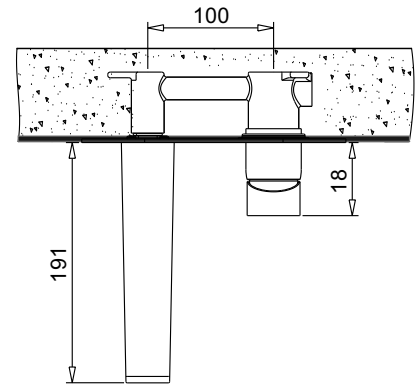
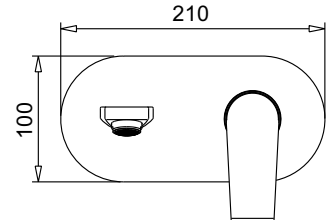
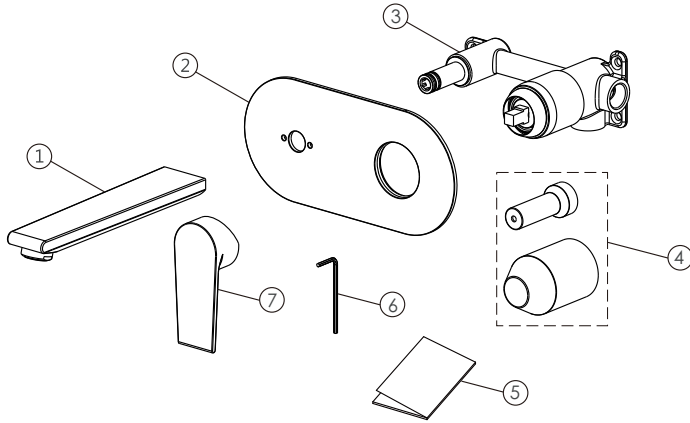
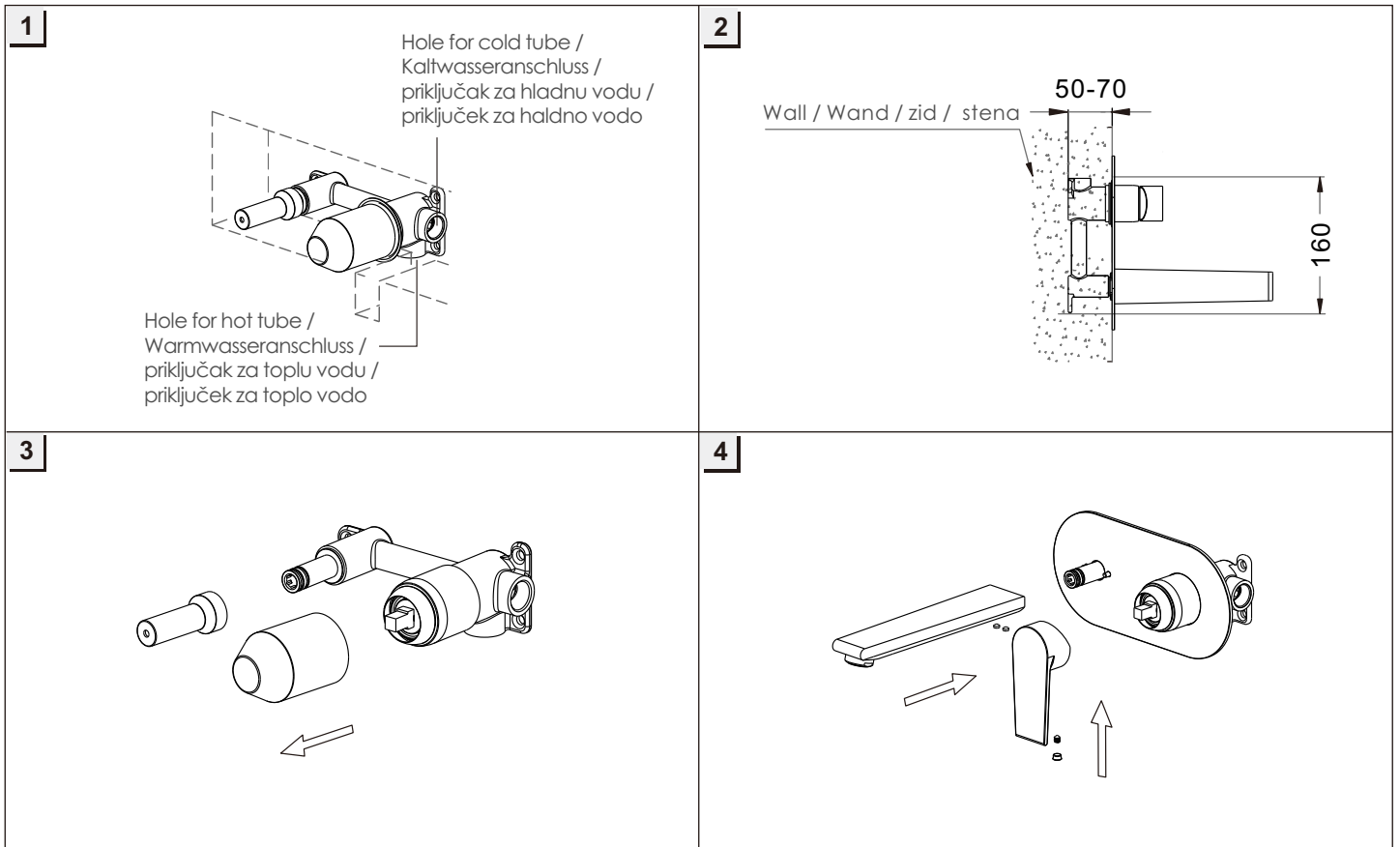


Installation instruction Montageanleitung Upute za montažu Navodila za montažo



No./Nr./Br./Št.	Part name/Bezeichnung/Naziv/Ime:	Qty/ Stk/ Kol/ kos:
1	Spout / Auslauf / izljev / izliv	1
2	Plate / Maske / maska / maska	1
3	Body Assy / Unterputzkörper / podžbukno tijelo / podometno telo	1
4	Protective cover / Schutzhülle / zaštitna navlaka / zaštitni pokrov	2
5	Instruction / Montageanleitung / Upute za montažu / navodila za montažo	1
6	Tool / Inbusschlüssel / Imbus ključ / Imbus ključ	1
7	Handle / Griff / Ručkica / Ročka	1

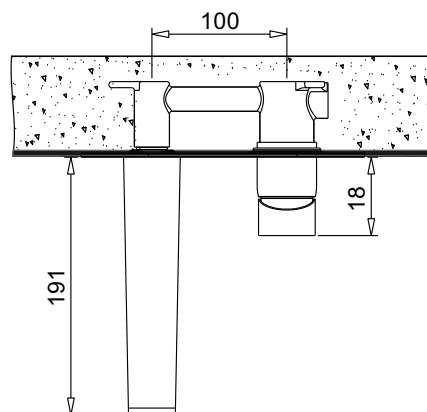
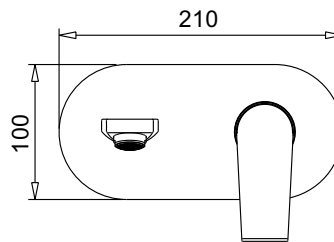
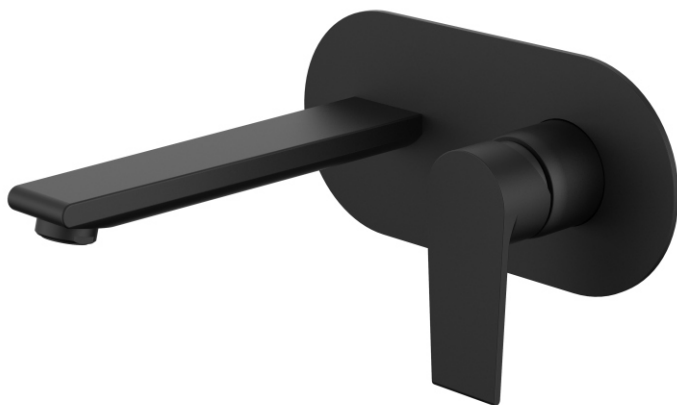


TEA BLACK

VOXORT Single lever basin mixer for concealed installation with spout, wall-mounted TEA BLACK

VOXORT miješalica podžbukna za umivaonik TEA BLACK

Order no / Šifra: V99365



TECHNICAL DATA / TEHNIČKI LIST		
Order no. / Šifra	V99365	SPECIFICATION TEXT <ul style="list-style-type: none"> · basin mixer · With concealed body · wall installation · 35mm ceramic cartridge · plate 210 x 100mm SPECIFIKACIJA <ul style="list-style-type: none"> · miješalica za umivaonik · sa podžbuknim tijelom · zidna montaža · 35mm keramička kartuša · Rozeta 210 x 100mm
Connection / priključak	1/2" concealed body 1/2" podžbukno tijelo	
Spout length / izljev	191mm	
Minimum pressure / minimalni tlak	5L/min (3 bar)	
Surface finish / boja	Black / crna	

Fero-Term d.o.o.
Gospodarska 17,
10255 D.Stupnik, HR
Tel.+385 1 4555 535
info@fero-term.hr

Fero-Term - Slovenia
Kajuhova 32T
10000 Ljubljana, SLO
info@fero-term.si

Servis:
Fero-Term d.o.o.
Gospodarska 17,
10255 D.Stupnik, HR
Tel.+385 1 4555 535
servis@fero-term.hr