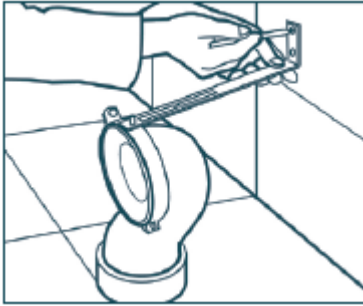


Assembly guide of back to wall toilet DESIRE

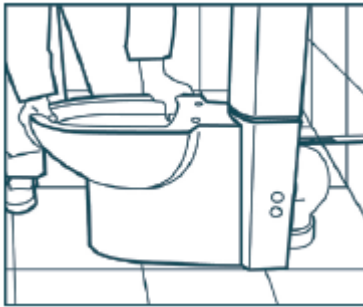
Upute za montažu monobloka DESIRE

Connection vertical to the floor / Montaža u pod



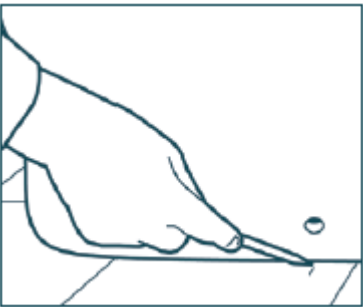
„S“ bend is mounted to its place and attached to the wall with the metal sheet bar.

Priključak „S“ montira se na svoje mjesto i pričvršćuje na zid pomoću metalne šipke.



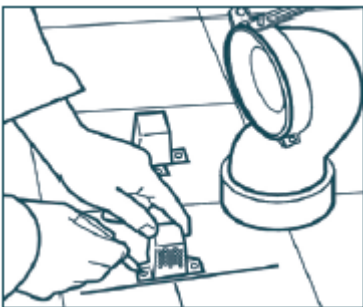
Toilet is temporarily put into its place.

Školjku privremeno postavite na svoje mjesto.



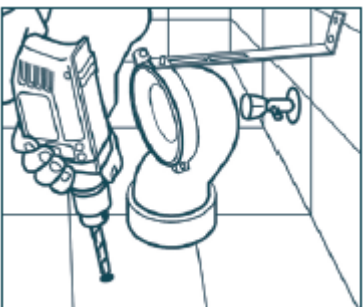
Toilet frame is marked on the floor. Side installation hole axis is also marked on the floor.

Okvir WC školjke a označen je na podu. Osovina bočne rupe za ugradnju također je označena na podu.



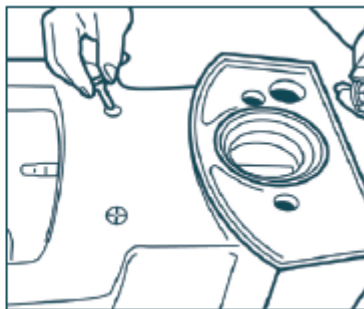
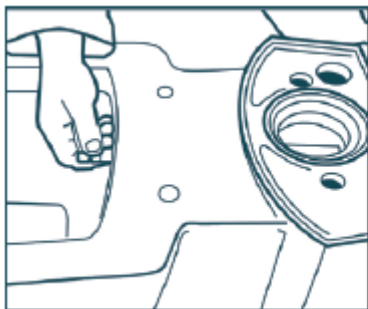
Toilet is removed from its place and puller mounting component is put on the floor in a way to center the hole axis.

Školjku maknuti a montažni element koji se izvlači postavlja na tlo na način da centrira osi rupa.

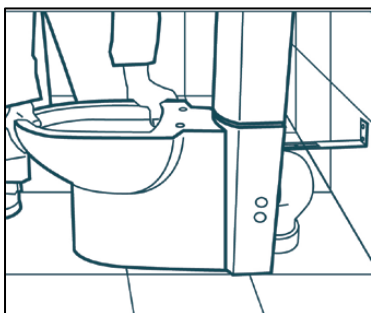


Holes are drilled with a suitable drill and fixing plugs are driven. Plastic mounting component is mounted on the floor.

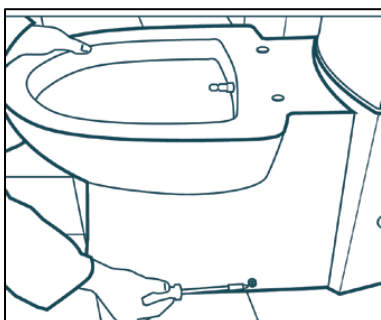
Rupe se buše odgovarajućom bušilicom i zabijaju se pričvrсни čepovi. Plastična montažna komponenta montira se na pod.



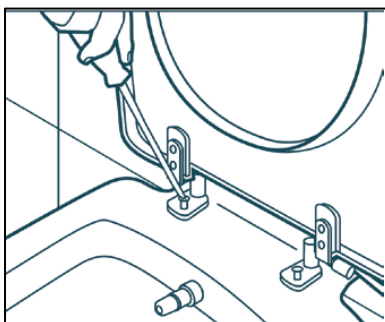
Screws for Cistern and toilet seat are mounted and water leakage test is performed.
Vijci za vodokotlić i wc dasku montirati, te ispitati na propuštanje vode.



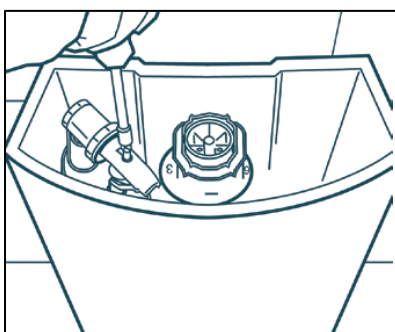
After connecting the cistern, connect the monobloc to the drainage pipe
Nakon spajanja vodokotlića, spojite monoblok sa odvodnom cijevi.



Tighten the screws.
Pričvrstite vijcima.



Install the toilet seat according to the toilet seat instructions
Prema uputama WC daske montirajte WC dasku



Connect the drain and valves according to the valve instructions.
Spojite izljevni i uljevni ventil prema uputama ventila.