

# Data sheet



## Filling valve set

- for 2H concealed cistern, Standard 2S concealed cistern

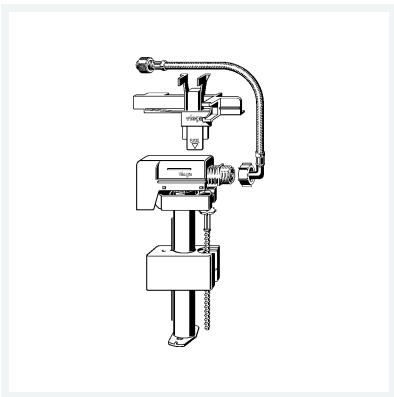
### Components

Filling valve, flexible hose, filling valve holder

- fig. 31

**Model 8310.75**

**Article 718 152**



## Properties

Weight	0.635 lb
Volume	12432 cm <sup>3</sup>
Material	plastic