

## Crometta

### Shower set 100 1jet with shower bar 65 cm

Finish: **White/Chrome** Article Number: **26533400**



#### Description

##### product features

- consists of: hand shower, shower bar, shower hose, slider
- shower head size: 100 mm
- spray type: Rain
- hand shower holder inclination angle can be adjusted by 45°
- maximum flow rate at 3 bar: 14 l/min
- minimum flow pressure: 1 bar
- operating pressure: min. 1 bar/max. 6 bar
- pivot connector prevents hose from tangling
- wall mounting: screw fastening
- wall supports made of plastic
- pipe length: 669 mm
- shower bar diameter: 22 mm
- profile pipe: round
- drilling distance 625 mm

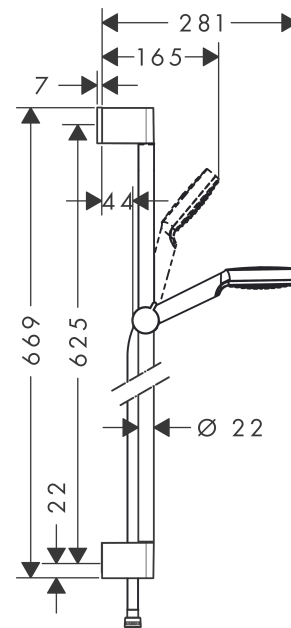
#### Technology



#### Product image



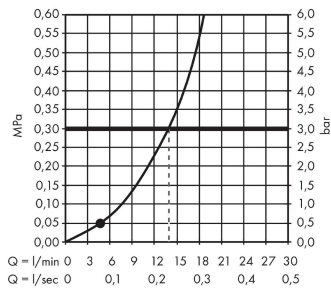
#### Scale drawing



**Crometta**  
**Shower set 100 1jet with shower bar 65 cm**  
 Finish: **White/Chrome** Article Number: **26533400**



**Flowchart**



The consumption was measured in combination with the appropriate fittings (thermostat/mixer/in-wall valve) to reflect actual application in practice.

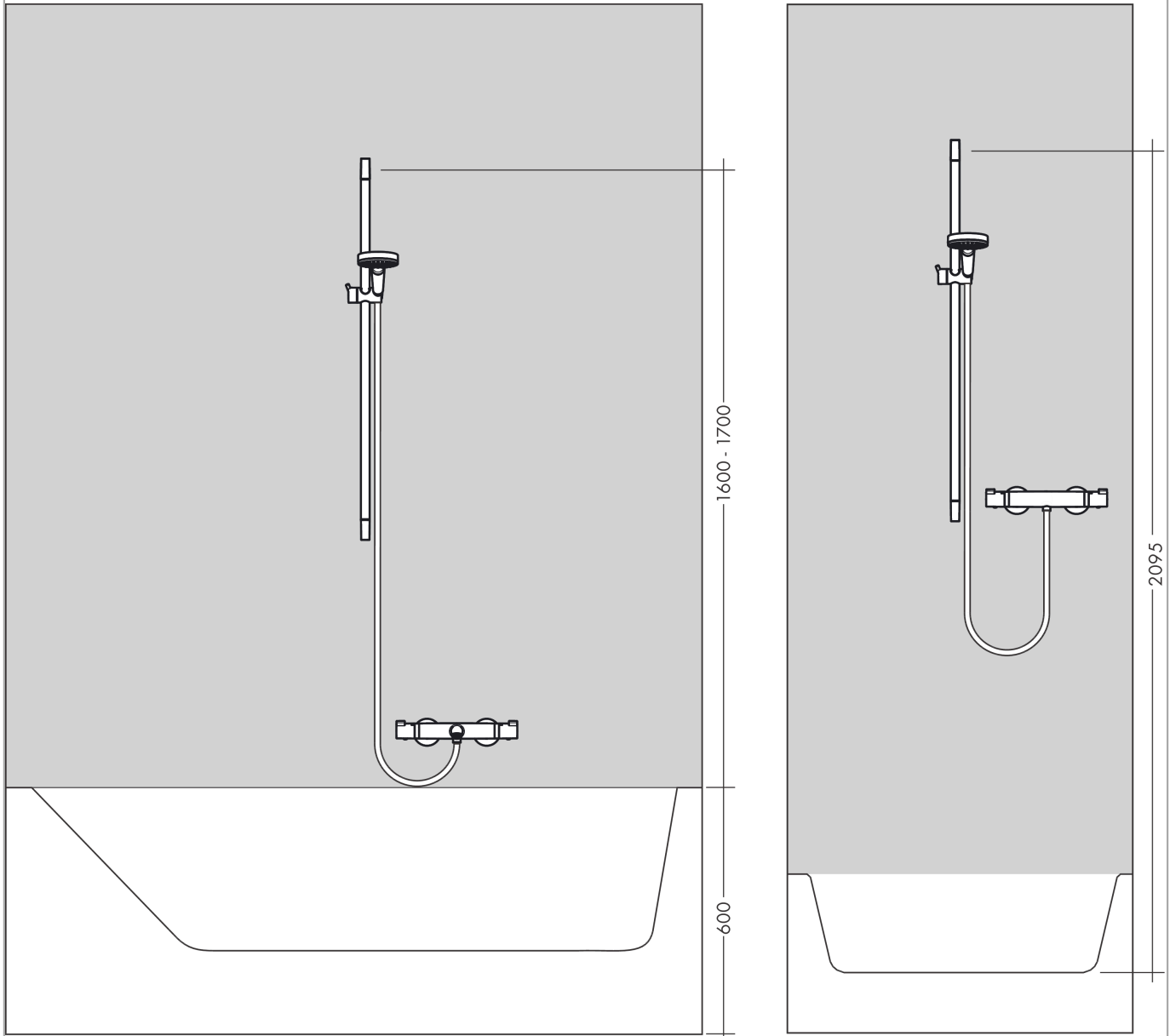
**Crometta**

**Shower set 100 1jet with shower bar 65 cm**

Finish: **White/Chrome** Article Number: **26533400**



**Installation examples**



**Crometta**

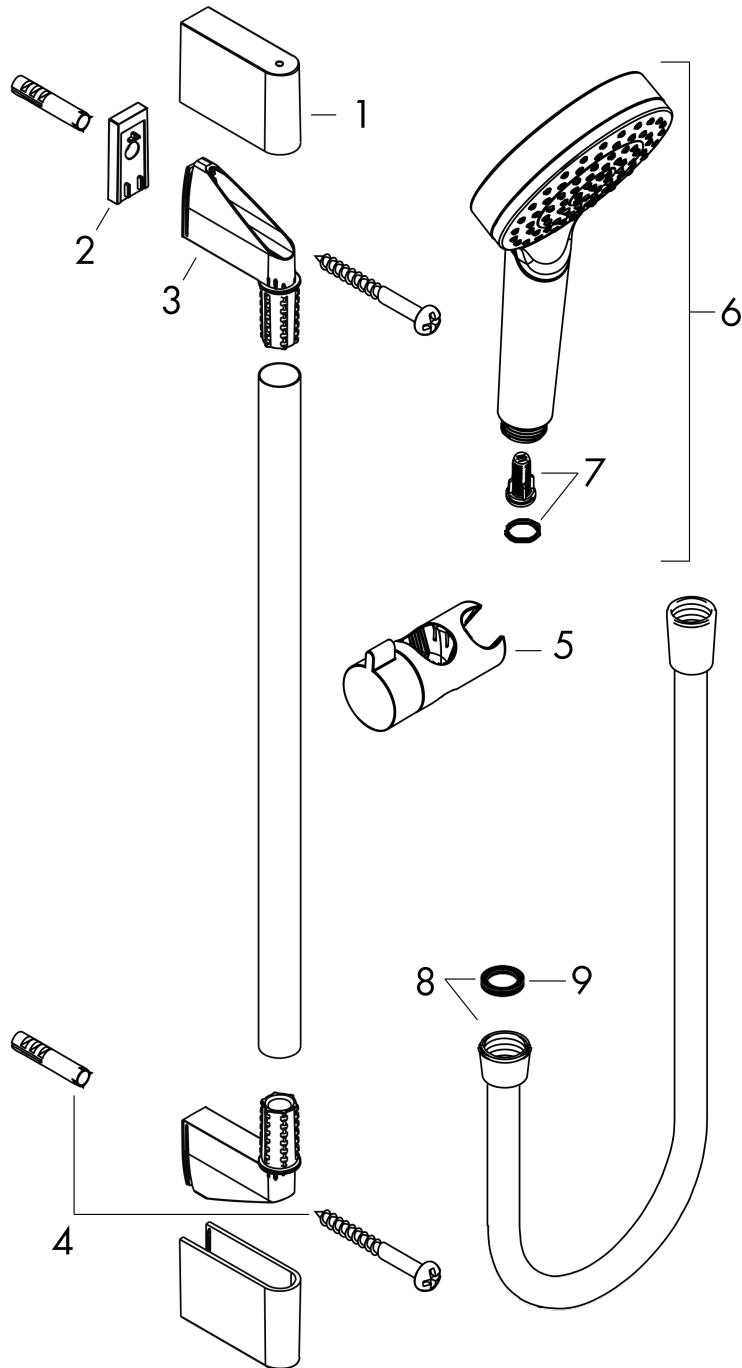
**Shower set 100 1jet with shower bar 65 cm**

Finish: **White/Chrome** Article Number: **26533400**



**Exploded Drawing**

Year of production: >11/21



## Focus

### Single lever basin mixer 100 with pop-up waste set

Finish: **Chrome** Article Number: **31607000**



## Description

### product features

- consists of: single lever basin mixer, waste set
- ComfortZone 100
- projection: 119 mm
- spout height: 94 mm
- spray type: normal spray
- maximum flow rate at 3 bar: 5 l/min
- ceramic cartridge
- temperature limitation adjustable
- suitable for continuous flow water heaters
- pop-up waste set G 1¼
- material waste set: metal
- connection type: G ¾ connections
- connection dimension: DN15

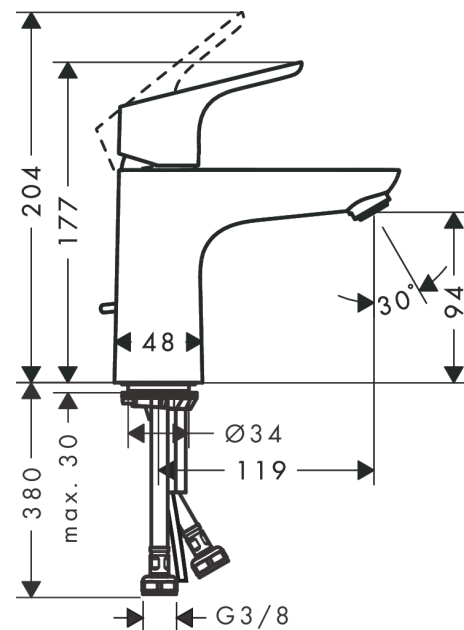
## Technology



## Product image



## Scale drawing



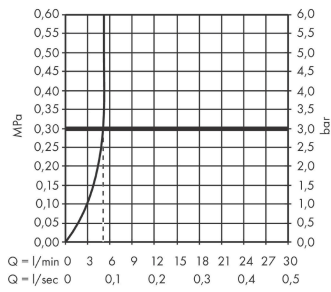
**Focus**

**Single lever basin mixer 100 with pop-up waste set**

Finish: **Chrome** Article Number: **31607000**



**Flowchart**



## Focus

### Single lever shower mixer for exposed installation

Finish: **Chrome** Article Number: **31960000**



## Description

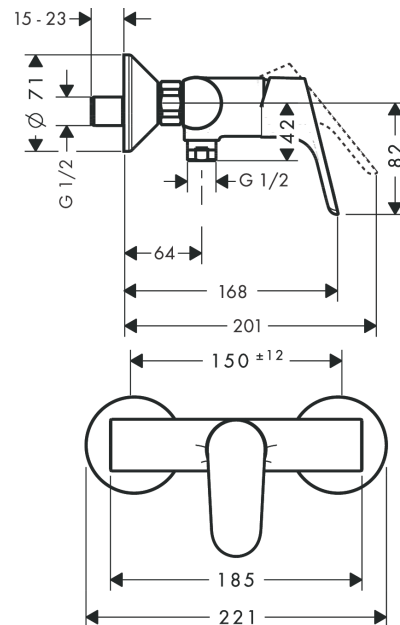
### product features

- 1 function
- centre distance:  $150 \pm 12$  mm
- maximum flow rate at 3 bar: 15 l/min
- flow rate of hand shower at 3 bar: 15 l/min
- ceramic cartridge
- temperature limitation adjustable
- non-return valve
- with silencer
- hose connection DN15
- connection dimension: DN15
- min. operating pressure: 1 bar
- max. operating pressure: 10 bar
- connection type: s-shaped connections

## Product image



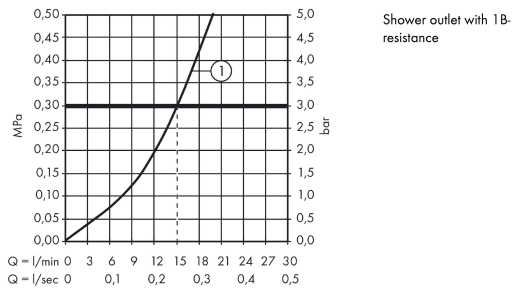
## Scale drawing



**Focus**  
**Single lever shower mixer for exposed installation**  
 Finish: **Chrome** Article Number: **31960000**



**Flowchart**



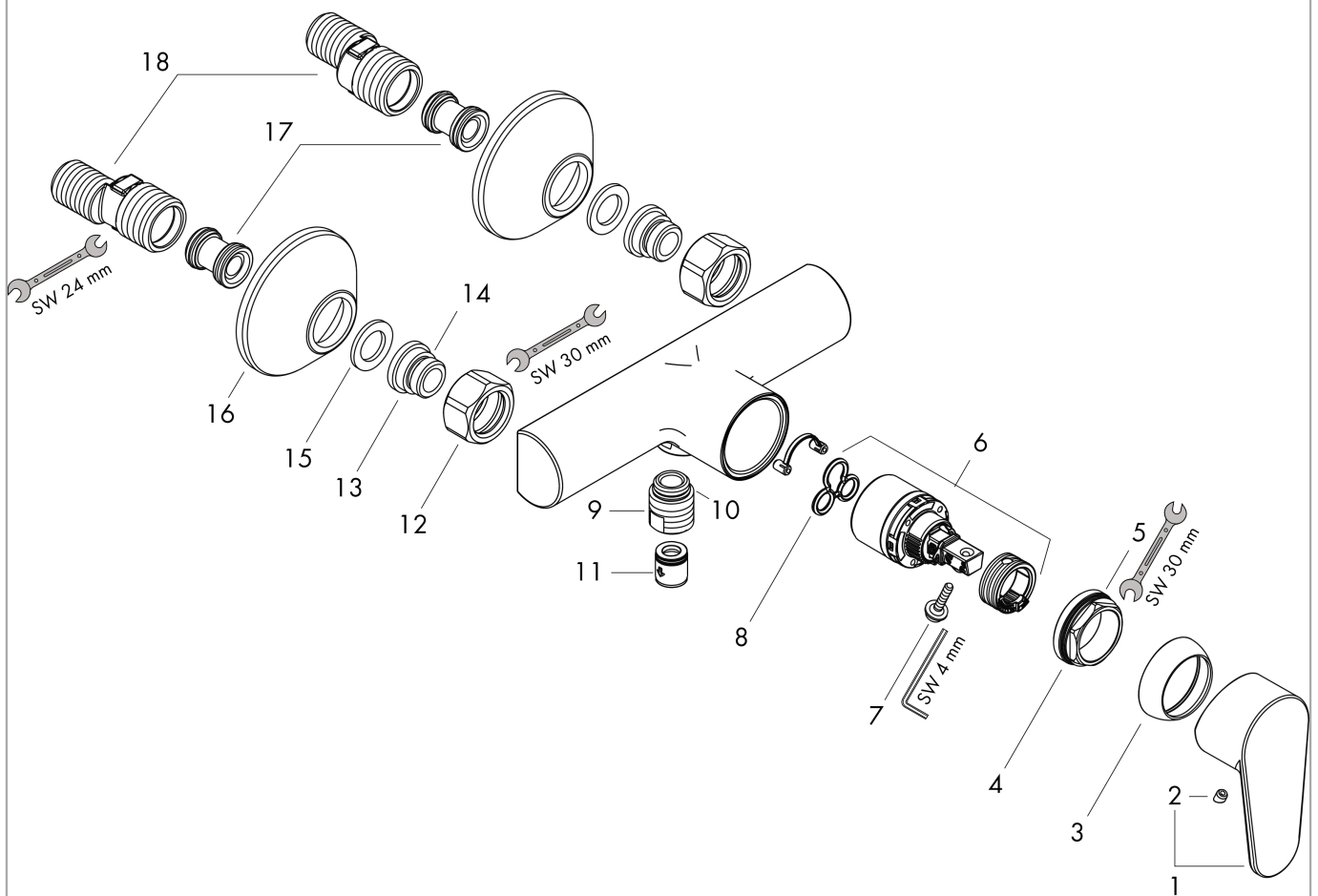


**Focus**  
**Single lever shower mixer for exposed installation**  
 Finish: **Chrome** Article Number: **31960000**



**Exploded Drawing**

Year of production: >10/08



## Focus

### Single lever shower mixer for exposed installation

Finish: **Chrome** Article Number: **31960000**



## Spare part list

Year of production: >10/08

Pos.	Description	Article Number	Price	PU
1	handle	98532000	€ 28,92	1
2	screw cover	96338000	€ 3,33	1
3	flange	97406000	€ 18,80	1
4	nut	97209000	€ 14,28	1
5	O-Ring 32x2	98193000	€ 3,33	1
6	cartridge, assy	92730000	€ 58,67	1
7	locking screw for handle	95140000	€ 5,36	1
8	seal	95008000	€ 8,69	1
9	Hose Connection	96044000	€ 22,97	1
10	O-ring 14x2	98129000	€ 3,33	1
11	set of non return valves DW 15	94074000	€ 14,28	1
12	set of nuts	96157000	€ 28,92	1
13	connecting thread	97220000	€ 14,28	1
14	O-ring 15x2	98163000	€ 3,33	1
15	filter packing	96922000	€ 8,69	1
16	escutcheon Ø 70 mm	94135000	€ 11,66	1
17	noise reduction	96429000	€ 5,36	1
18	set of S-unions (±12 mm)	94140000	€ 45,82	1
a	set of S-unions (±32 mm)	98592000	€ 36,89	1