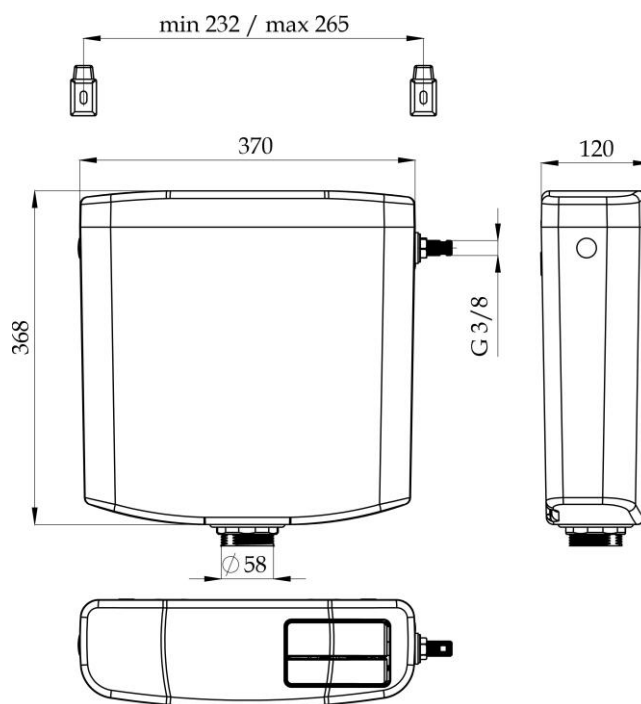


**CONCEPTO plastic toilet cistern KRKA - ECO 2,5/5L**  
**CONCEPTO vodokotlić nadžbukni KRKA - ECO 2,5/5L**  
**Order no. / Šifra: V96987**



## Technical data / Tehnički list

**Dimension:** W: 370mm x H: 368mm x D: 120mm

**Color:** white

**Weight:** ca. 1,95 kg  
 EN 14124, EN 14055

- for low mounting  
 - amount of rinsing water: 2.5 / 5L

- low noise  
 - Two-volume rinsing  
 - insulated against condensation  
 - supply pipe connection  
 - water connection on the side

- elbow 90 ° from ABS, Ø 50/44 mm, 23 x 23 cm  
 - EPDM seal, Ø 44/55 mm  
 - fastening material

**Dimenzije:** Š: 370mm x V: 368mm x D: 120mm

**Boja:** bijela

**Težina:** ca. 1,95 kg  
 EN 14124, EN 14055

- za nisku montažu  
 - količina vode za ispiranje: 2,5 / 5L

- niskošumno  
 - Dvokoličinsko ispiranje  
 - izolirano protiv kondenzacije  
 - priključak isplavne cijevi steznim spojem  
 - priključak vode bočno

- koljeno 90° od ABS-a, Ø 50 / 44 mm, 23 x 23 cm  
 - EPDM brtva, Ø 44/55 mm  
 - pričvrtni materijal

Fero-Term d.o.o.  
 Gospodarska 17,  
 10255 D. Stupnik, HR  
 Tel.+385 1 434 3116  
[info@fero-term.hr](mailto:info@fero-term.hr)

Fero-Term - Slovenia  
 Kajuhova 32T  
 10000 Ljubljana, SLO  
[info@fero-term.si](mailto:info@fero-term.si)

Servis:  
 Fero-Term d.o.o.  
 Gospodarska 17,  
 10255 D. Stupnik, HR  
 01/ 434-3116  
[servis@fero-term.hr](mailto:servis@fero-term.hr)