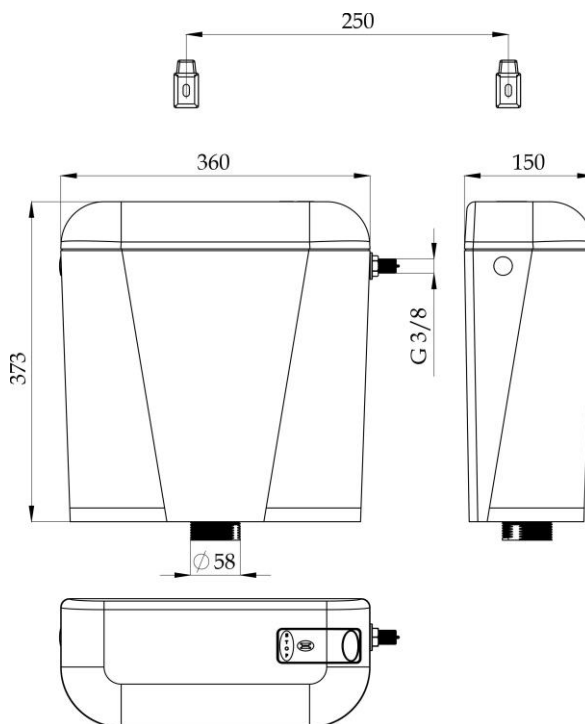


CONCEPTO plastic toilet cistern CETINA - START/STOP  
 CONCEPTO vodokotlić nadžbukni CETINA - START/STOP  
 Order no. / Šifra: V96986



## Technical data / Tehnički list

**Dimension:** W: 360mm x H: 373mm x D: 150mm

**Color:** white

**Weight:** ca. 2,1 kg

EN 14124, EN 14055

- for low mounting
- amount of rinsing water: 6L / 9L
- low noise
- Start/Stop rinsing
- insulated against condensation
- supply pipe connection
- water connection on the side

- elbow 90 ° from ABS, Ø 50/44 mm, 23 x 23 cm
- EPDM seal, Ø 44/55 mm
- fastening material

**Dimenzije:** Š: 360mm x V: 373mm x D: 150mm

**Boja:** bijela

**Težina:** ca. 2,1 kg

EN 14124, EN 14055

- za nisku montažu
- količina vode za ispiranje: 6L / 9L
- niskošumno
- Start/Stop ispiranje
- izolirano protiv kondenzacije
- priključak isplavne cijevi steznim spojem
- priključak vode bočno

- koljeno 90°od ABS-a, Ø 50 / 44 mm, 23 x 23 cm
- EPDM brtva, Ø 44/55 mm
- pričvrсни materijal

Fero-Term d.o.o.  
 Gospodarska 17,  
 10255 D.Stupnik, HR  
 Tel.+385 1 434 3116  
[info@fero-term.hr](mailto:info@fero-term.hr)

Fero-Term - Slovenia  
 Kajuhova 32T  
 10000 Ljubljana, SLO  
[info@fero-term.si](mailto:info@fero-term.si)

Servis:  
 Fero-Term d.o.o.  
 Gospodarska 17,  
 10255 D. Stupnik, HR  
 01/ 434-3116  
[servis@fero-term.hr](mailto:servis@fero-term.hr)