

## Crometta

### Shower set 100 1jet with shower bar 65 cm

Finish: **White/Chrome** Article Number: **26533400**



#### Description

##### product features

- consists of: hand shower, shower bar, shower hose, slider
- shower head size: 100 mm
- spray type: Rain
- hand shower holder inclination angle can be adjusted by 45°
- maximum flow rate at 3 bar: 14 l/min
- minimum flow pressure: 1 bar
- operating pressure: min. 1 bar/max. 6 bar
- pivot connector prevents hose from tangling
- wall mounting: screw fastening
- wall supports made of plastic
- pipe length: 669 mm
- shower bar diameter: 22 mm
- profile pipe: round
- drilling distance 625 mm

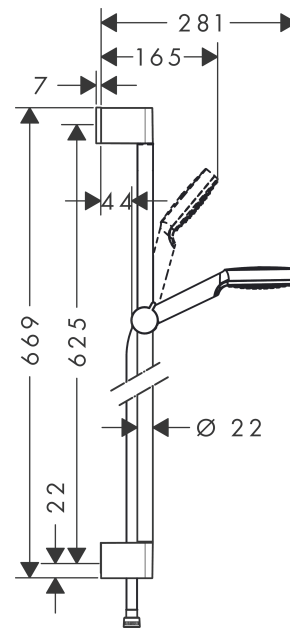
#### Technology



#### Product image



#### Scale drawing



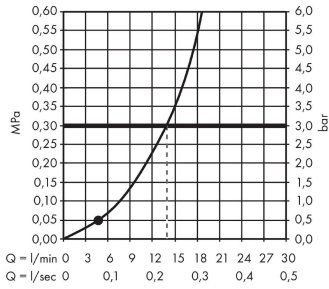
**Crometta**

**Shower set 100 1jet with shower bar 65 cm**

Finish: **White/Chrome** Article Number: **26533400**



**Flowchart**



The consumption was measured in combination with the appropriate fittings (thermostat/mixer/in-wall valve) to reflect actual application in practice.

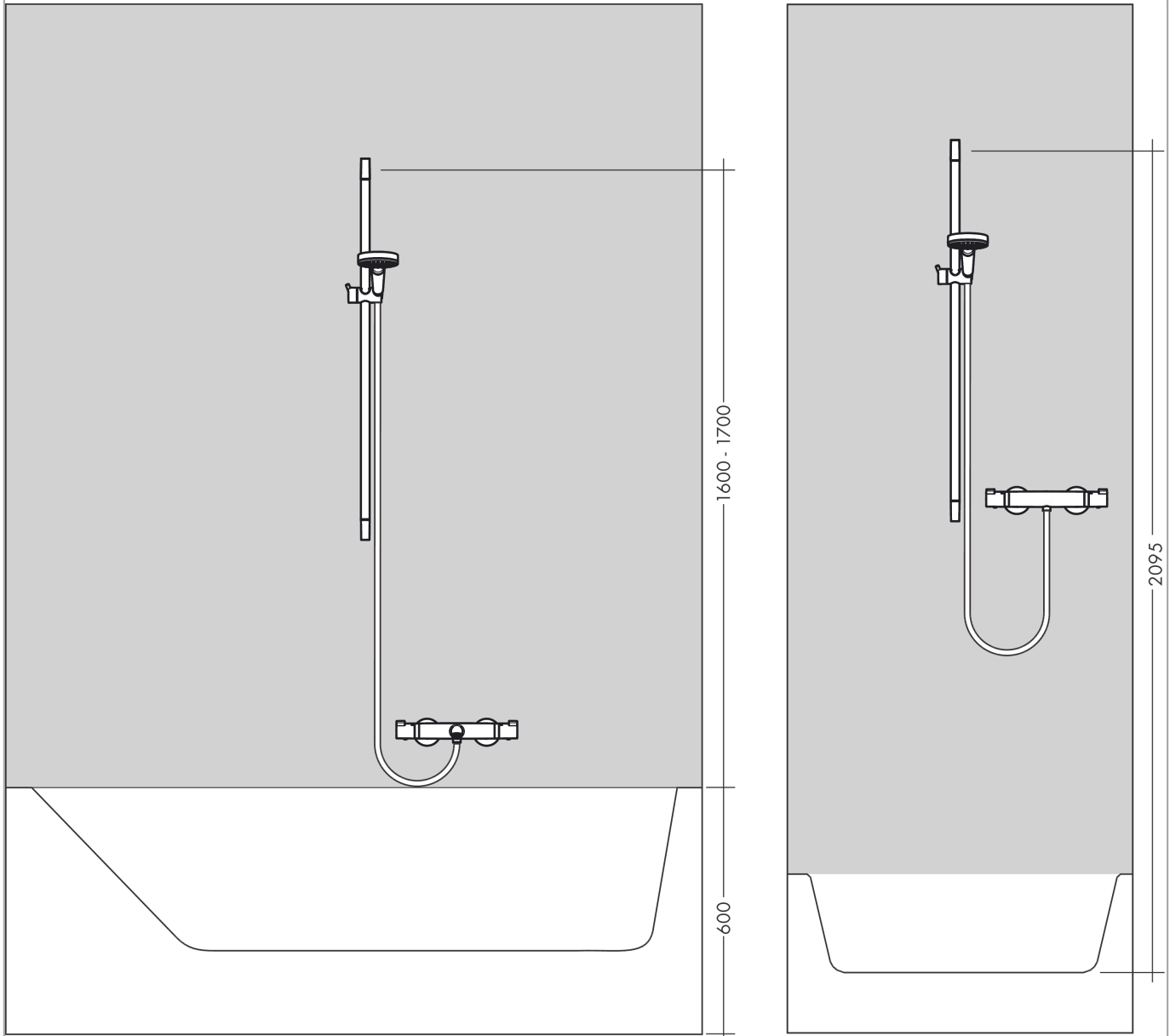
**Crometta**

**Shower set 100 1jet with shower bar 65 cm**

Finish: **White/Chrome** Article Number: **26533400**



Installation examples



**Crometta**

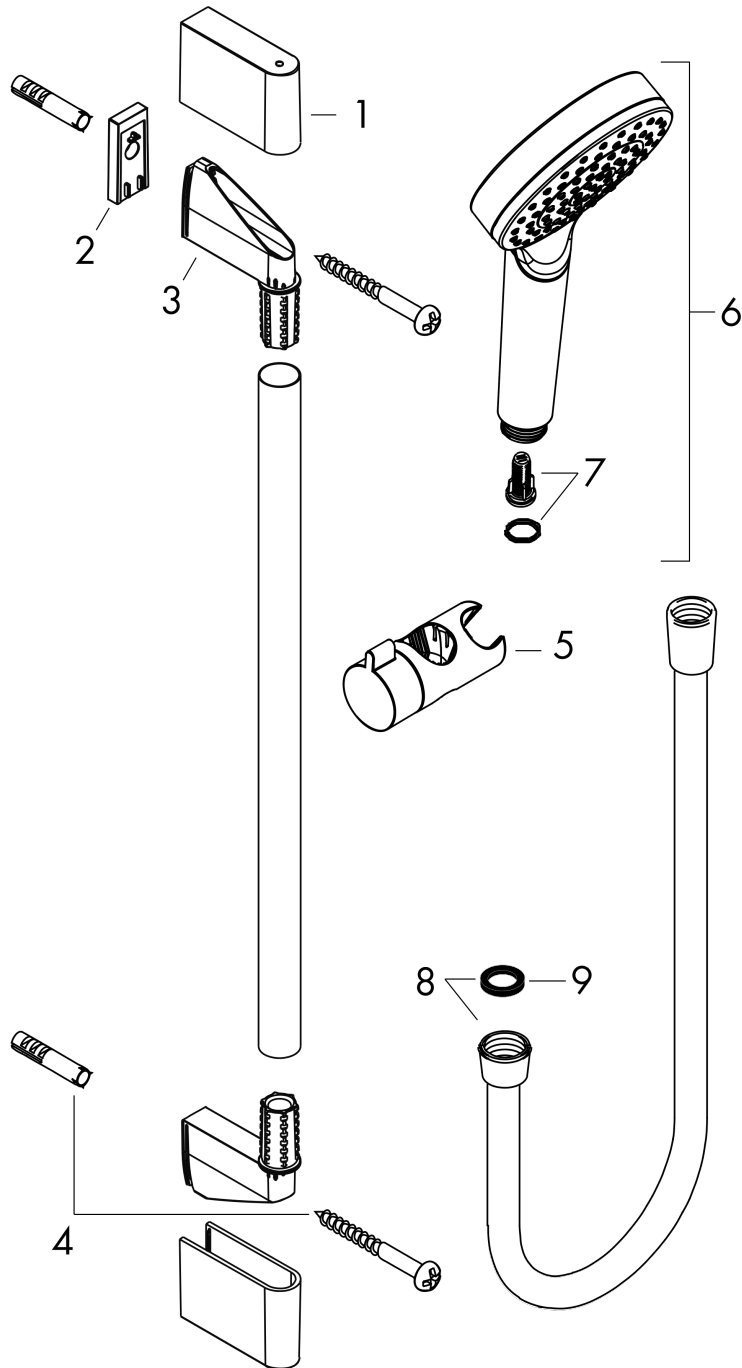
**Shower set 100 1jet with shower bar 65 cm**

Finish: **White/Chrome** Article Number: **26533400**



**Exploded Drawing**

Year of production: >11/21



## Focus

### Single lever basin mixer 100 with pop-up waste set

Finish: **Chrome** Article Number: **31607000**



## Description

### product features

- consists of: single lever basin mixer, waste set
- ComfortZone 100
- projection: 119 mm
- spout height: 94 mm
- spray type: normal spray
- maximum flow rate at 3 bar: 5 l/min
- ceramic cartridge
- temperature limitation adjustable
- suitable for continuous flow water heaters
- pop-up waste set G 1¼
- material waste set: metal
- connection type: G ¾ connections
- connection dimension: DN15

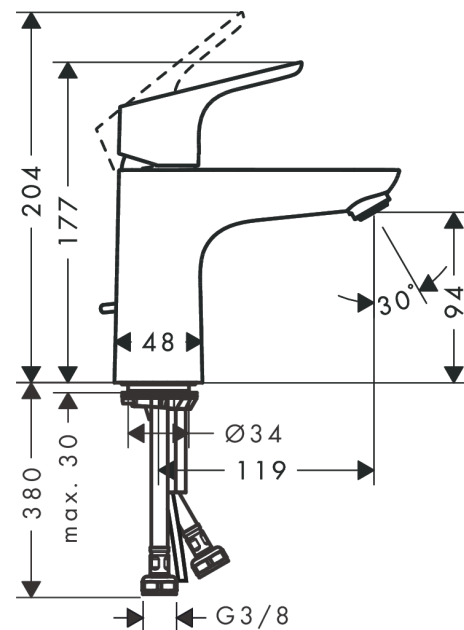
## Technology



## Product image



## Scale drawing



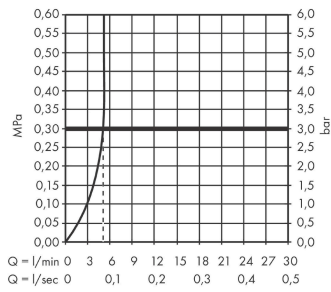
**Focus**

**Single lever basin mixer 100 with pop-up waste set**

Finish: **Chrome** Article Number: **31607000**



**Flowchart**



## Focus

### Single lever bath mixer for exposed installation

Finish: **Chrome** Article Number: **31940000**



## Description

### product features

- 2 functions
- projection: 180 mm
- centre distance: 150 ± 12 mm
- spray type mixer: normal spray
- maximum flow rate at 3 bar: 19,8 l/min
- flow rate for bath spout at 3 bar: 19,8 l/min
- flow rate of hand shower at 3 bar: 15,4 l/min
- ceramic cartridge
- temperature limitation adjustable
- diverter with automatic resetting
- protected against backflow, according to DIN EN 1717
- with silencer
- suitable for continuous flow water heaters
- connection dimension: DN15
- connection type: s-shaped connections
- min. operating pressure: 1 bar
- max. operating pressure: 10 bar

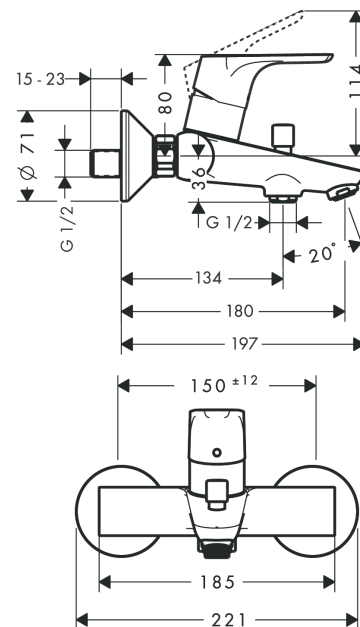
## Technology



## Product image



## Scale drawing



**Focus**

**Single lever bath mixer for exposed installation**

Finish: **Chrome** Article Number: **31940000**



**Flowchart**

