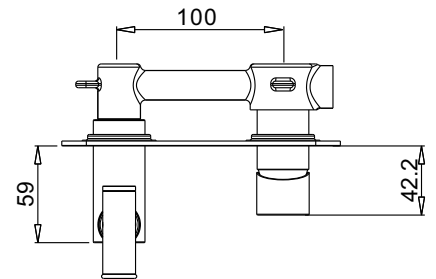
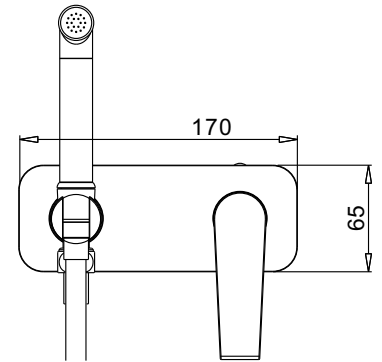
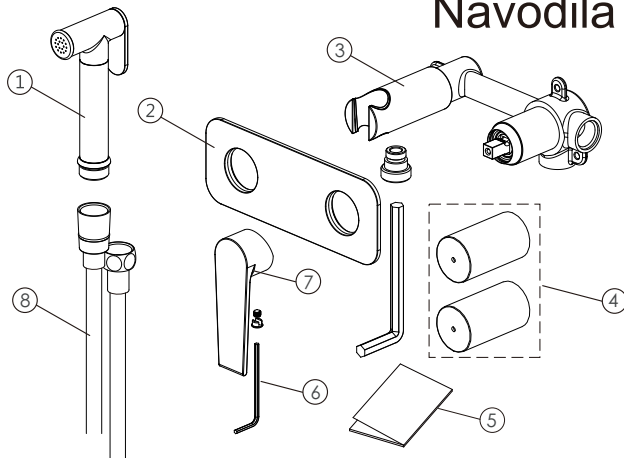
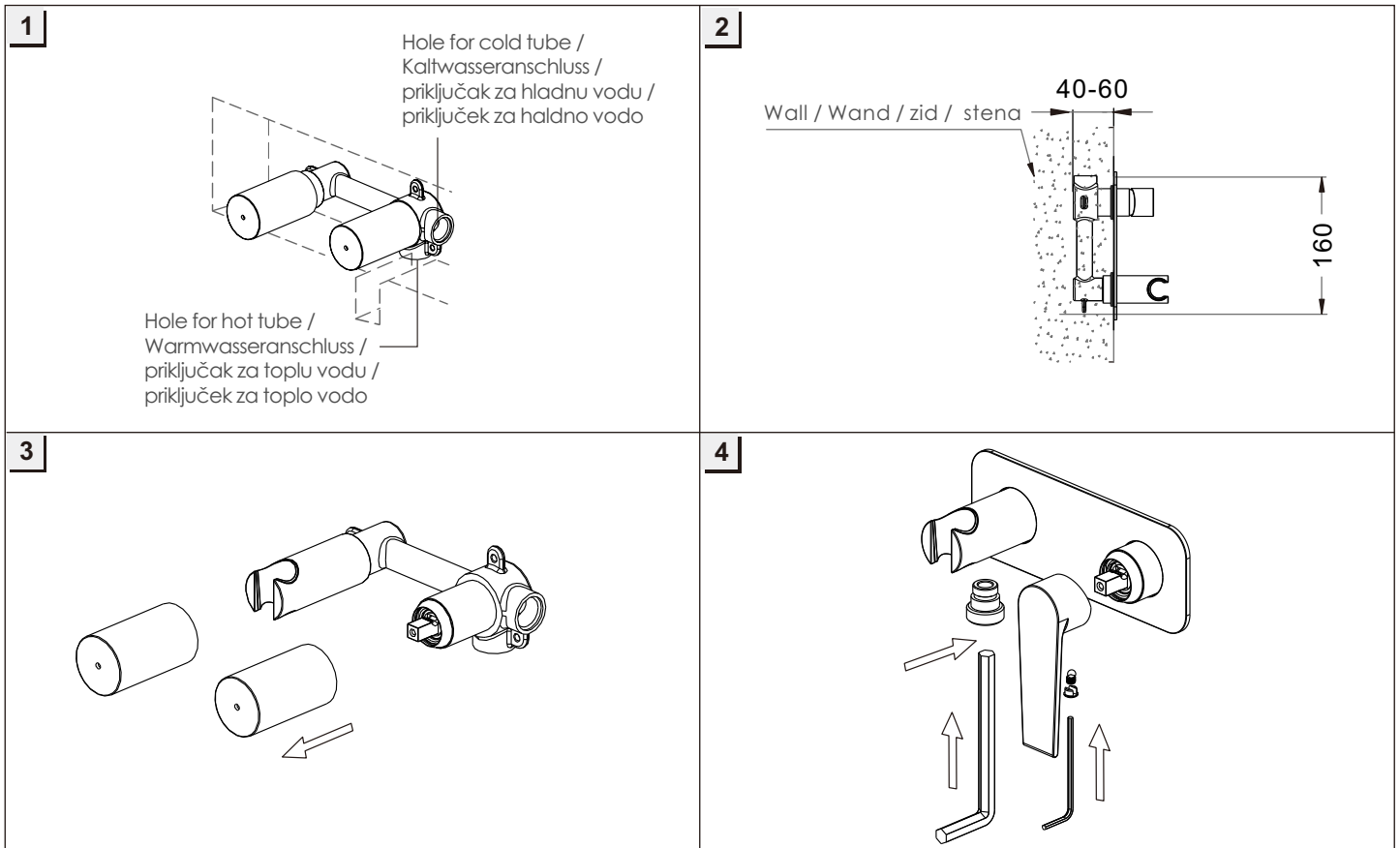


Installation instruction Montageanleitung Upute za montažu Navodila za montažo



No./Nr./Br./Št.	Part name/Bezeichnung/Naziv/Ime:	Qty/ Stk/ Kol/ kos:
1	Handle shower/ Handbrause/ tuš slušalica/ ročna prha	1
2	Plate / Maske / maska / maska	1
3	Body Assy / Unterputzkörper / podžbukno tijelo / podometno telo	1
4	Protective cover / Schutzhülle / zaštitna navlaka / zaštitni pokrov	2
5	Instruction / Montageanleitung / Upute za montažu / navodila za montažo	1
6	Tool / Inbusschlüssel / Imbus ključ / Imbus ključ	2
7	Handle / Griff / Ručica / Ročka	1
8	Hose/ Brauseschlauch/ tuš crijevo/ tuš črevo	1

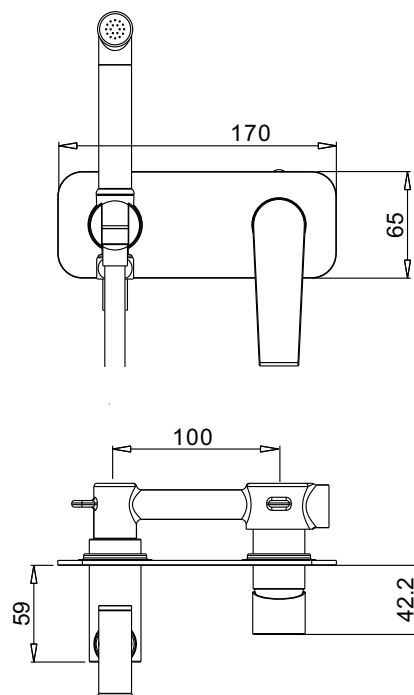


TEA BLACK

VOXORT bidet Single lever mixer for concealed installation with spout TEA BLACK

VOXORT jednoručna miješalica za bide TEA BLACK

Order no / Šifra: V454701



TECHNICAL DATA / TEHNIČKI LIST		
Order no. / Šifra	V454701	SPECIFICATION TEXT <ul style="list-style-type: none"> · Bidet single-lever mixer · With concealed body · wall installation · 35mm ceramic cartridge plate 170 x 65mm SPECIFIKACIJA <ul style="list-style-type: none"> · jednoručna miješalica za bide sa podžbuknim tijelom · zidna montaža · 35mm keramička kartuša · Rozeta 170 x 65mm
Connection / priključak	1/2" concealed body 1/2" podžbukno tijelo	
Minimum pressure / minimalni tlak	5L/min (3 bar)	
Surface finish / boja	Black / crna	

Fero-Term d.o.o.
Gospodarska 17,
10255 D.Stupnik, HR
Tel.+385 1 4555 535
info@fero-term.hr

Fero-Term - Slovenia
Kajuhova 32T
10000 Ljubljana, SLO
info@fero-term.si

Servis:
Fero-Term d.o.o.
Gospodarska 17,
10255 D.Stupnik, HR
Tel.+385 1 4555 535
servis@fero-term.hr