



CONEKTA METAL HANDLE

Simple, quick and solid installation.

- Brass body made of one single piece, which assures tightness.
- VITAQ system, more life less lime at higher temperatures.
- Metallic NOVA handle for a longer resistance.
- Thanks to the 3/8 female loose nut, the valve can be rotated 360° and fixed in the desired position.
- Both, handle and 3/4 outlet are on an inclined plane for easier access and connection.



DATA SHEET CONEKTA METAL HANDLE

PRODUCT DESCRIPTION:

Conekta is a 1/4 turn valve designed to be used in domestic plumbing installations. It can be connected to any 3/8 male thread and thus obtaining an additional 3/4 water outlet in a very simple way.

PRODUCT SCOPE:

Stop valve for all domestic appliances with a 3/4 connector, such as washing machine, dishwasher or a hose.

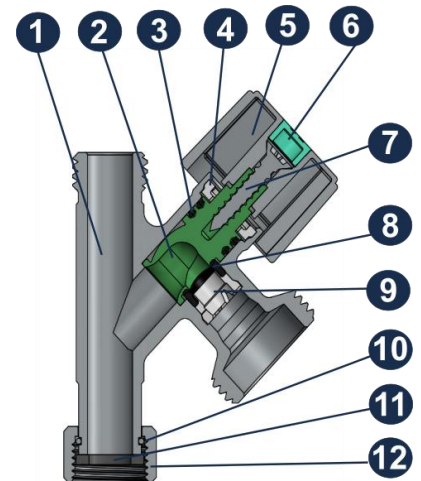
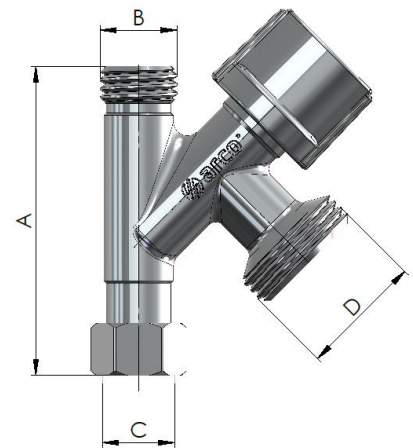
GENERAL DIMENSIONS, PRESSURE AND TEMPERATURE:

Code	A (mm)	B	C	D	Weight (gr)	PN (bar)	Temp (°C)
280015	67	3/8"	3/8"	3/4"	-	16	0-95

Thread according to ISO228
* Excluded frozen.

MATERIALS:

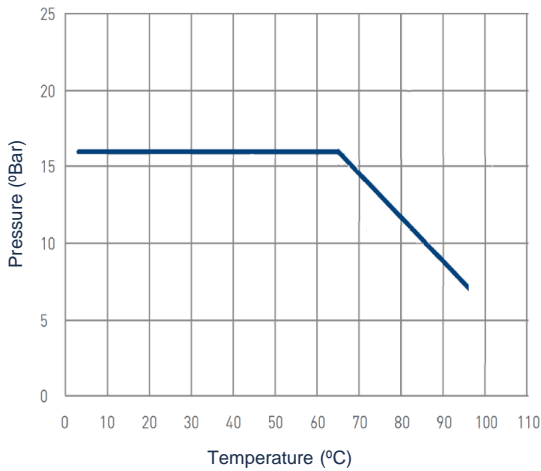
Item	Component	Material	Treatment
1	Body	CW617N	CHROME PLATING
2	Stem	POM	-
3	O-ring	NBR	-
4	Supporting Clip	POM	-
5	Handle	METAL	CHROME PLATING
6	Index	ABS	-
7	Screw	Inox	-
8	Seat	NBR	-
9	Supporting Clip	POM	-
10	Metal Ring	Inox	-
11	Washer	NBR	-
12	Nut	CW614N	CHROME PLATING



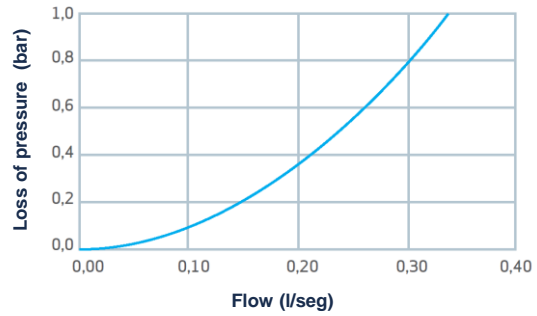


TECHNICAL DATA

Pressure vs temperature (body):



Hydraulic features/ Flow vs Loss of pressure



Size	3/8 -3/8-3/4 (outlet)
Kv	1,16

Kv (m³/h), cubic meters per hour that Flow through the valve producing a loss of pressure o 1 bar.

Fluid compatibility

Fluid	Compatibility
Water	Good

For other fluids, please contact our technical department.

INSTRUCCIONES DE INSTALACIÓN:

The installation of the valves must be done with the right tooling, it is highly recommended to use an 18 mm spanner. The tool must be fitted tightly to the flat faces of the nut, avoiding and excessive torque during the installation as it can deform and damage it. As the inlet use a flat joint connection, it must be tighten carefully avoiding an excessive torque than may damage it appearing leaks. All quarter turn handle valves must work totally open, as it may damage the closure and leaks appear. Components of the valve must not be altered. The substitution or disassembly of the handle can cause external leaks.



Every product has an impact on the environment during all stages of its life-cycle, including final disposal. All components of these valve can be recycled, deposit the valve in a green or recycled point when no longer useful. Valvulas ARCO, SL reserves the right to change our products and specifications at any time and without prior notice.