



valve A·80 original



TECHNICAL SHEET 07/2016 | IPO1010

SCOPE

A·80 series are 1/4 turn angle brass stem-ball valves designed for being connected to water pipe systems. They are used to shut off individually water supply to basins, sinks and other different water supply points to proceed to their repairing or replacement.

Some models add check valve to prevent water pollution by backflow of water.

A·80 are 1/4 turn valves.

SERVICE CONDITIONS

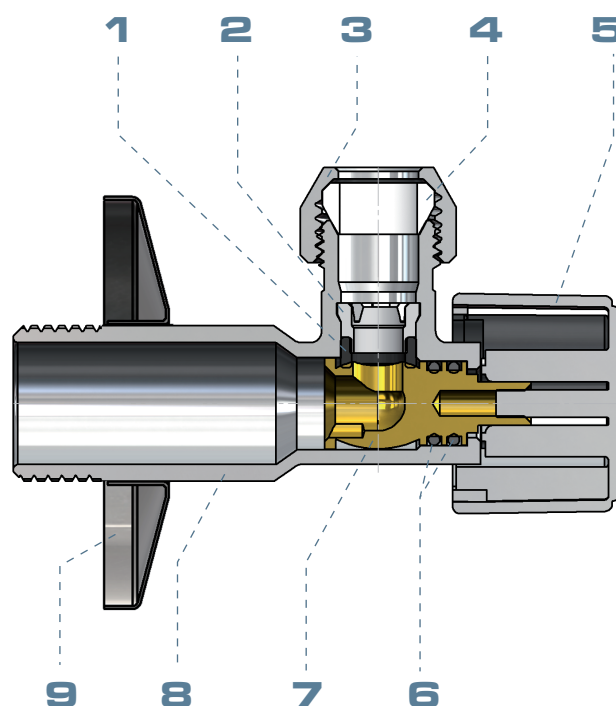
Nominal Pressure:	16 bar
Test Pressure:	25 bar
Temperature Range:	Cold and hot water until 95°
Fluid:	Drinking water and domestic hot water

COMPONENTS

Item	Component	Material	Treatment
1	Seat	NBR	
2	Supporting clip	POM	
3	Nut*	European Brass CW614N	Chrome plated**
4	Bicone*	Polyamide	
5	Handle	ABS	Chrome plated**
6	O-Rings	NBR	
7	Stem	European Brass CW614N	
8	Body	European Brass CW617N	Chrome plated**
9	Rosette	Stainless steel AISI 430	

* See models

** Polished finish in some models, see catalogue

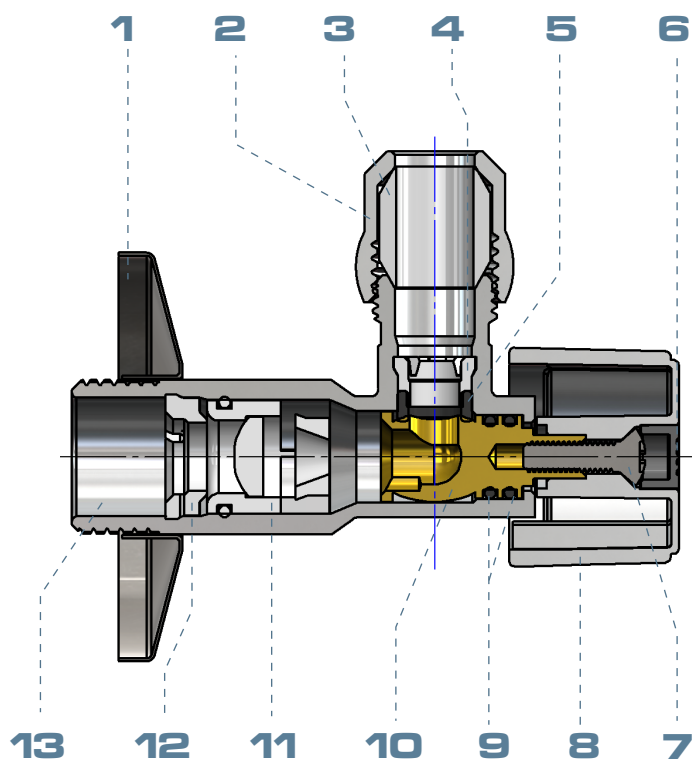




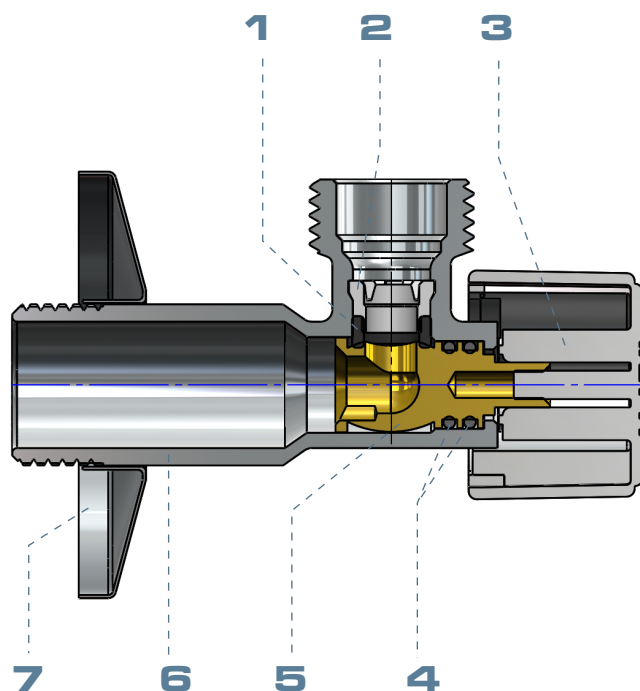
COMPONENTS

Item	Component	Material	Treatment
1	Rosette	Stainless steel AISI 430	
2	Nut	European Brass CW614N	Chrome plated*
3	Bicone	Polyamide	
4	Supporting clip	POM	
5	Seat	NBR	
6	Indicator	ABS	Blue and Red
7	Screw	Stainless steel	
8	Handle	Metal	Chrome plated*
9	O-Ring	NBR	
10	Stem-ball	European Brass CW614N	
11	Check valve		
12	Supporting clip	POM	
13	Body	European Brass CW617N	Chrome plated*

* Polished finish according to model, see catalogue



Item	Component	Material	Treatment
1	Seat	NBR	
2	Supporting clip	POM	
3	Handle	Metal	Chrome plated
4	O-rings	NBR	
5	Stem	European Brass CW614N	
6	Body	European Brass CW617N	Chrome plated
7	Rosette	Stainless steel AISI 430	Chrome plated



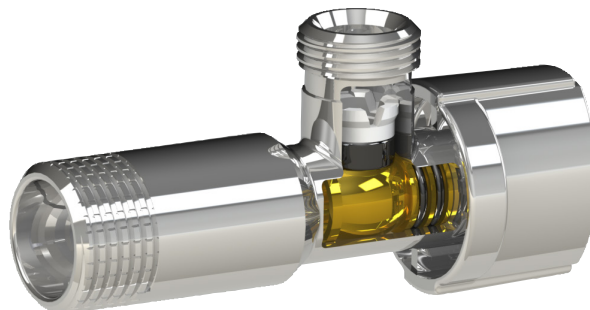


MAIN CONSTRUCTIVE FEATURES

STEM-BALL

Stem and ball are manufactured in one piece with CW614N European Brass, which increases its resistance and performance.

This original component from ARCO has been designed to reduce loss of pressure and attenuate the sound pressure, increasing the comfort of the water facilities.



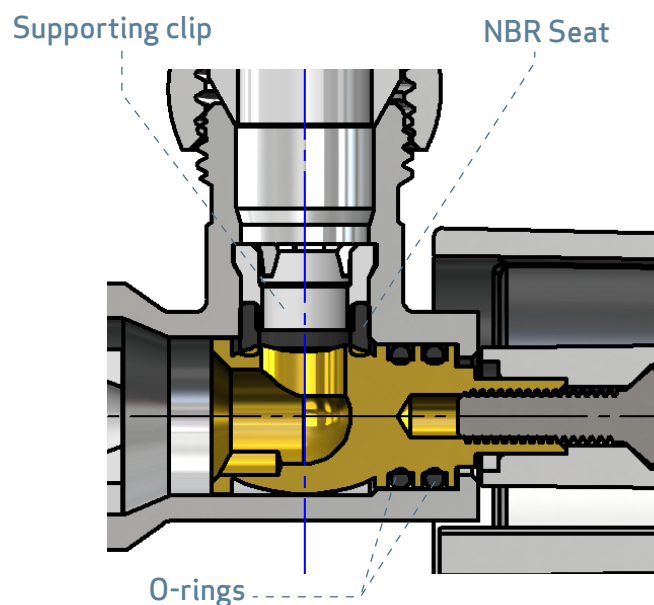
Internal Leak Tightness

The supporting clip made of POM is placed in the valve to push the NBR seat against the stem-ball.

This system cannot be dismantled, avoiding improper manipulations.

External Leak Tightness

A pair of NBR o-rings placed on the stem assure external leak tightness. This double joint system guarantees safety against external leakage, use, ageing...



KNURLED THREADS


A:80 valves have the classic knurled system from ARCO on the thread to facilitate the installation. It makes easier the application of Teflon, esparto grass... to the thread, avoiding sliding of these elements during its application.



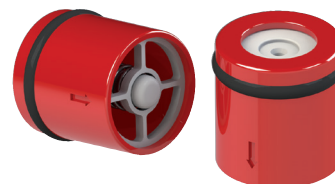


MAIN CONSTRUCTIVE FEATURES

CHECK VALVE (according to model)

These valves incorporate a check valve system of  type as classified protection units specified in EN 1717.

The system protection against the pollution of drinking water facilities, due to water backflow, has been certified by entity BELGAQUA.



BICONE COMBI TYPE (according to models)

Bycone made of NBR and Polyamide, with a brass ring to increase the resistance in the union with the copper pipe.

Specially to step up safety and reliability in all public installations that can be improperly handled.

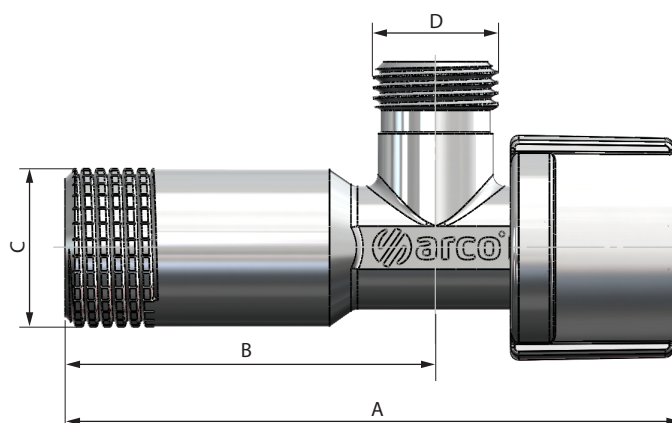


DIMENSIONS

A-80 NOVA Handle

Size	A	B	C	D
3/8x3/8	80	48	G3/8	G3/8
1/2x3/8	80	48	G1/2	G3/8
1/2x1/2	80	48	G1/2	G1/2

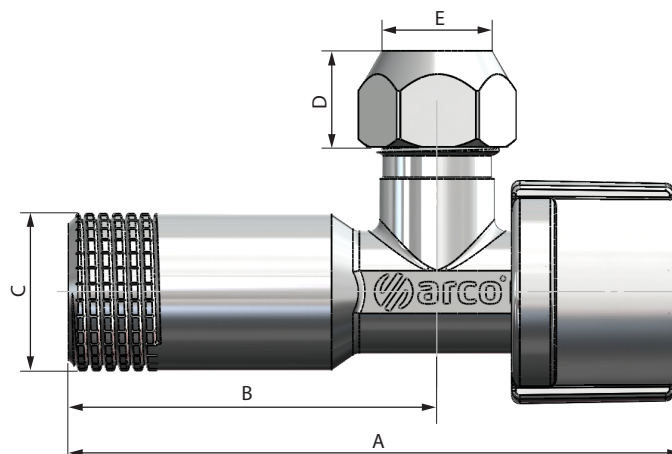
G Thread ISO 228



A-80 NOVA Handle - with nut

Size	A	B	C	D	E
1/2x3/8x10	80	48	G1/2	12	10
1/2x1/2x10	80	48	G1/2	12	10
1/2x1/2x12	80	48	G1/2	12	12

G Thread ISO 228



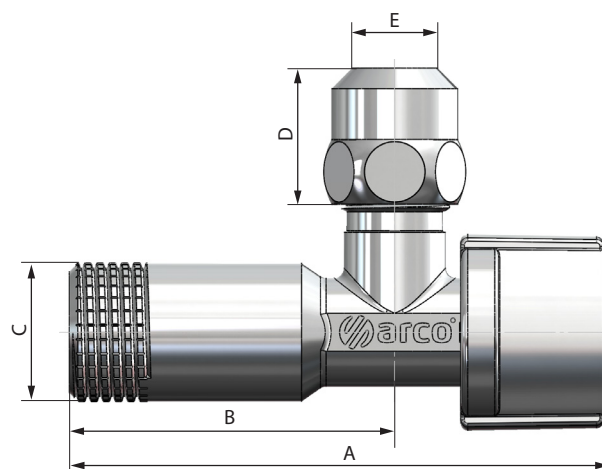


DIMENSIONS

A-80 NOVA Handle - with long nut

Size	A	B	C	D	E
3/8x3/8x10	80	48	G3/8	20	10
1/2x3/8x10*	80	48	G1/2	20	10

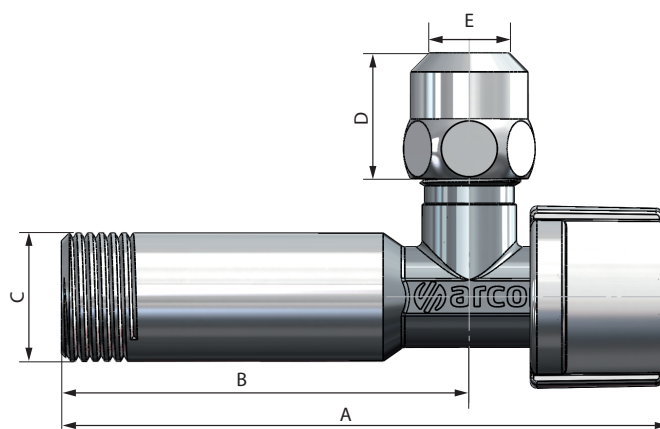
* Available with check valve
G Thread ISO 228



A-80 LONG NOVA Handle - with long nut

Size	A	B	C	D	E
1/2x3/8x10	98	64	G1/2	20	10

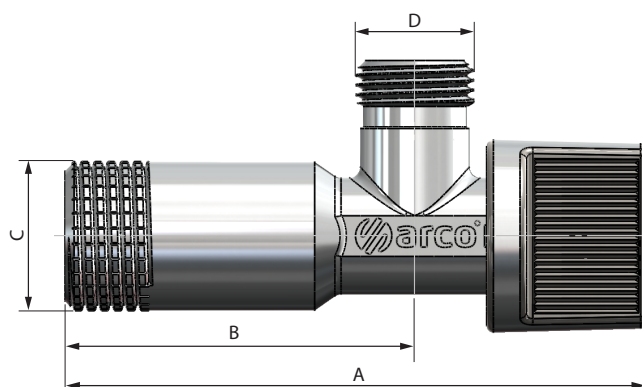
G Thread ISO 228



A-80 ORIGINAL Handle

Size	A	B	C	D
1/2x3/8	80	48	G1/2	G3/8
1/2x1/2	80	48	G1/2	G1/2

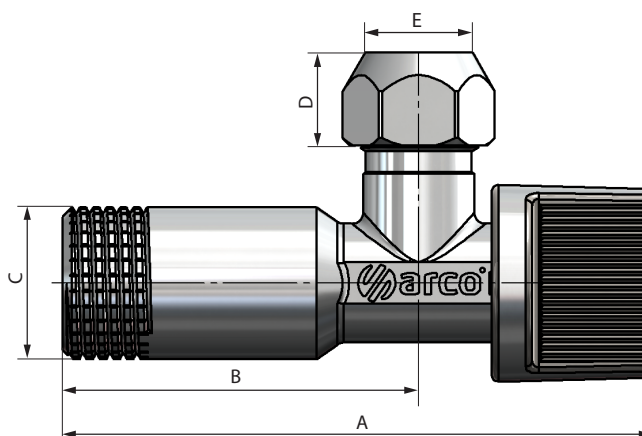
G Thread ISO 228



A-80 ORIGINAL Handle - with nut

Size	A	B	C	D	E
1/2x3/8x10	80	48	G1/2	12	10

G Thread ISO 228



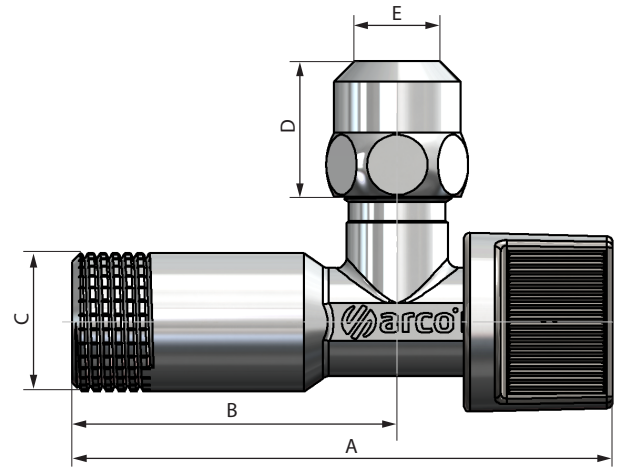


DIMENSIONS

A-80 ORIGINAL Handle – with long nut

Size	A	B	C	D	E
1/2x3/8x10	80	48	G1/2	20	10

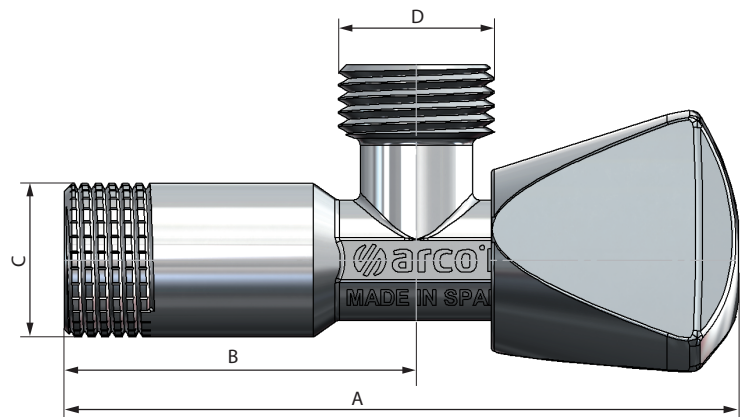
G Thread ISO 228



A-80 LUXE Handle

Size	A	B	C	D
1/2x1/2	92	48	G1/2	G1/2

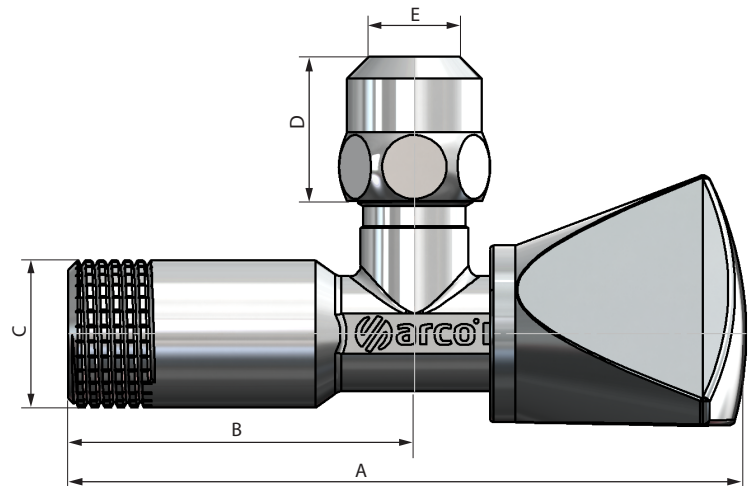
G Thread ISO 228



A-80 LUXE Handle – with long nut

Size	A	B	C	D	E
1/2x3/8x10	92	48	G1/2	20	10

G Thread ISO 228



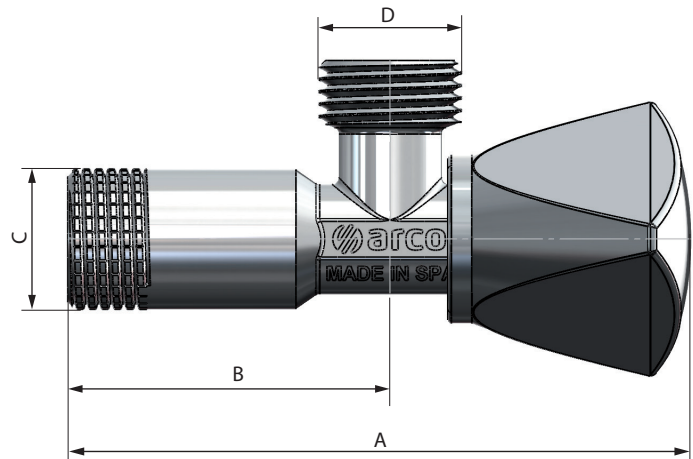


DIMENSIONS

A-80 LUXE PLUS Handle

Size	A	B	C	D
1/2x1/2	92	48	G1/2	G1/2

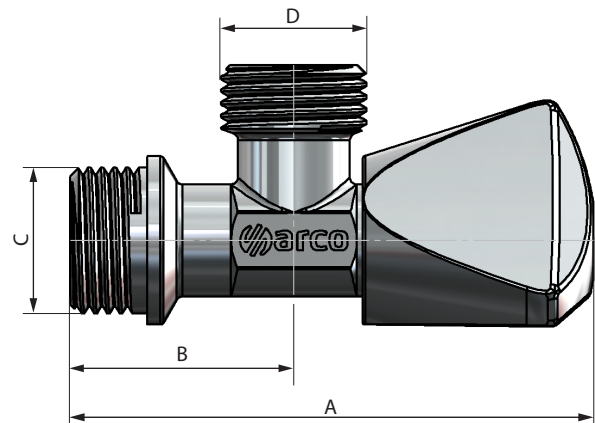
G Thread ISO 228



A-80 Compact LUXE Handle

Size	A	B	C	D
1/2x1/2	75	32	G1/2	G1/2

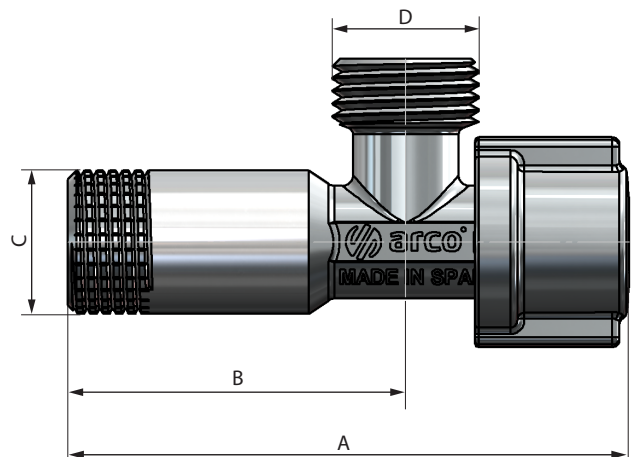
G Thread ISO 228



A-80 DAMA Handle

Size	A	B	C	D
1/2x1/2	80	48	G1/2	G1/2

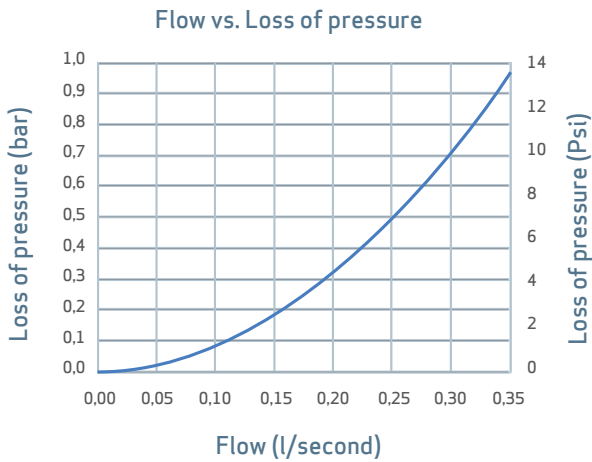
G Thread ISO 228





HYDRAULIC FEATURES

Hydraulic characteristics obtained according to norm EN 1267.



INSTALATION AND ASSEMBLY

The installation of valves must be done with the right tool, mostly with 15 spanner.

The tool should be adjusted to the flat sides of the body of the valve, avoiding the deformation of the zone by high pressure of the tool.

Components of the valve must not be altered. The substitution or dismantling of the handle can cause external leaks.

All quarter turn handle valves should work totally open.

