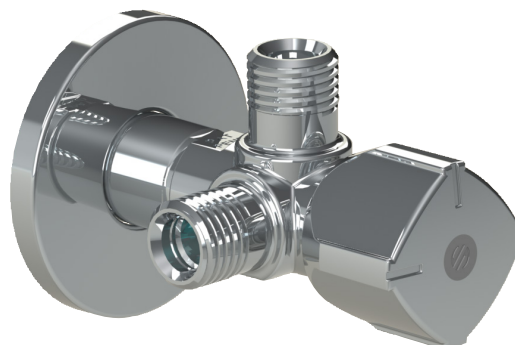




# twin vitaq a-80 valve



TECHNICAL SHEET 08/2015 | IPO2040

## SCOPE

A-80 TWIN angle valves combine 2 independent outlets in one single body and are used in plumbing installations. These valves present VITAQ SYSTEM that have showed excellent results in other products like A-80, L-series angle valves or Mini stops. The inner mechanism made of special materials; minimize the effects of lime on the valves.

These valves can shut off individually and independent water supply to equipment or components connected to each of its two outputs, such as sinks, toilets, cisterns...

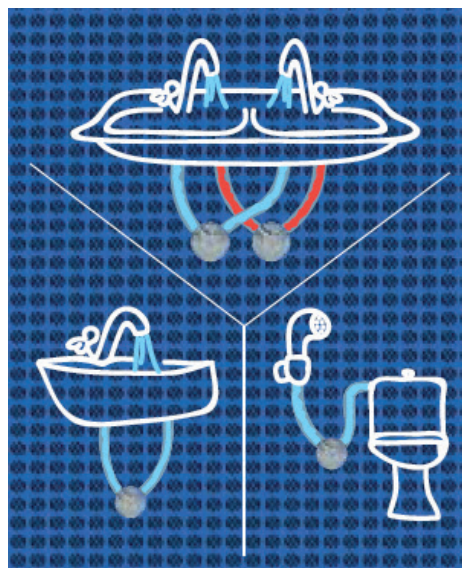
A-80 TWIN models offer 2 independent outlets from a single inlet from the drinking water network, providing the installation with following advantages:

- Reduction of over 80% of installation time
- Reducing the number of accessories
- Reduced installation space
- Improved reliability by reducing the number of connections.

These benefits apply both to existing installations, which run on a reform, as in the new facility.

## SERVICE CONDITIONS

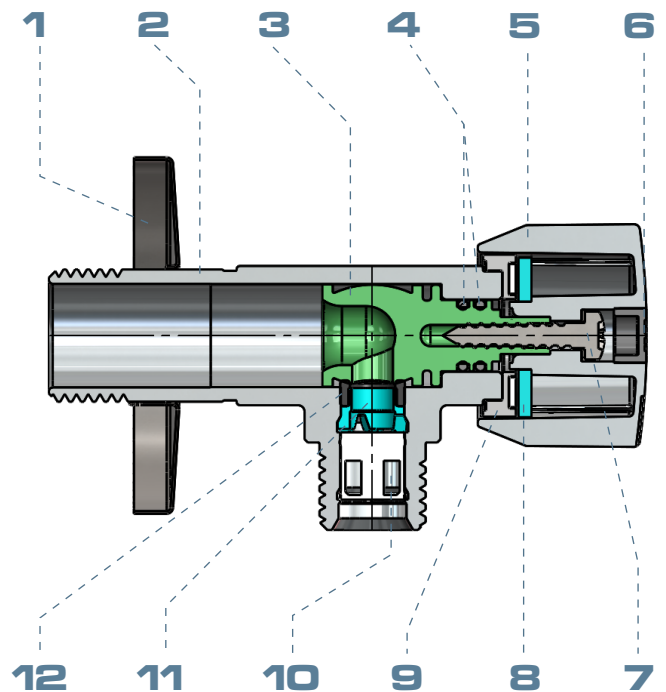
Nominal pressure:	10 bar
Test pressure:	15 bar
Temperature range:	cold and hot water up to 95°C
Fluid:	Water intended to human consumption and domestic hot water





## COMPONENTS

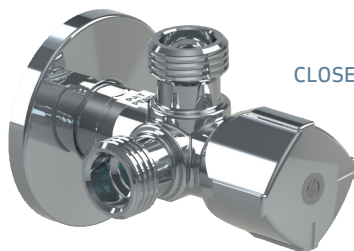
Item	Component	Material	Treatment
1	Rosette	Stainless steel	
2	Body	European Brass CW617N	Chrome plated
3	Stem-ball	Anti-lime polymer	
4	O-ring	NBR	
5	Handle	ABS	Chrome plated
6	ARCO emblem	ABS	Grey
7	Screw	Stainless steel	
8	Washer	POM	
9	Washer	POM	
10	Check valve	POM	
11	Supporting clip	POM	
12	Seat	NBR	



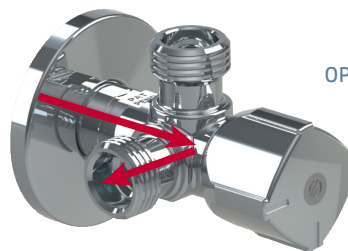
## MAIN CONSTRUCTIVE FEATURES

### TWO INDEPENDENT OUTLETS IN THE SAME POINT

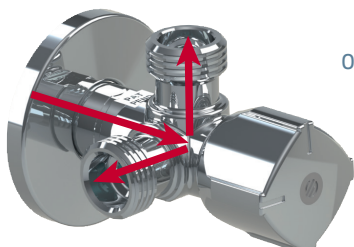
A-80 TWIN models can shut off the flow of water to each of their outputs independently



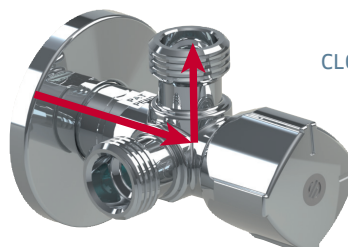
POSITION 1  
CLOSED - CLOSED



POSITION 2  
OPEN - CLOSED



POSITION 3  
OPEN - OPEN



POSITION 4  
CLOSED - OPEN



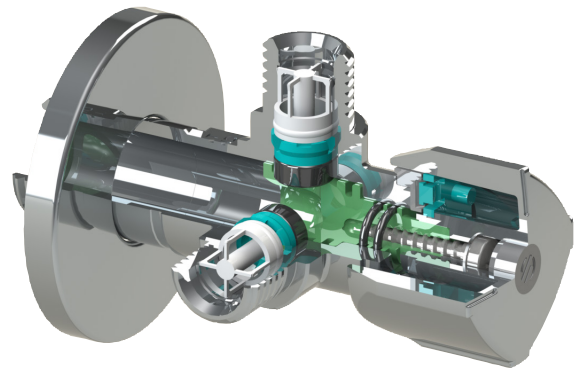
## MAIN CONSTRUCTIVE FEATURES

### VITAQ SYSTEM

Stem and ball are manufactured in one piece made of special anti-lime polymer, which increases its resistance, allows a softer operation of the valve and avoids the lime adhesion on it.

In those installations where water hardness and temperature make easier the lime deposition, as well as a low maneuver frequency; leads to the valve's hard operation after long periods of time.

VITAQ SYSTEM is the solution to avoid a hard operation and keep a constant flow rate and avoid the loss of flow caused by the lime adhered.



### HANDLE

The handle has 4 marked positions and it has a positioning system that ensures the correct operation.



### LEAK TIGHTNESS

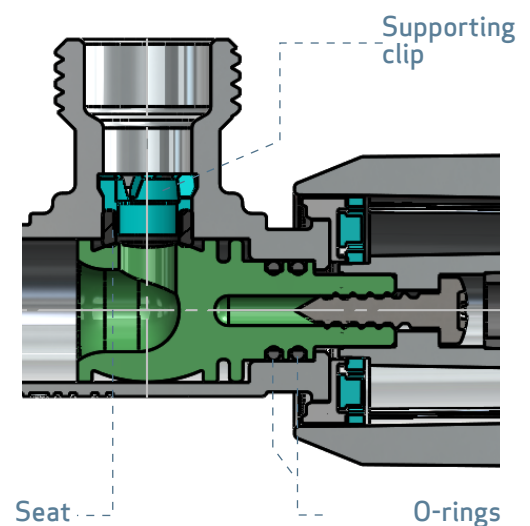
#### Internal

The supporting clip made of POM is placed in the valve to push the NBR seat against the stem-ball.

This system cannot be dismantled, avoiding improper manipulations.

#### External

A double NBR seal placed on the stem assure external leak tightness. This double joint system guarantees safety against external leakage, use, ageing...

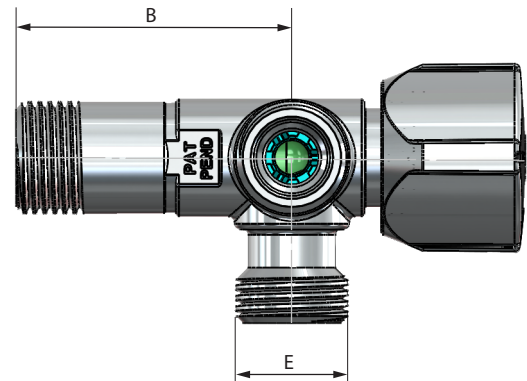
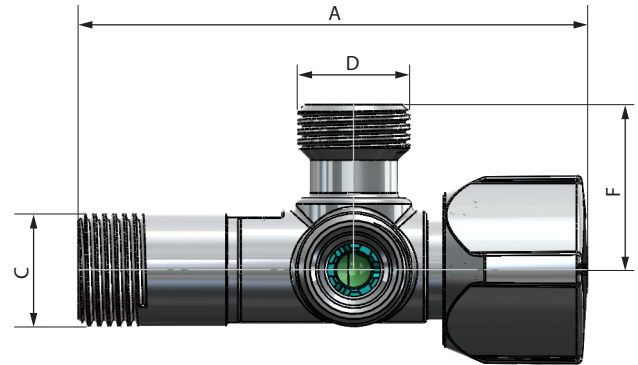




## DIMENSIONS

Size	A	B	C	D	E	F
1/2x3/8 x3/8	93	50	G1/2	G3/8	G3/8	30
1/2x1/2 x1/2	93	50	G1/2	G1/2	G1/2	30
1/2x3/4 x3/4	93	50	G1/2	G3/4	G3/4	37

G Thread ISO 228



## PRODUCT RANGE AND VARIATIONS

### CHECK VALVE

Some valves incorporate a check valve system EB type as classified protection units specified in EN 1717 and certified by BELGAQUA.



### ADAPTERS

Adapter 3/8 to 1/2

Adapter 3/8 to 3/4

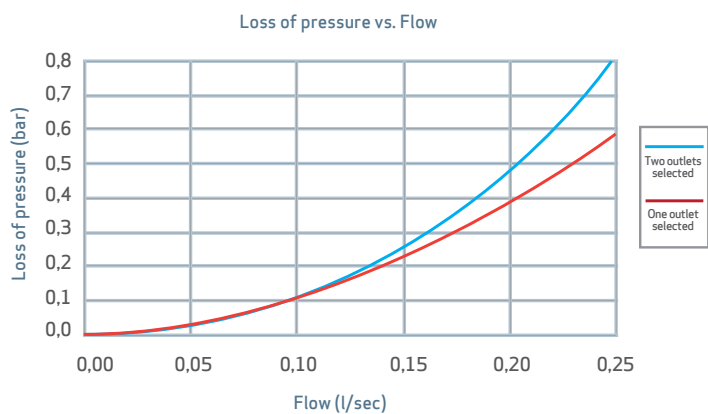
Adapters made of CW614N European brass with a chrome plated finished.





## HYDRAULIC FEATURES

Hydraulic characteristics obtained according to EN 1267.



## INSTALLATION AND ASSEMBLY

The installation of valves must be done with the right tool.

The tool should be adjusted to the flat sides of the body of the valve, avoiding the deformation of the zone by high pressure of the tool.

Components of the valve must not be altered.  
The substitution or dismantling of the handle can cause external leaks.

All quarter turn handle valves should work totally open.

