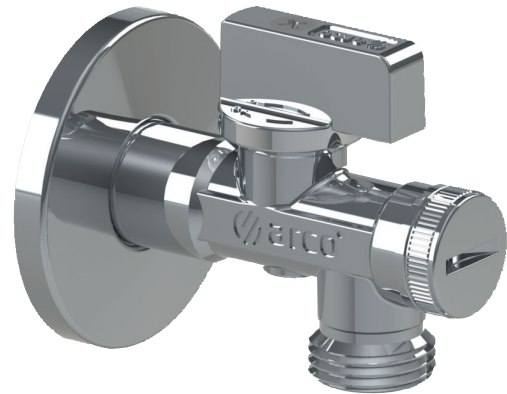




mini filtro vitaq



TECNICAL SHEET 03/2015 | IPO3030

SCOPE

MINI FILTRO VITAQ are angle valves intended to be used in plumbing centralized systems. Its antilime polymeric stem-ball and filter prevents from the negative effects of the lime in the valves.

These valves allow the individual shut off of sinks, basins, cisterns and other different water supply points to proceed to their repair or replacement.

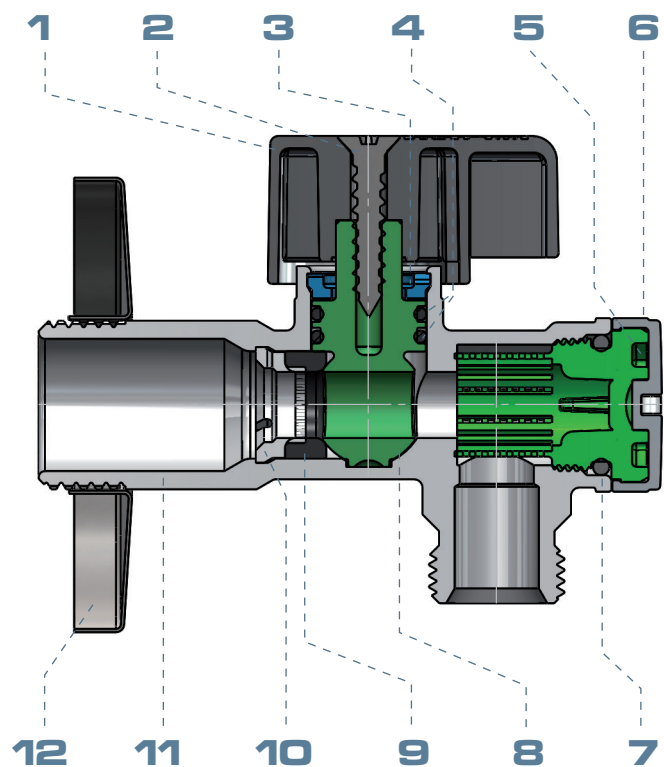
MINI FILTRO VITAQ are 1/4 turn valves.

SERVICE CONDITIONS

Nominal pressure:	16 bar
Test pressure:	25 bar
Temperature range:	Cold and hot water up 95°C
Fluid:	Drinking and domestic hot water

COMPONENTS

Item	Component	Material	Treatment
1	Handle	Metal	Chrome plated
2	Screw	Stainless steel	
3	Supporting clip	POM	
4	O-ring	NBR	
5	Filter	Polimer anti-lime	
6	Filter cap	ABS	Chrome plated
7	O-ring	NBR	
8	Stem-ball	Polimer anti-lime	
9	Seat	NBR	
10	Supporting clip	POM	
11	Body	European brass CW617N	Chrome plated
12	Rossete	Stainless steel	





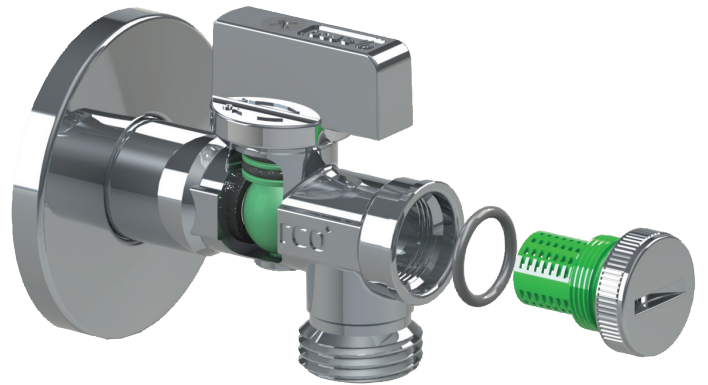
MAIN CONSTRUCTIVE FEATURES

VITAQ SYSTEM

Stem and ball are manufactured in one piece made of special antilime polymer, which increases its resistance, allows a softer operation of the valve and blocks the lime adhesion on it.

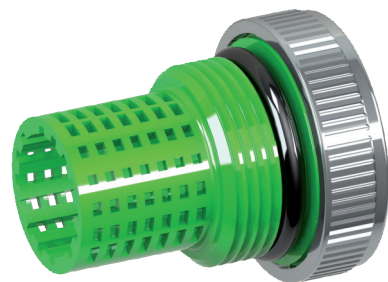
In those installations where water's hardness and temperature make easier the lime deposition, as well as a low maneuver frequency; leads to the valve's hard operation after long periods of time.

VITAQ SYSTEM is the solution to avoid a hard operation and keep a constant flow rate and avoid the loss of flow caused by the lime adhered.



VITAQ FILTER

The new VITAQ filter prevents the lime adhered and therefore avoids the flow reduction, maintaining the water flow over the time and prevents continuous maintenance.



METAL HANDLE

The handle made of metal, polished and chromed finish, as the rest of the valve.

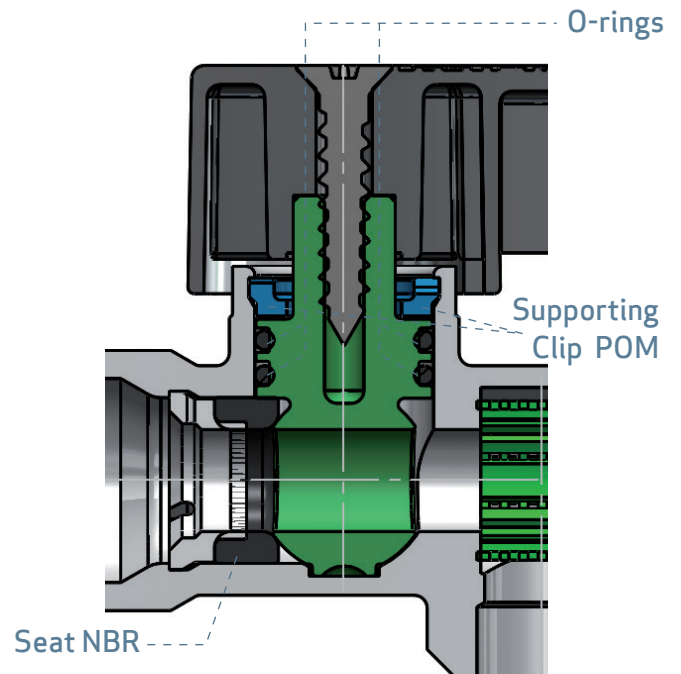




MAIN CONSTRUCTIVE FEATURES

Internal leak tightness

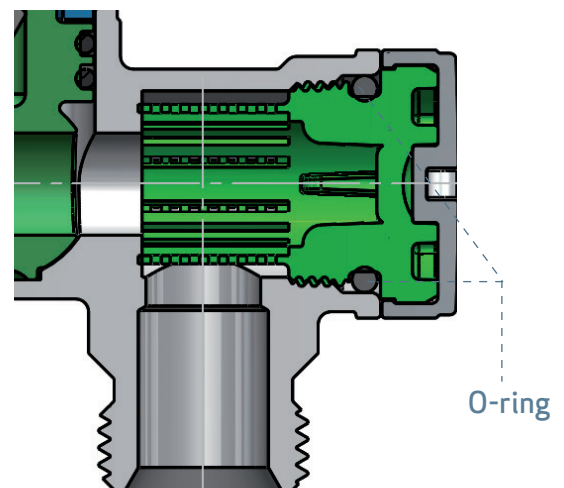
A NBR SEAT pushed against the stem-ball by the mean of a supporting clip made of POM, guarantees the internal leak tightness. This system provides an extra anti-tampering feature, avoiding dismantling and improper manipulations.



External leak tightness

A double NBR seal placed on the stem-ball assure external leak tightness. This system guarantees double safety against external leakage, use, ageing ...

A NBR seal assure the external leak tightness between the filter cap and the valve.



Knurled threads

MINI FILTRO VITAQ angle valves have the classic knurled system of ARCO on the thread to facilitate the installation. It makes easier the application of teflón, esparto grass... to the thread, avoiding slidings of these elements while application.





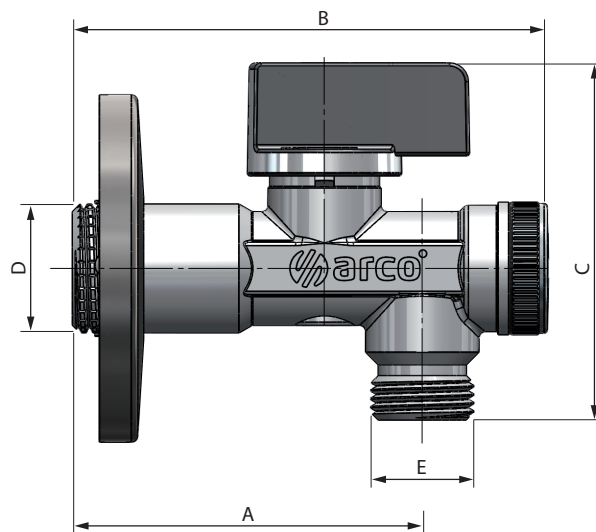
DIMENSIONS

Measure	A	B	C	D	E
1/2x3/8	56	75	57	G 1/2	G 3/8

G. Thread ISO 228

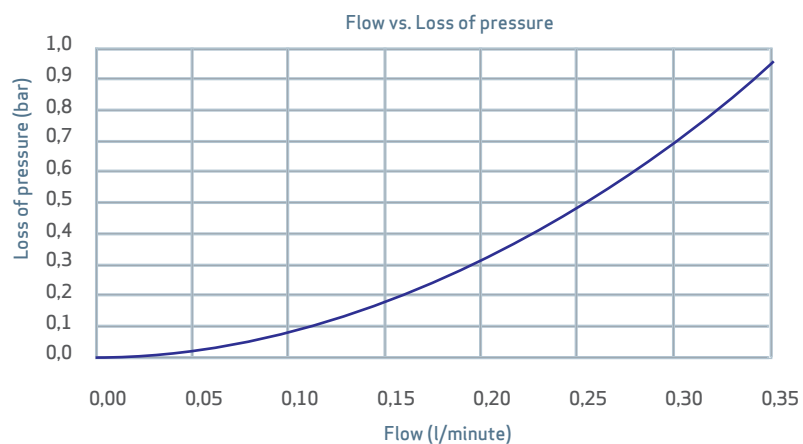
Measure	A	B	C	D	E
1/2x1/2	56	75	57	G 1/2	G 1/2

G. Thread ISO 228



HYDRAULIC FEATURES

Hydraulic features obtained according to EN 1267 standard





INSTALATION **AND ASSEMBLY**

Installation

The installation of valves must be done with the right tool, mostly with 18 spanner.

The tool should be adjusted to the flat sides of the body of the valve, avoiding the deformation of the zone by high pressure of the tool.

Components of the valve must not be altered. The substitution or dismantling of the handle can provoke external leaks.

Cleanness of filter

To clean the filter the valve must be totally closed. After this is done the filter can be unscrewing.

After cleaning the filter with water, it can be placed again and screwed on the valve. Finally open the valve and check for leak-tightness.

