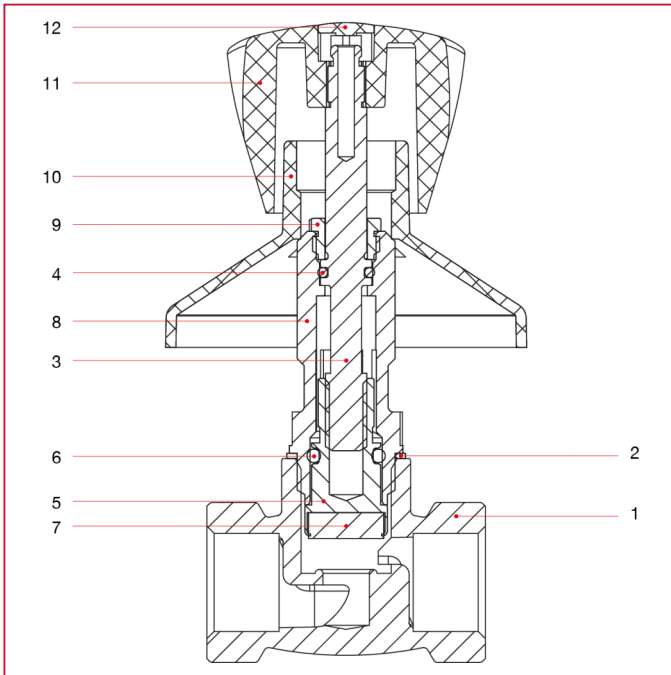




BUILD-IN VALVES AND SUPPLY STOPS

345 Build-in valve with handle

MATERIALS



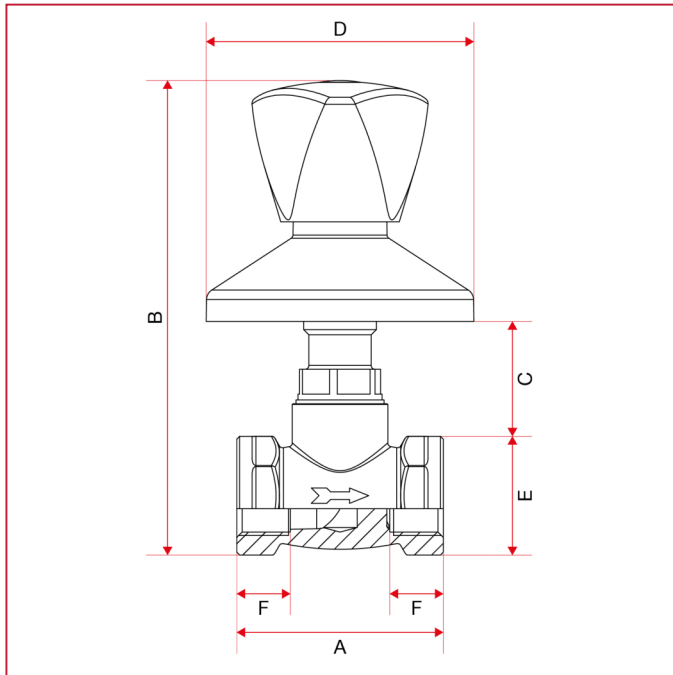
POS.	DESCRIPTION	N.	MATERIAL
1	Build-in valve' body	1	Brass CW617N
2	Washer	1	Aluminium
3	Stem	1	Brass CW614N
4	O-ring	1	NBR
5	Screw	1	Brass CW614N
6	O-ring	1	NBR
7	Cap	1	NBR
8	Bonnet body	1	Brass CW614N
9	Nut	1	Brass CW614N
10	Cover-plate	1	Chrome-plated ABS
11	Handle	1	Chrome-plated ABS
12	Clip	1	Chrome-plated ABS



BUILD-IN VALVES AND SUPPLY STOPS

345 Build-in valve with handle

OVERALL DIMENSIONS



	1/2"	3/4"
DN	15	20
A	54	59,5
B	124	127,5
C	30	30
D	70	70
E	31	35,5
F	14	14
Kg/cm ² bar	20	15
LBS - psi	290	217,5