

**ShowerSelect**  
**Thermostat for concealed installation for 2 functions**  
 Finish: **Chrome** Article Number: **15763000**



### Description

**product features**

- 2 functions
- simultaneous use of several outlets
- Select push-button on/off control for 2 outlets
- thermostat cartridge, Start/stop valve to operate the functions
- maximum flow rate at 3 bar: 29,7 l/min
- flow rate upper outlet: 25 l/min
- flow rate lower outlet: 23 l/min
- flow rate by simultaneous use of all outlets: 29,7 l/min
- min. operating pressure: 1 bar
- max. operating pressure: 10 bar
- Safety stop at 40 °C
- temperature limitation adjustable
- connection type: basic set
- thermostat is delivered with buttons hand shower and Rain large
- EPD Thermostats

### Technology



### Design awards



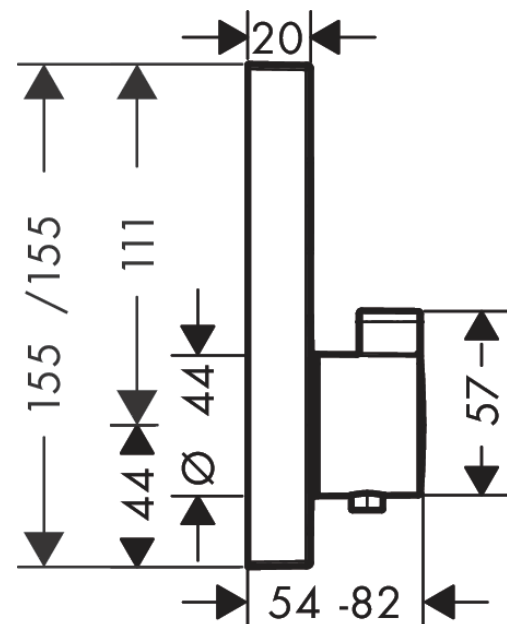
### Certificates / Sustainability



### Product image



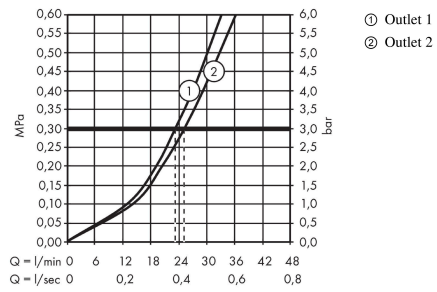
### Scale drawing



**ShowerSelect**  
**Thermostat for concealed installation for 2 functions**  
 Finish: **Chrome** Article Number: **15763000**



**Flowchart**

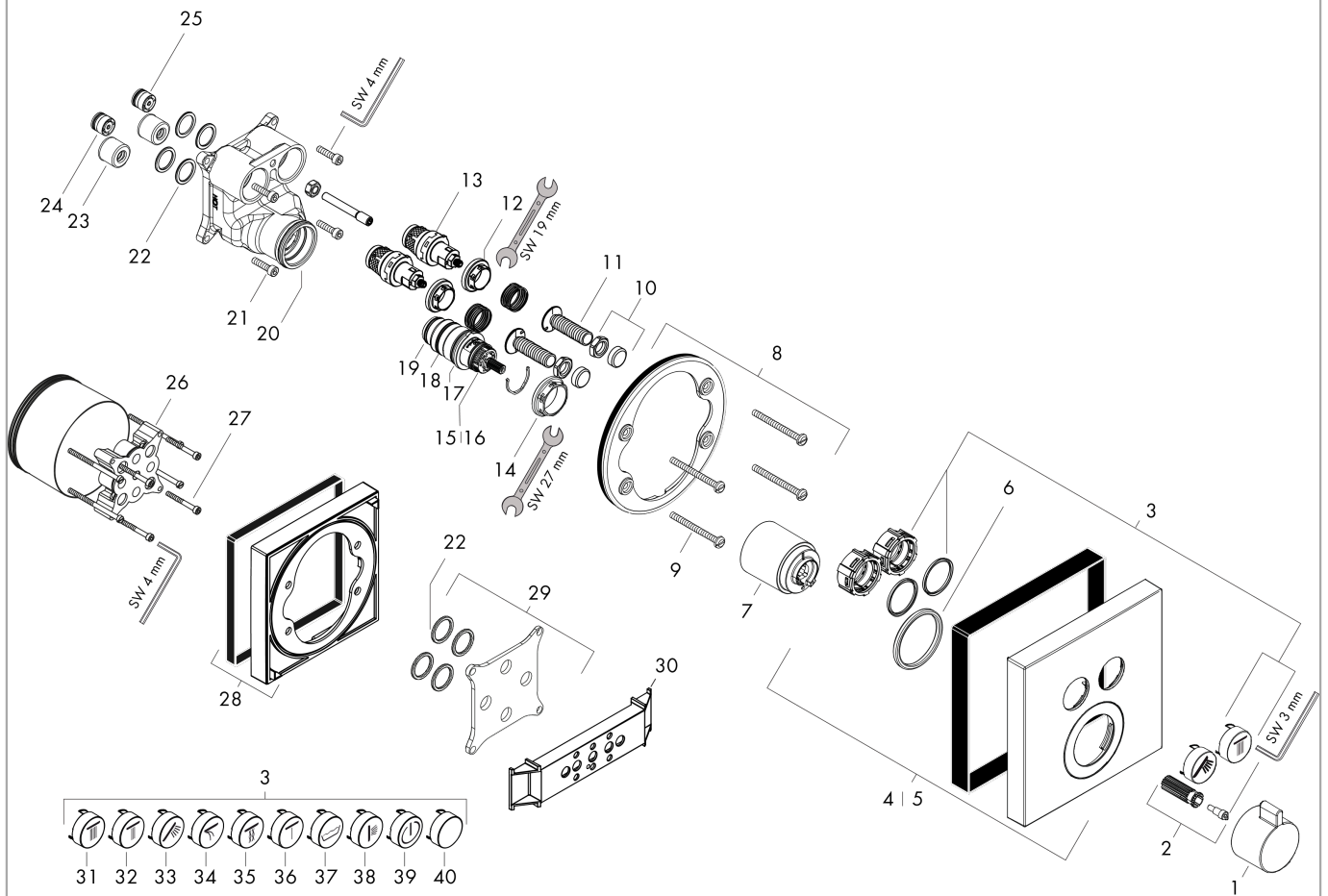


**ShowerSelect**  
**Thermostat for concealed installation for 2 functions**  
 Finish: **Chrome** Article Number: **15763000**



**Exploded Drawing**

Year of production: >02/18



**ShowerSelect**  
**Thermostat for concealed installation for 2 functions**  
 Finish: **Chrome** Article Number: **15763000**



### Spare part list

Year of production: >02/18

Pos.	Description	Article Number	PC	PU
1	handle for thermostat	92215000	11	1
2	handle fixing set	95843000	3	1
3	set of symbols	92218000	12	1
4	escutcheon 155 / 155 mm	92217000	14	1
5	escutcheon for exchanged connections	92393000	13	1
6	O-ring 44x4	98471000	3	1
7	sleeve	92216000	8	1
8	holder for escutcheon	98793000	9	1
9	set of fixing screws	96454000	3	1
10	nut and flange	92696000	5	1
11	Select-adapter	92219000	2	1
12	nut	98368000	4	1
13	shut off unit	95758000	14	1
14	nut	98913000	6	1
15	thermostat cartridge	98282000	14	1
16	cartridge for exchanged connections	92373000	18	1
17	O-ring 25x2,5	92146000	3	1
18	O-ring 25x1,5	98146000	1	1
19	O-ring 20x1,5	98197000	1	1
20	O-ring 36x2	98156000	1	1
21	set of screws	96525000	3	1
22	O-ring 16x2	98133000	1	1
23	noise reduction	94073000	7	1
24	non return valve (pressure-resistant up to 2 MPa)	92594000	5	1
25	non return valve	97980000	5	1
26	extension 25 mm	13595000	98	1
27	set of fixing screws	97747000	1	1
28	extension 22 mm	13593000	98	1
29	compensation set 1°	95521000	16	1
30	fit-up aid	92540000	98	1
31	symbol head shower Rain large	93571880	3	1
32	symbol head shower Rain small	93572880	3	1
33	symbol handshower	93573880	3	1
34	symbol Flood jet	93574880	3	1
35	symbol Whirl	93575880	3	1
36	symbol Mono	93576880	3	1
37	symbol tub	93577880	3	1
38	symbol body shower	93578880	3	1
39	symbol ON/OFF	93579880	3	1
40	pushbutton	93955880	6	1
a	concealed item	01800180	98	1

**ShowerSelect**  
**Thermostat for concealed installation for 2 functions**  
 Finish: **Chrome** Article Number: **15763000**



**Spare part list**

Year of production: >02/18

<b>Pos.</b>	<b>Description</b>	<b>Article Number</b>	<b>PC</b>	<b>PU</b>
b	adapter for exchanged connections	93181000	18	1
c	shut off unit (special)	92361000	14	1
d	brake disc	92498000	3	1
e	Grease	90920000	5	1
f	shut off unit	92692000	17	1