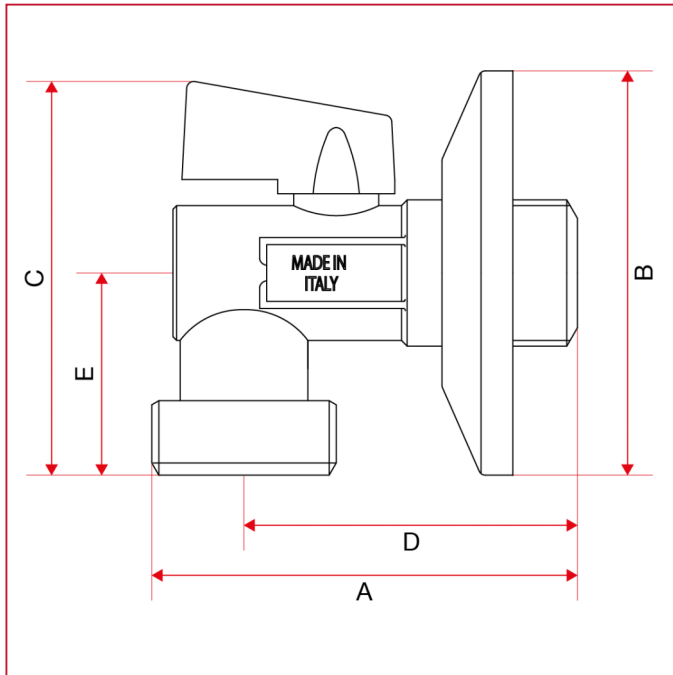




# WASHING MACHINE VALVES

## 706 Washing machine ball valve

### OVERALL DIMENSIONS



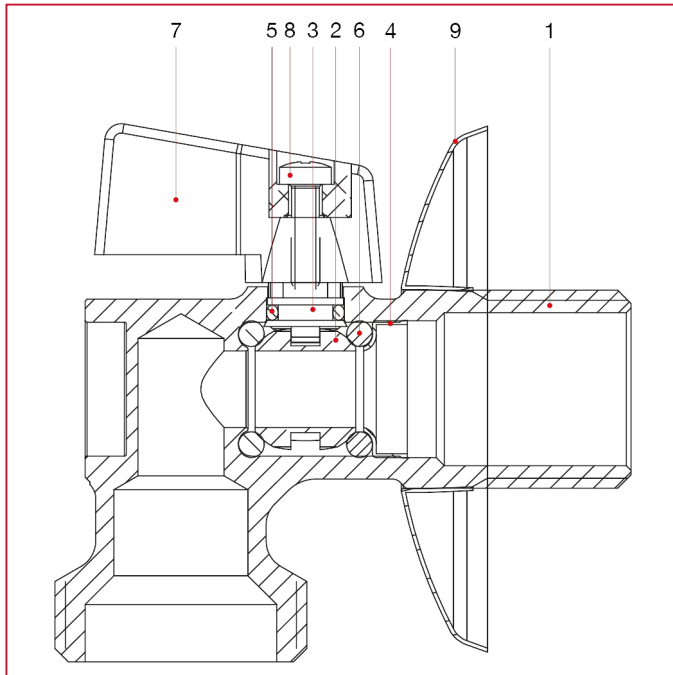
	1/2"
A	60,2
B	55
C	56,3
D	47
E	28,5
Kg/cm <sup>2</sup> bar	8
LBS - psi	116



# WASHING MACHINE VALVES

## 706 Washing machine ball valve

### MATERIALS



POS.	DESCRIPTION	N.	MATERIAL
1	Body	1	Chrome-plated brass CW617N
2	Screw	1	Zinc-plated steel
3	Lever handle	1	Zama
4	Stem	1	Brass CW617N
5	O-ring	1	NBR
6	O-ring	2	NBR
7	Ball	1	Chrome-plated brass CW617N
8	Pressure ring	1	Brass CW508L
9	Cover plate	1	Stainless steel AISI 430