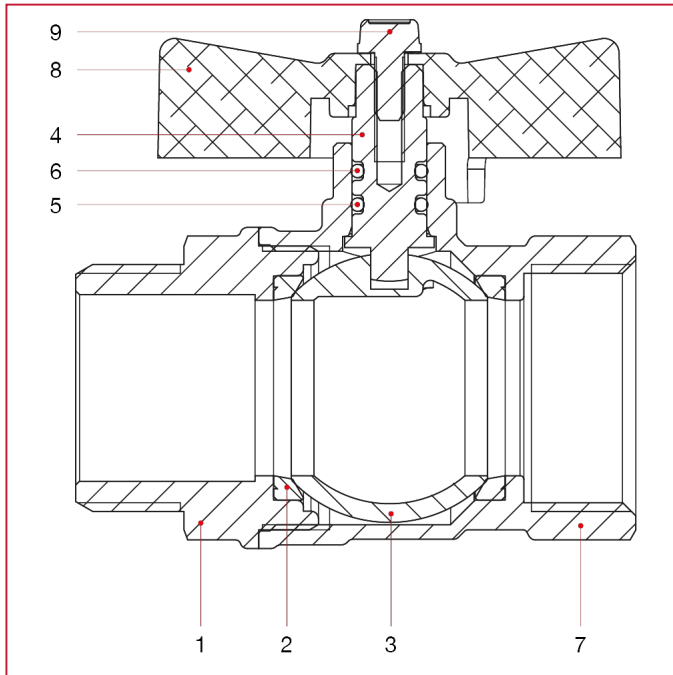




STANDARD FLOW BALL VALVES: VIENNA

119 Vienna ball valve, standard flow

MATERIALS



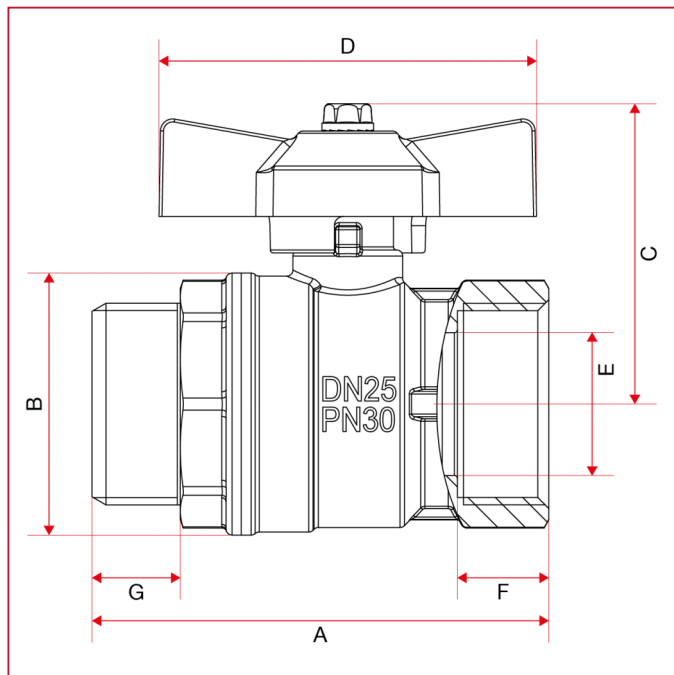
POS.	DESCRIPTION	N.	MATERIAL
1	Male end adapter	1	Nickel-plated brass CW617N
2	Seat	2	P.T.F.E.
3	Ball	1	Chrome-plated brass CW617N
4	Stem	1	Brass CW614N
5	O-ring	1	NBR
6	O-ring	1	Viton®
7	Body	1	Nickel-plated brass CW617N
8	T handle	1	Varnished aluminium
9	Screw	1	Zinc-plated steel C4C



STANDARD FLOW BALL VALVES: VIENNA

119 Vienna ball valve, standard flow

OVERALL DIMENSIONS



	1/4"	3/8"	1/2"	3/4"	1"
DN	8	10	15	20	25
A	53,9	53,9	58	62,5	75
B	23,5	24	29	36	43
C	37,3	37,3	40	46	49
D	47	47	47	54	62
E	8	10	14	18,5	23,5
F	10	10	12	12	15
G	10,5	10,5	11,5	12,5	14,5
Kg/cm ² bar	50	50	30	30	30
LBS - psi	725	725	435	435	435