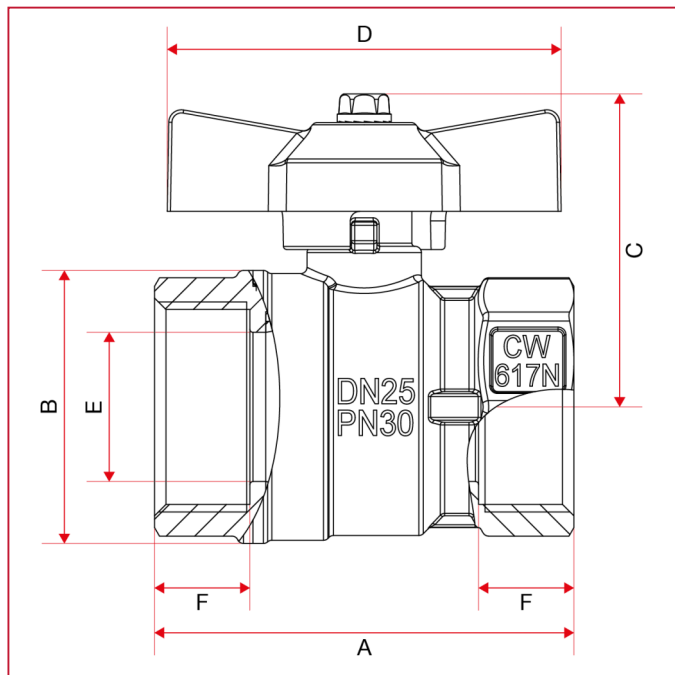




STANDARD FLOW BALL VALVES: VIENNA

118 Vienna ball valve, standard flow

OVERALL DIMENSIONS



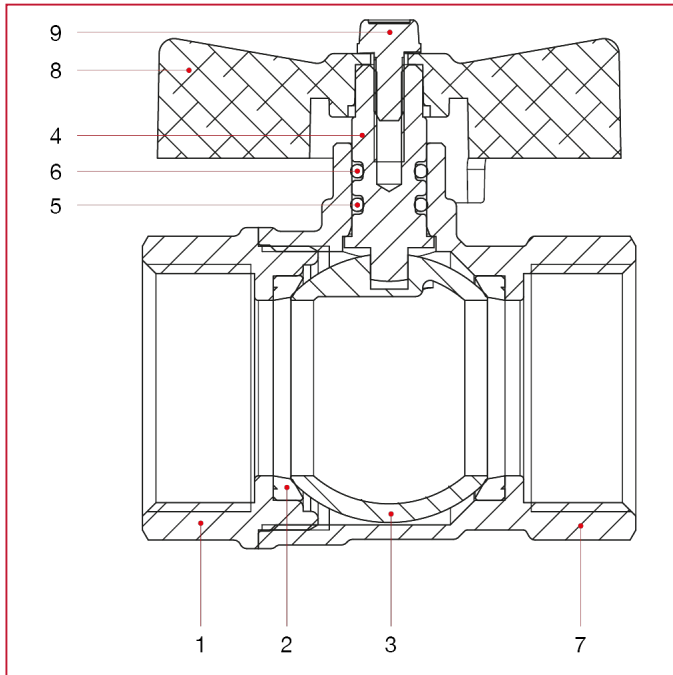
	1/4"	3/8"	1/2"	3/4"	1"
DN	8	10	15	20	25
A	44,4	44,4	48	53	66
B	23,5	24	29	36	43
C	37,3	37,3	40	46	49
D	47	47	47	54	62
E	10	10	14	18,5	23,5
F	10	10	12	12	15
Kg/cm ² bar	50	50	30	30	30
LBS - psi	725	725	435	435	435



STANDARD FLOW BALL VALVES: VIENNA

118 Vienna ball valve, standard flow

MATERIALS



POS.	DESCRIPTION	N.	MATERIAL
1	Female end adapter	1	Nickel-plated brass CW617N
2	Seat	2	P.T.F.E.
3	Ball	1	Chrome-plated brass CW617N
4	Stem	1	Brass CW614N
5	O-ring	1	NBR
6	O-ring	1	Viton®
7	Body	1	Nickel-plated brass CW617N
8	T handle	1	Varnished aluminium
9	Screw	1	Zinc-plated steel C4C

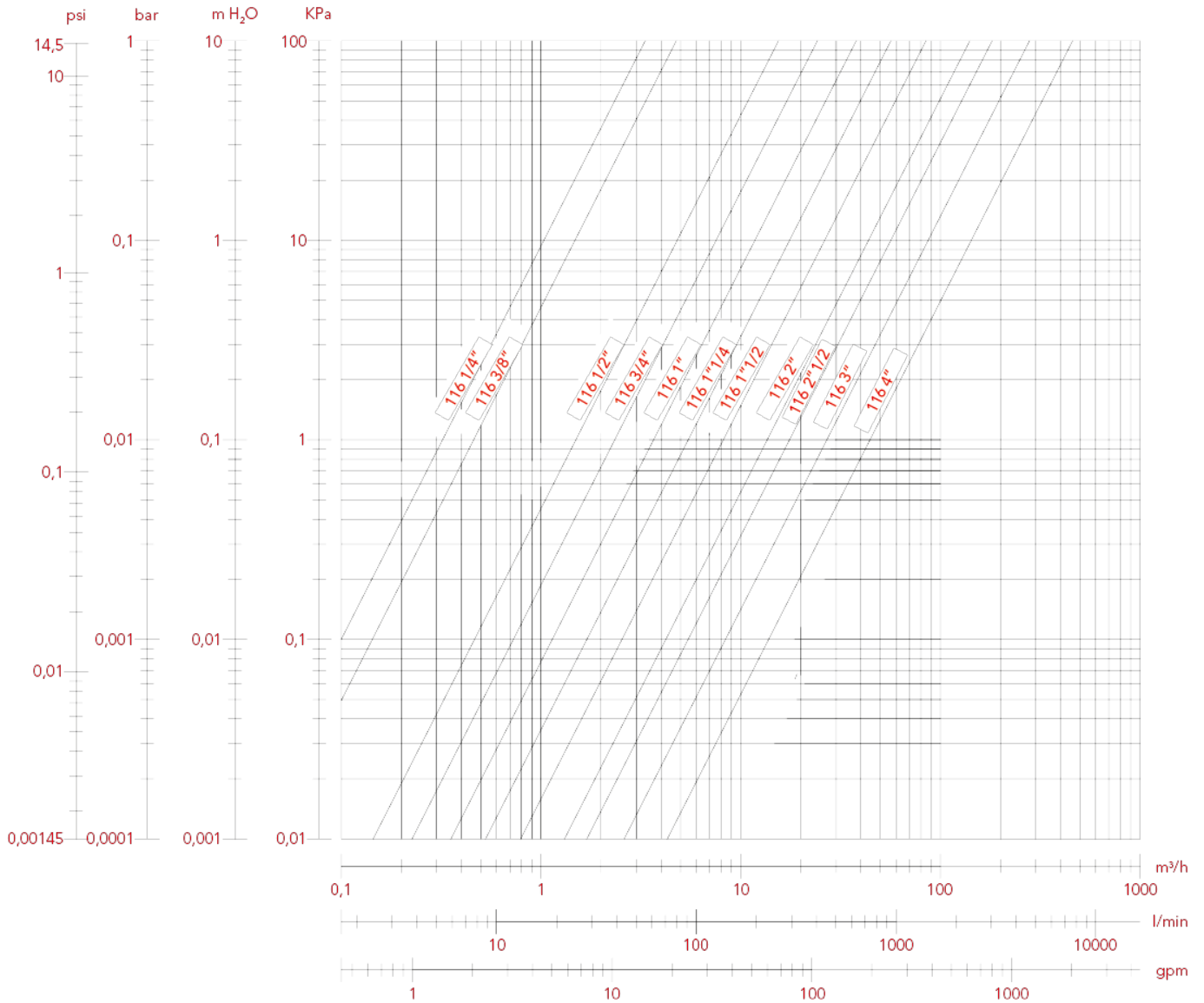


STANDARD FLOW BALL VALVES: VIENNA

118 Vienna ball valve, standard flow

LOSS DIAGRAM (With water)

	1/4"	3/8"	1/2"	3/4"	1"
KV	3,33	4,92	14,65	23,46	38,67





STANDARD FLOW BALL VALVES: VIENNA

118 Vienna ball valve, standard flow

PRESSURE-TEMPERATURE DIAGRAM

The values shown by the dropping lines state the maximum limit of employment of the valves.
The shown values are approximate.

