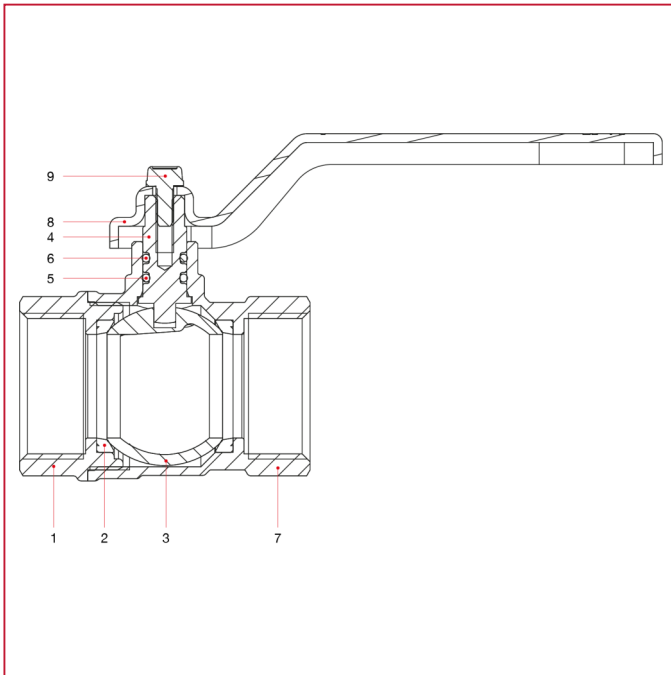




STANDARD FLOW BALL VALVES: VIENNA

116 Vienna ball valve, standard flow

MATERIALS sizes 1/4" through 2"

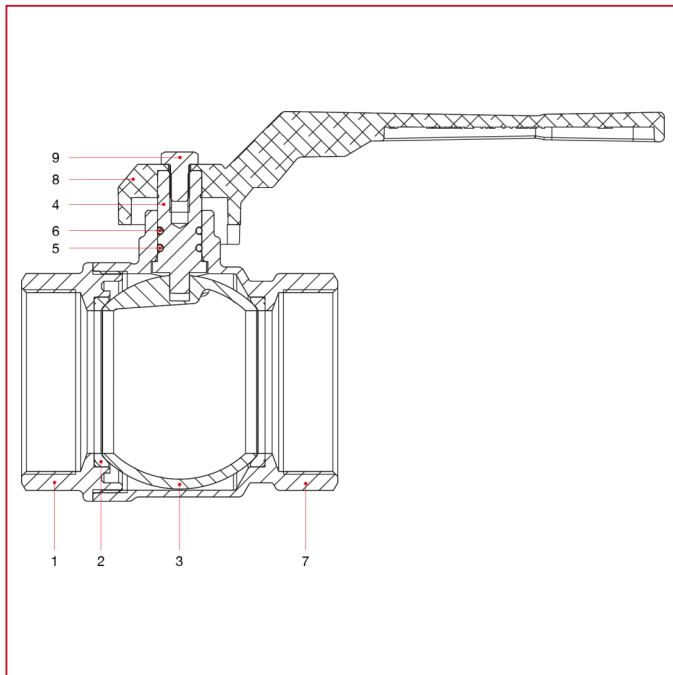


POS.	DESCRIPTION	N.	MATERIAL
1	Female end adapter	1	Nickel-plated brass CW617N
2	Seat	2	P.T.F.E.
3	Ball	1	Chrome-plated brass CW617N
4	Stem	1	Brass CW614N
5	O-ring	1	NBR
6	O-ring	1	Viton®
7	Body	1	Nickel-plated brass CW617N
8	Lever handle	1	Varnished steel P04
9	Screw	1	Zinc-plated steel C4C



STANDARD FLOW BALL VALVES: VIENNA

MATERIALS sizes 2"1/2 through 4"



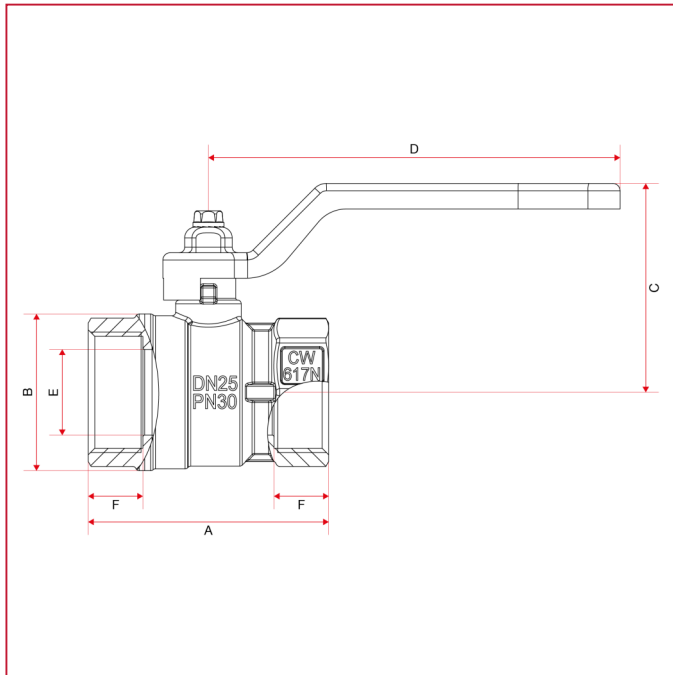
POS.	DESCRIPTION	N.	MATERIAL
1	Female end adapter	1	Nickel-plated brass CW617N
2	Seat	2	P.T.F.E.
3	Ball	1	Chrome-plated brass CW617N
4	Stem	1	Brass CW614N
5	O-ring	1	NBR
6	O-ring	1	Viton®
7	Body	1	Nickel-plated brass CW617N
8	Lever handle	1	Varnished aluminium
9	Screw	1	Zinc-plated CB4 FF (C34)



STANDARD FLOW BALL VALVES: VIENNA

116 Vienna ball valve, standard flow

OVERALL DIMENSIONS



	1/4"	3/8"	1/2"	3/4"	1"	1"1/4	1"1/2	2"	2"1/2	3"	4"
DN	8	10	15	20	25	32	40	50	65	80	100
A	44,4	44,4	48	53	66	76	88	103	128,5	145	175
B	23,5	24	29	36	43	53	63	79	97	117,5	149,5
C	37,3	37,3	40	54	57	73	78	94	110	127	142
D	80	80	80	113	113	138	138	158	197	250	250
E	10	10	14	18,5	23,5	30	37	47	58	70	90
F	10	10	12	12	15	16	18	19	24	24	27
Kg/cm ² bar	50	50	30	30	30	25	25	25	18	14	12
LBS - psi	725	725	435	435	435	362,5	362,5	362,5	261	203	174