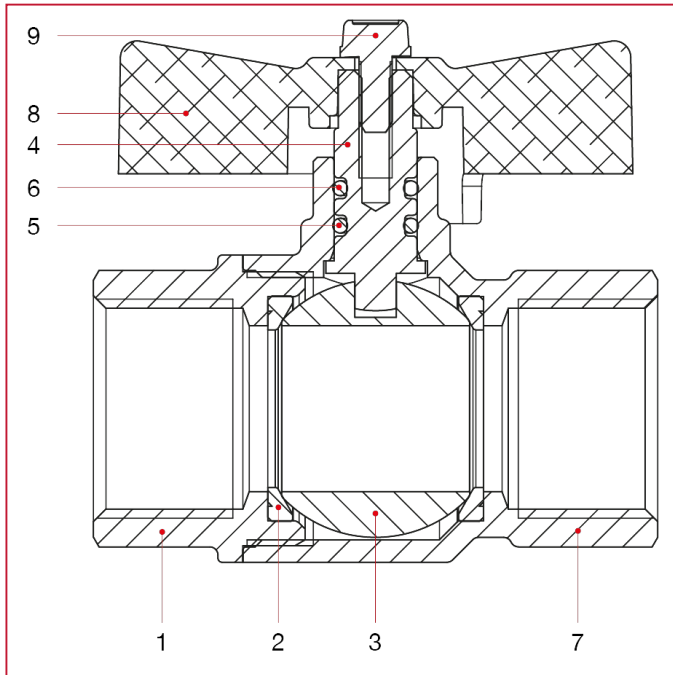




# FULL FLOW GAS BALL VALVES: LONDON

## 068 London ball valve, full flow

**MATERIALS** sizes 1/4" through 3/8"

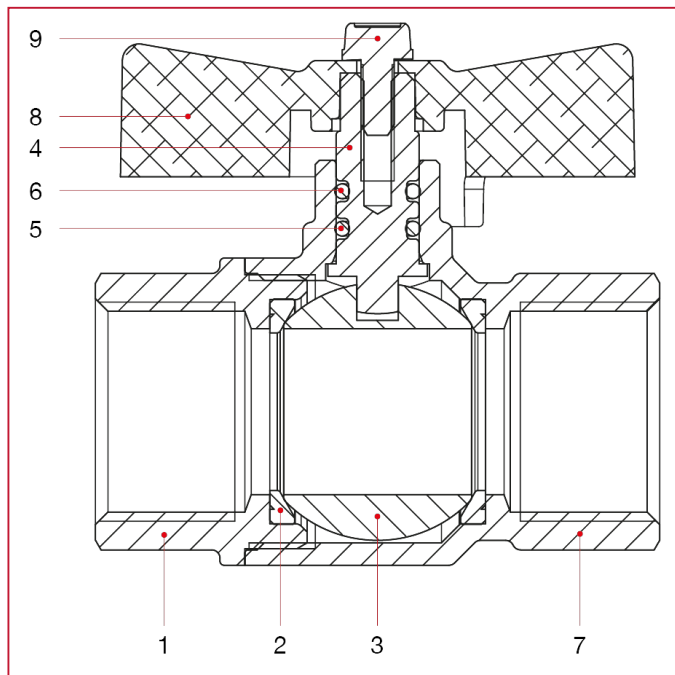


POS.	DESCRIPTION	N.	MATERIAL
1	Female end adapter	1	Nickel-plated brass CW617N
2	Seat	2	P.T.F.E.
3	Ball	1	Chrome-plated brass CW614N
4	Stem	1	Brass CW614N
5	O-ring	1	NBR
6	O-ring	1	Viton®
7	Body	1	Nickel-plated brass CW617N
8	T handle	1	Varnished aluminium
9	Screw	1	Zinc-plated steel C4C



# FULL FLOW GAS BALL VALVES: LONDON

**MATERIALS sizes 1/2" through 1"**



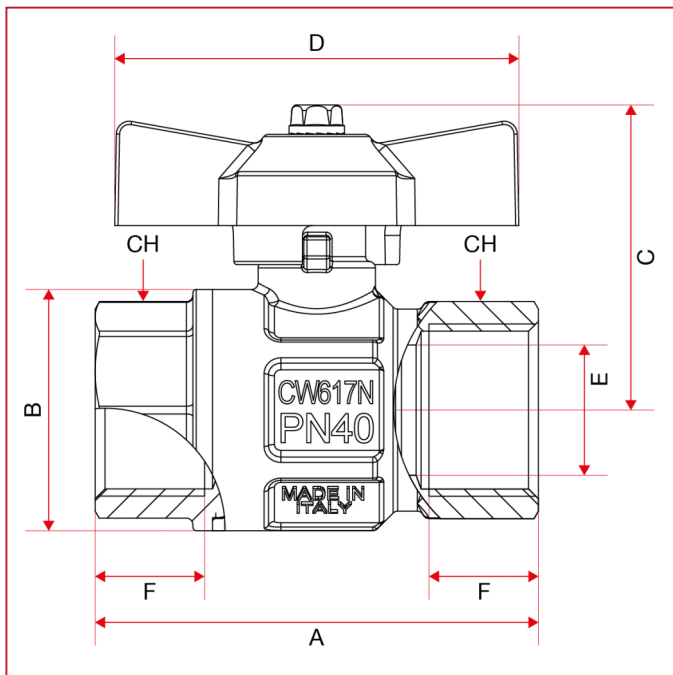
POS.	DESCRIPTION	N.	MATERIAL
1	Female end adapter	1	Nickel-plated brass CW617N
2	Seat	2	P.T.F.E.
3	Ball	1	Chrome-plated brass CW617N
4	Stem	1	Brass CW614N
5	O-ring	1	NBR
6	O-ring	1	Viton®
7	Body	1	Nickel-plated brass CW617N
8	T handle	1	Varnished aluminium
9	Screw	1	Zinc-plated steel C4C



# FULL FLOW GAS BALL VALVES: LONDON

## 068 London ball valve, full flow

### OVERALL DIMENSIONS



	1/4"	3/8"	1/2"	3/4"	1"
DN	8	10	15	20	25
A	49,5	52,4	61	68	85
B	23,5	24	30,5	37	45,5
C	37,3	37,3	43,8	46,8	50,8
D	47	47	54	62	62
E	10	10	15	20	25
F	11	11,4	15	16,3	19,1
CH	18	21	25	31	38
Kg/cm <sup>2</sup> bar	5	5	5	5	5
LBS - psi	72,5	72,5	72,5	72,5	72,5