

# Data sheet



## Prestabo Adapter with SC-Contur

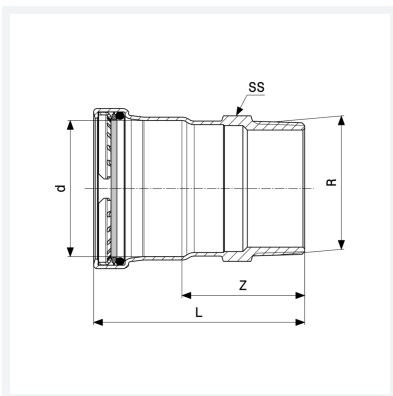
- press connection, R-thread

### Components

EPDM sealing element, polygon

**Model 1111**

**Article 559 052**



## Properties

VdS certification	VdS	✓
Pipe external diameter	d	35
Male thread conical	R	1¼
Z-dimension	Z	36 mm
Length	L	62 mm
Spanner size	SS	46 mm
Weight	214 g	
Volume	248.64 cm <sup>3</sup>	
Material	non-alloyed steel, galvanised	