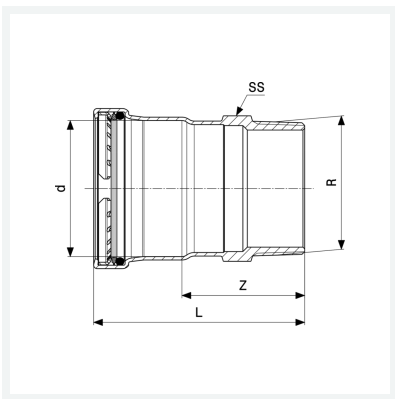


Data sheet



**Prestabo Adapter
with SC-Contur**
- press connection, R-thread
Components
EPDM sealing element, polygon
Model 1111

Article 559 038



Properties

VdS certification	VdS	✓
Pipe external diameter	d	22
Male thread conical	R	¾
Z-dimension	Z	26 mm
Length	L	49 mm
Spanner size	SS	27 mm
Weight	62 g	
Volume	95.631 cm ³	
Material	non-alloyed steel, galvanised	