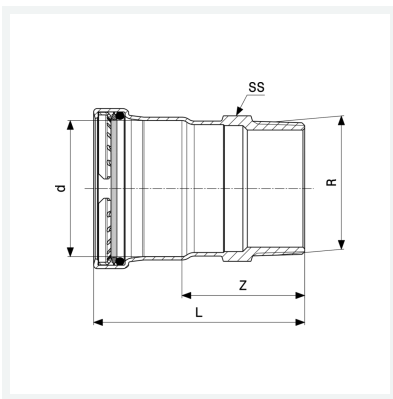


Data sheet



**Prestabo Adapter
with SC-Contur**
- press connection, R-thread
Components
EPDM sealing element, polygon
Model 1111
Article 559 007



Properties

Pipe external diameter	d	15
Male thread conical	R	½
Z-dimension	Z	24 mm
Length	L	46 mm
Spanner size	SS	22 mm
Weight	49 g	
Volume	82.88 cm ³	
Material	non-alloyed steel, galvanised	