



**Prestabo T-piece
with SC-Contur**

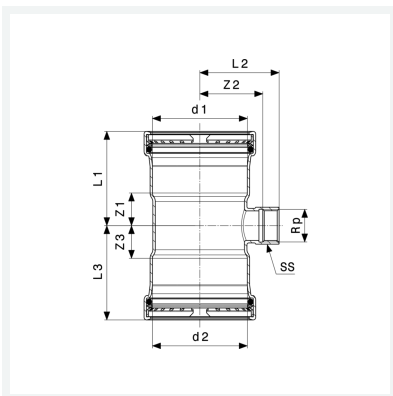
- press connections, Rp-thread

Components

EPDM sealing elements, polygon

Model 1117.2

Article 558 901



Properties

VdS certification	VdS	✓
Pipe external diameter 1	d1	22
Female thread cylindrical	Rp	½
Pipe external diameter 2	d2	22
Z-dimension 1	Z1	22 mm
Z-dimension 2	Z2	17 mm
Z-dimension 3	Z3	22 mm
Length 1	L1	45 mm
Length 2	L2	32 mm
Length 3	L3	45 mm

Data sheet



**Prestabo T-piece
with SC-Contur
Model 1117.2
Article 558 901**

Properties

Spanner size	SS	24 mm
Weight	106 g	
Volume	165.76 cm ³	
Material	non-alloyed steel, galvanised	