



**Prestabo T-piece
with SC-Contur**

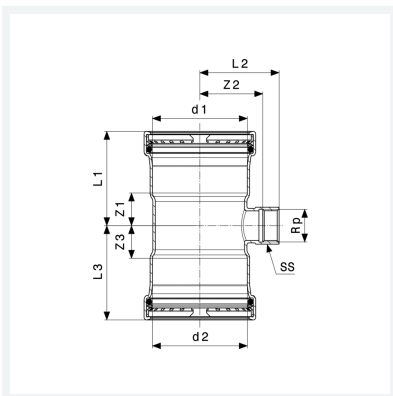
- press connections, Rp-thread

Components

EPDM sealing elements, polygon

Model 1117.2

Article 558 918



Properties

VdS certification	VdS	✓
Pipe external diameter 1	d1	28
Female thread cylindrical	Rp	1/2
Pipe external diameter 2	d2	28
Z-dimension 1	Z1	21 mm
Z-dimension 2	Z2	21 mm
Z-dimension 3	Z3	21 mm
Length 1	L1	45 mm
Length 2	L2	36 mm
Length 3	L3	45 mm

Data sheet



**Prestabo T-piece
with SC-Contur
Model 1117.2
Article 558 918**

Properties

Spanner size	SS	24 mm
Weight	126 g	
Volume	248.64 cm ³	
Material	non-alloyed steel, galvanised	