

Data sheet



Advantix Odour barrier

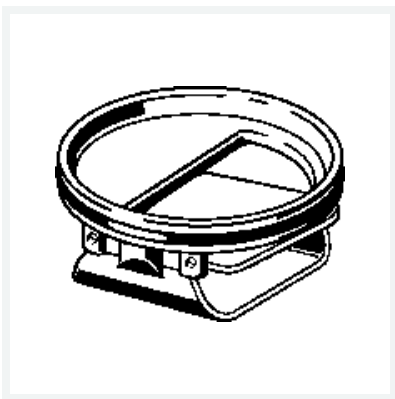
- system dimension 100
- without: water seal protection

Scope of supply

2 shutter valves

Model 4944.8

Article 583 262



Properties

Weight	58.6 g
Volume	621.6 cm ³