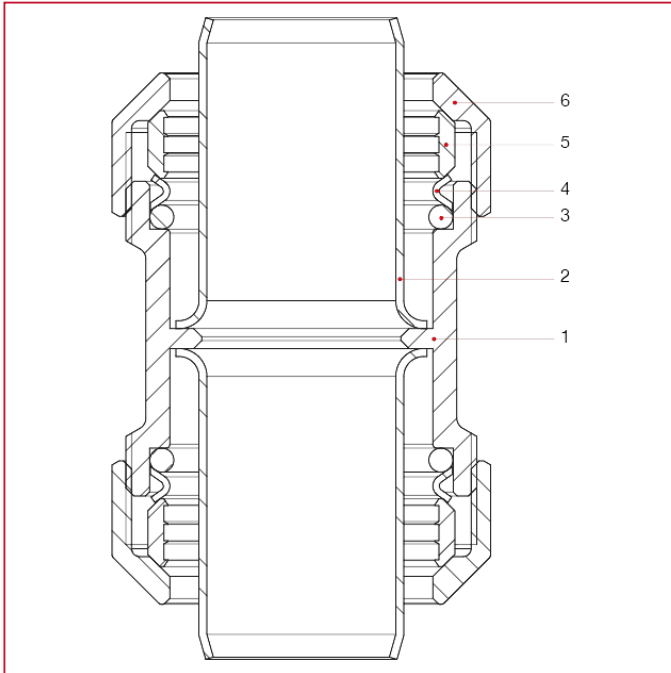




# VX-N FITTINGS FOR POLYETHYLENE PIPES

## 720 Straight coupling

### MATERIALS



POS.	DESCRIPTION	N.	MATERIAL
1	Body	1	Brass CW617N
2	Liner	2	Stainless steel AISI 304
3	O-ring	2	NBR
4	O-Ring pushing washer	2	Stainless steel AISI 304
5	Fastening ring	2	Brass CW617N
6	Tightening nut	2	Brass CW617N



# VX-N FITTINGS FOR POLYETHYLENE PIPES

## 720 Straight coupling

### INSTRUCTIONS INSTALLATION

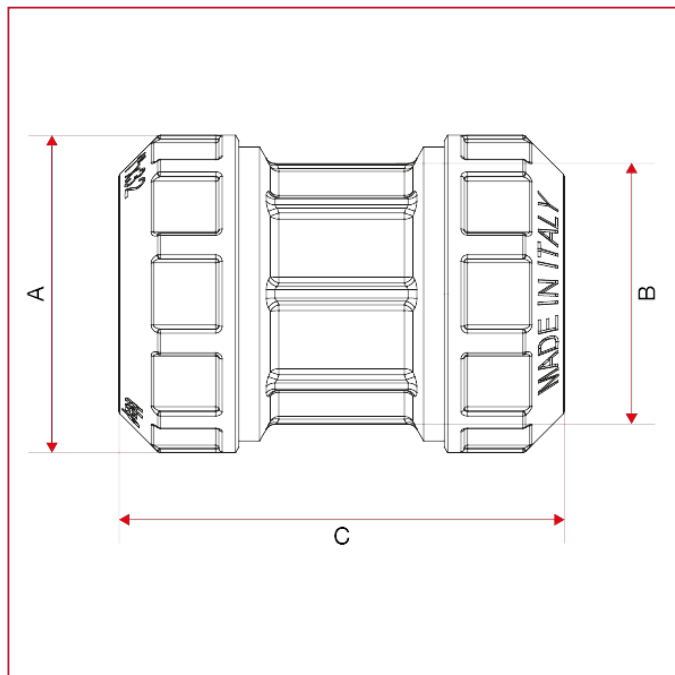




## VX-N FITTINGS FOR POLYETHYLENE PIPES

### 720 Straight coupling

#### OVERALL DIMENSIONS



	20	25	32	40
A	32	38	47,5	58
B	26	32	39	48
C	46,5	55	67	75