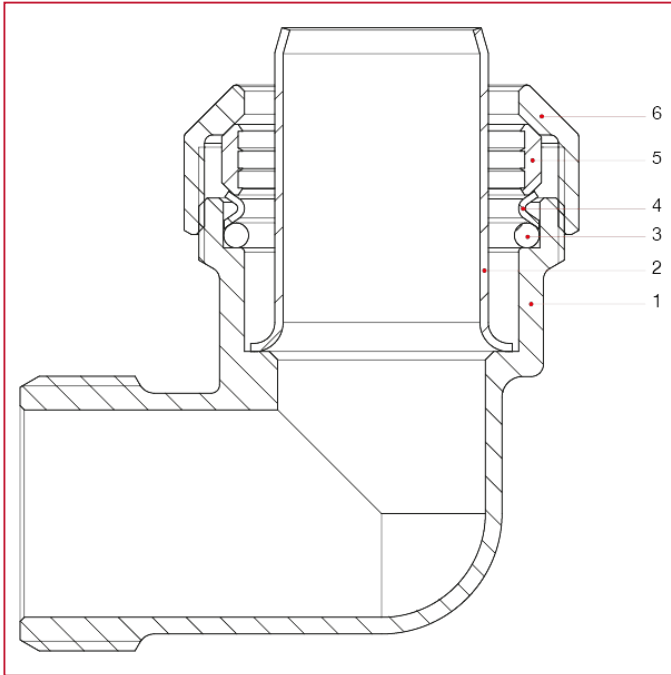




VX-N FITTINGS FOR POLYETHYLENE PIPES

740 Male elbow

MATERIALS



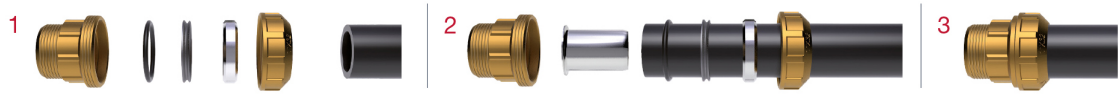
POS.	DESCRIPTION	N.	MATERIAL
1	Body	1	Brass CW617N
2	Liner	1	Stainless steel AISI 304
3	O-ring	1	NBR
4	O-Ring pushing washer	1	Stainless steel AISI 304
5	Fastening ring	1	Brass CW617N
6	Tightening nut	1	Brass CW617N



VX-N FITTINGS FOR POLYETHYLENE PIPES

740 Male elbow

INSTRUCTIONS INSTALLATION

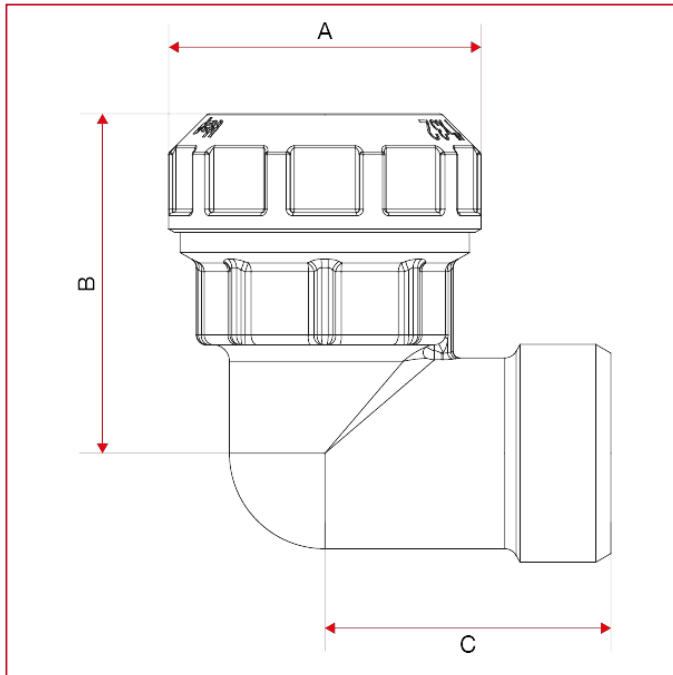




VX-N FITTINGS FOR POLYETHYLENE PIPES

740 Male elbow

OVERALL DIMENSIONS



	1/2"x20	3/4"x25	1"x32	1"1/4x40
A	32	38	47,5	58
B	35	41,5	51,5	59,5
C	31	37	43,5	50