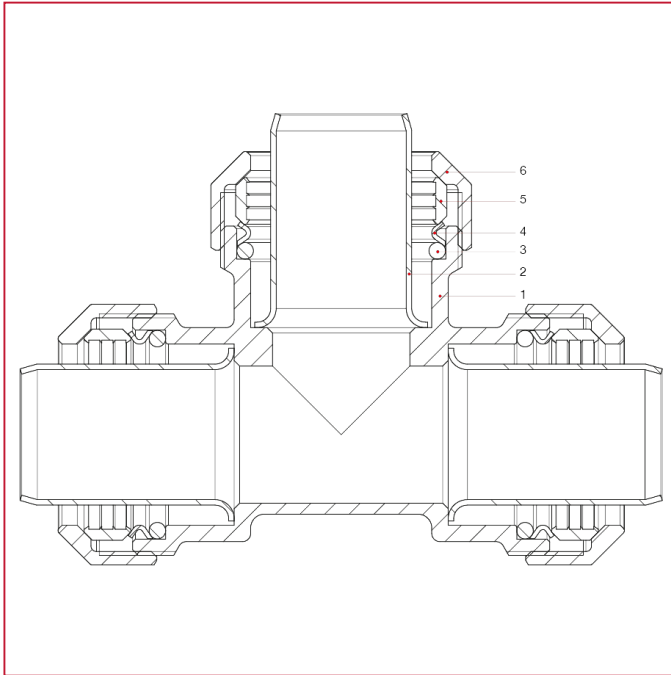




VX-N FITTINGS FOR POLYETHYLENE PIPES

730 Equal T coupling

MATERIALS



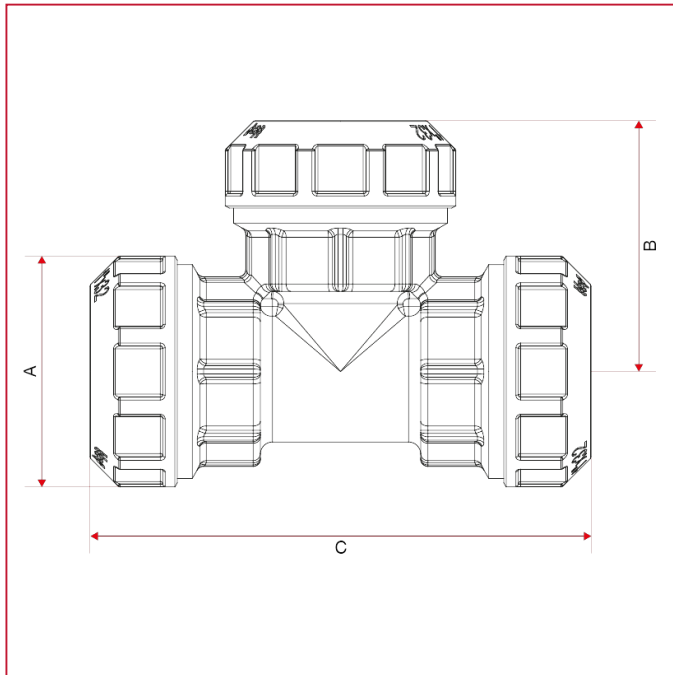
POS.	DESCRIPTION	N.	MATERIAL
1	Body	1	Brass CW617N
2	Liner	3	Stainless steel AISI 304
3	O-ring	3	NBR
4	O-Ring pushing washer	3	Stainless steel AISI 304
5	Fastening ring	3	Brass CW617N
6	Tightening nut	3	Brass CW617N



VX-N FITTINGS FOR POLYETHYLENE PIPES

730 Equal T coupling

OVERALL DIMENSIONS



	20	25	32	40
A	32	38	47,5	58
B	35	41,5	51,5	59,5
C	70	83	103	119



VX-N FITTINGS FOR POLYETHYLENE PIPES

730 Equal T coupling

INSTRUCTIONS INSTALLATION

