

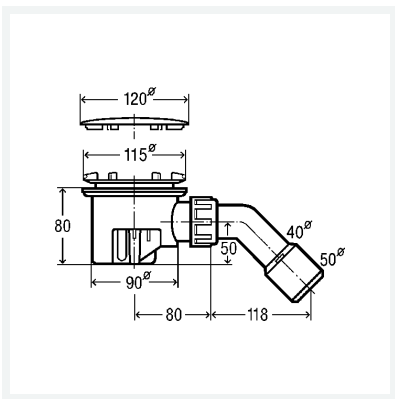
Data sheet



Tempoplex Drain Components

removable odour trap, waste elbow 45°, chrome-plated cover cap
quality controlled in accordance with DIN EN 274
Model 6956EX

Article 364 786



Properties

| | | |
|---|------------------------|----------|
| Water seal height | WSH | 50 mm |
| Drainage capacity 15 mm (in accordance with EN 274) | DC 15 | 0.45 l/s |
| Diameter | Ø | 120 |
| Nominal diameter | DN | 40/50 |
| For flat shower tray with Ø 90 drain hole | D90 | ✓ |
| Weight | 375 g | |
| Volume | 3557.4 cm ³ | |