

Data sheet



Pipe odour trap

- for sink

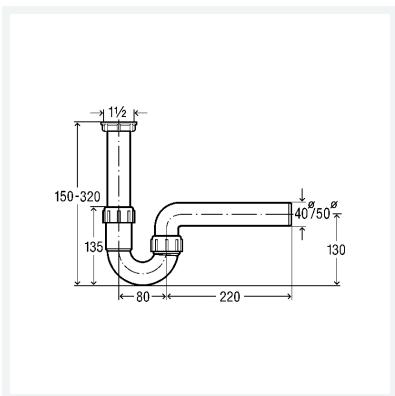
Scope of supply

horizontal drain

quality controlled in accordance with DIN EN 274

Model 7985

Article 105 716



Properties

Cylindrical thread	G	1½
Nominal diameter	DN	40
Weight	200 g	
Volume	2680.594 cm ³	
Material	plastic	