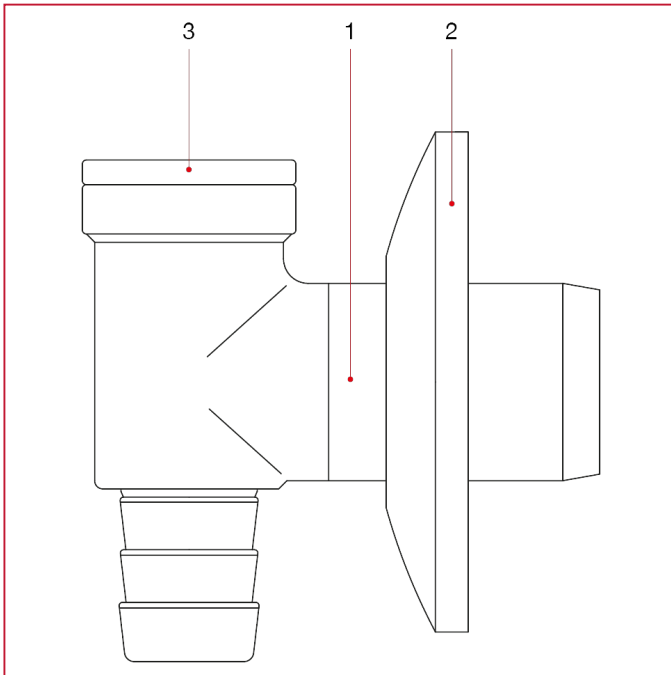




WASHING MACHINE VALVES

390 Drain trap for washing machines

MATERIALS



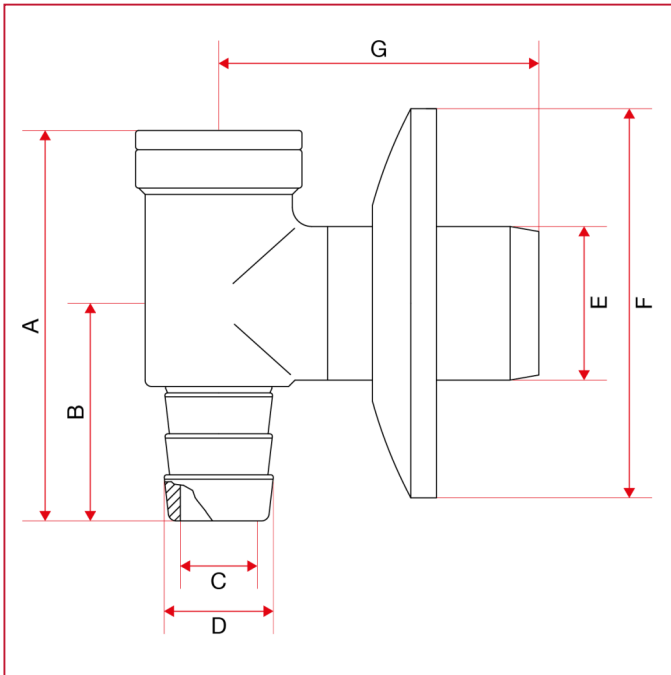
POS.	DESCRIPTION	N.	MATERIAL
1	Body	1	Chrome-plated brass CW617N
2	Cover-plate	1	Stainless steel
3	Cap	1	Chrome-plated brass CW614N
-	4 hole cap	1	POM
-	Spring	1	Stainless steel
-	O-ring	1	NBR



WASHING MACHINE VALVES

390 Drain trap for washing machines

OVERALL DIMENSIONS



	3/4"
A	89
B	46
C	17,5
D	22
E	32
F	80
G	68
Kg/cm ² bar	16
LBS - psi	232