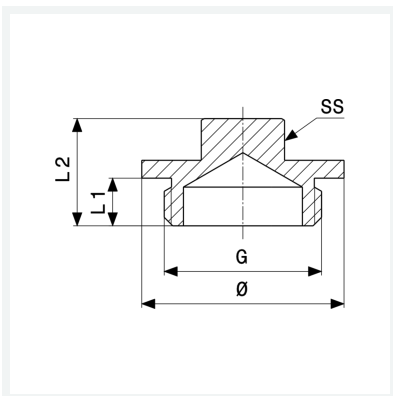


Data sheet



Plug
- G-thread
Components
quadratic
Model 1751

Article 101 626



Properties

Thread cylindrical	G	$\frac{3}{4}$
Length 1	L1	8 mm
Length 2	L2	18 mm
Spanner size	SS	14 mm
Diameter	Ø	34 mm
Weight	42.1 g	
Volume	24.864 cm ³	
Material	brass	