



Suction form piece

- for urinal, flush volume 1–4 l

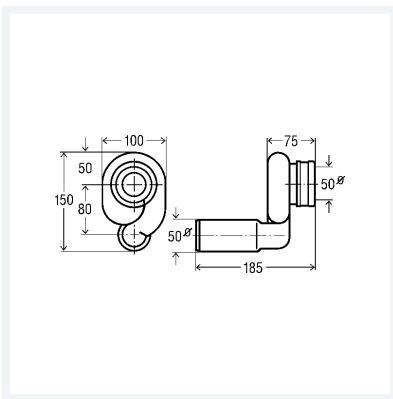
Scope of supply

odour trap, lip seal, horizontal drain

quality controlled in accordance with DIN 19541

Model 3233.9

Article 492 465



Properties

| | | |
|------------------|--------------------------|----|
| Nominal diameter | DN | 50 |
| Weight | 162 g | |
| Volume | 2816.275 cm ³ | |
| Material | plastic | |