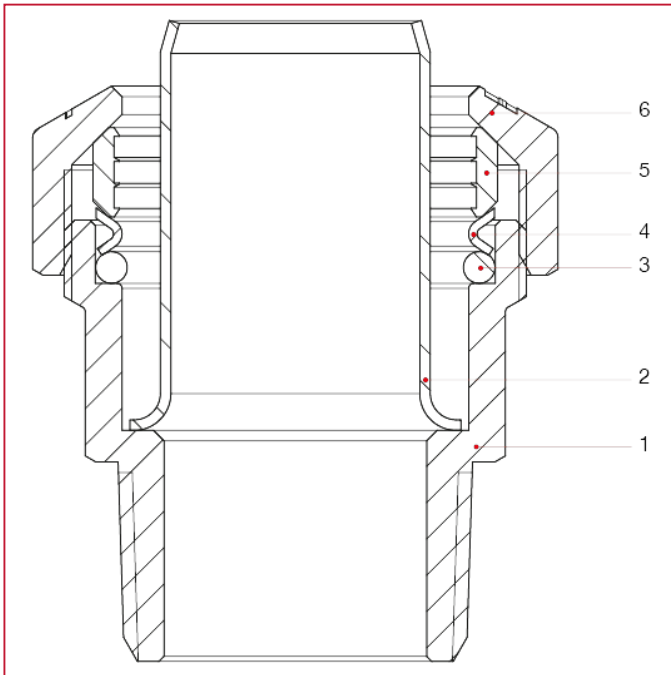




VX FITTINGS FOR POLYETHYLENE PIPES

015 Straight male connector

MATERIALS



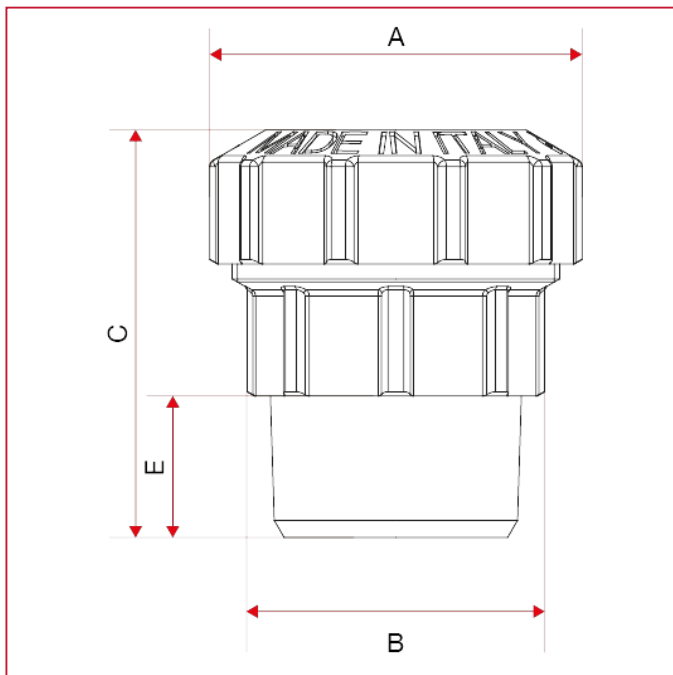
POS.	DESCRIPTION	N.	MATERIAL
1	Body	1	Brass CW617N
2	Liner	1	Stainless steel AISI 304
3	O-ring	1	NBR
4	O-Ring pushing washer	1	Stainless steel AISI 304
5	Fastening ring	1	Nickel-plated brass CW617N
6	Tightening nut	1	Brass CW617N



VX FITTINGS FOR POLYETHYLENE PIPES

015 Straight male connector

OVERALL DIMENSIONS



	1/2"x20	3/4"x25	1"x32	1"1/4x40	1"1/2x50	2"x63
DN	15	20	25	32	40	50
A	34	40	50	61	71	89
B	27	33	40	50	60	75
C	43	48	54,5	62,5	67,5	89
E	15	16,5	19	21,5	21,5	26



VX FITTINGS FOR POLYETHYLENE PIPES

015 Straight male connector

INSTRUCTIONS INSTALLATION



COUPLING COMBINATION 4" X 110mm

