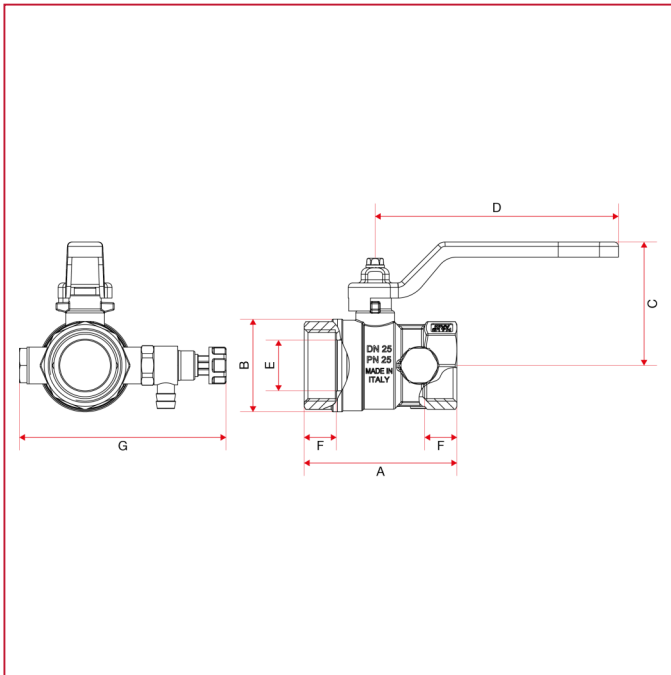




BALL VALVES

115 Standard flow ball valve with revolving drain cock

OVERALL DIMENSIONS



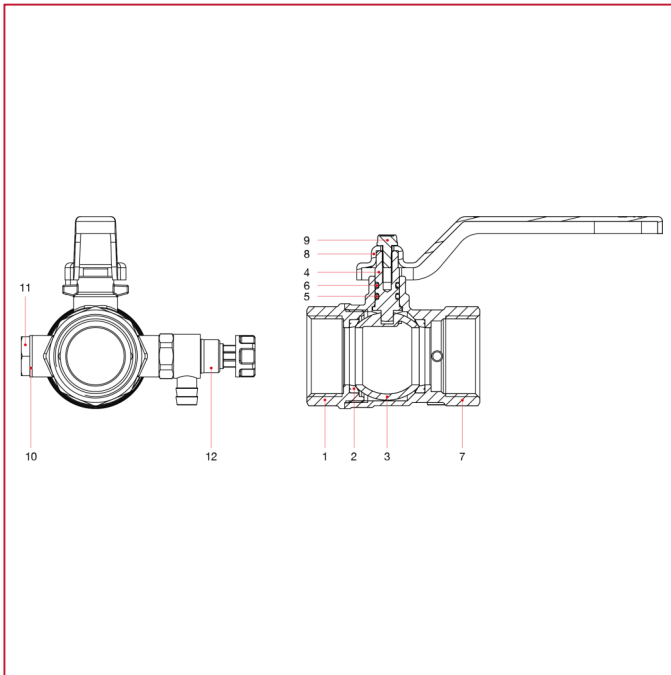
	1/2"	3/4"	1"	1"1/4	1"1/2	2"
DN	15	20	25	32	40	50
A	53	58	71	81	93	108
B	29	36	43	53	63	79
C	40	54	57	73	78	94
D	80	113	113	138	138	158
E	14	18,5	23,5	30	37	47
F	12	12	15	16	18	19
G	84	89	96	104	111	124
Kg/cm ² bar	25	25	25	20	20	20
LBS - psi	362,5	362,5	362,5	290	290	290



BALL VALVES

115 Standard flow ball valve with revolving drain cock

MATERIALS



POS.	DESCRIPTION	N.	MATERIAL
1	Female end adapter	1	Nickel-plated brass CW617N
2	Seat	2	P.T.F.E.
3	Ball	1	Chrome-plated brass CW617N
4	Stem	1	Brass CW614N
5	O-ring	1	NBR
6	O-ring	1	Viton®
7	Body	1	Nickel-plated brass CW617N
8	Lever handle	1	Varnished steel P04
9	Screw	1	Zinc-plated steel C4C
10	Washer	1	Aluminium
11	Plug	1	Nickel-plated brass CW614N
12	Adjustable drain valve	1	Nickel-plated brass CW614N