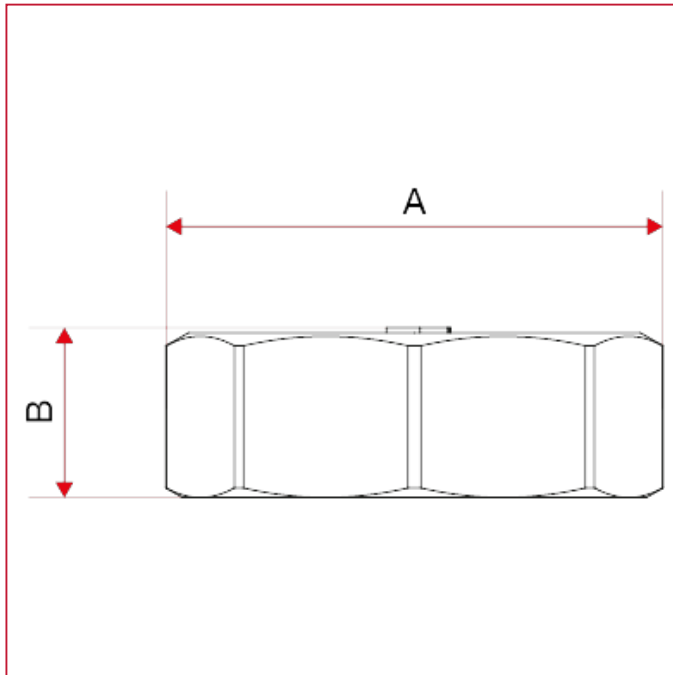




ACCESSORIES FOR MANIFOLDS

496 Female end cap with washer

OVERALL DIMENSIONS



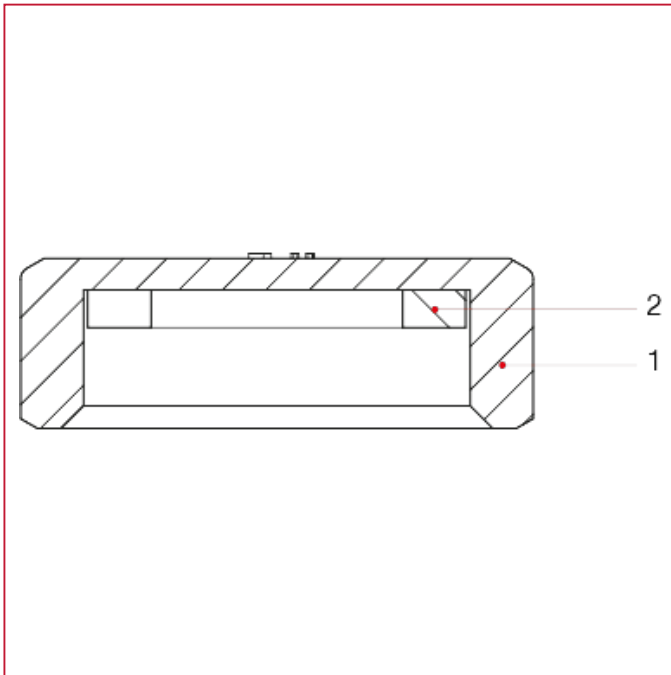
	1/2"	3/4"	1"
A	28	33,3	40,7
B	12,5	12,5	13,5
Kg/cm2 bar	10	10	10
LBS - psi	145	145	145



ACCESSORIES FOR MANIFOLDS

496 Female end cap with washer

MATERIALS



POS.	DESCRIPTION	N.	MATERIAL
1	Cap	1	Nickel-plated brass CW617N
2	Washer	1	NBR