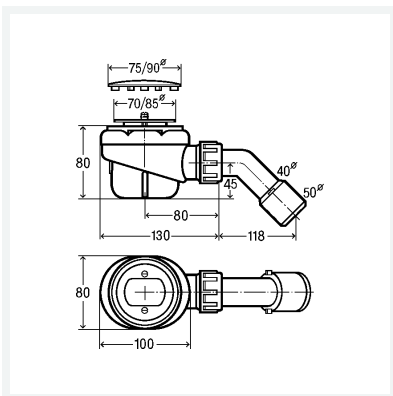


# Data sheet



**Domoplex Drain**  
**quality controlled in accordance with DIN EN 274**  
**Model 6928EX**

**Article 364 755**



## Properties

Water seal height	WSH	50 mm
Drainage capacity (in accordance with EN 274)	DC 120	0.73 l/s
Diameter	Ø	75
Nominal diameter	DN	40/50
For shower trays with Ø 52 drain hole	D52	✓
Version	chrome-plated	
Weight	280 g	
Volume	2816.275 cm <sup>3</sup>	