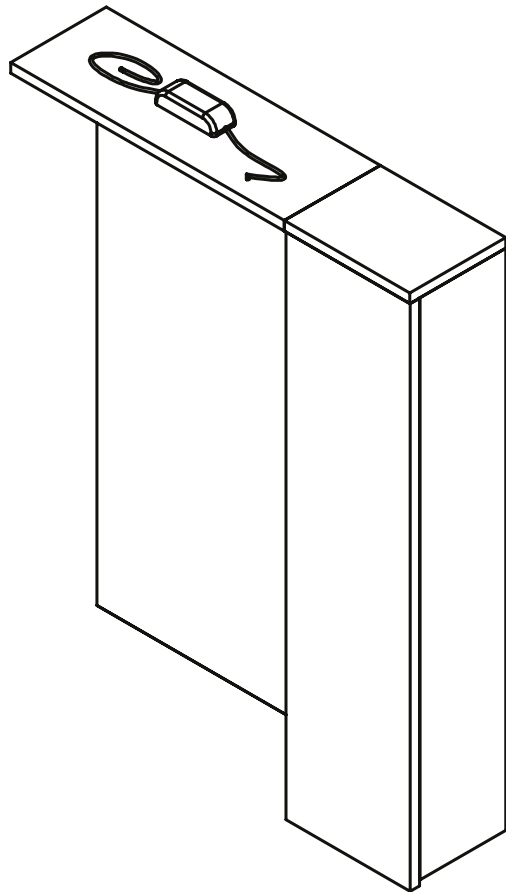


Concepto⁺

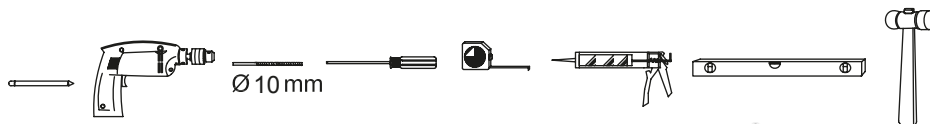


SMART - N14900, N14901, N14902

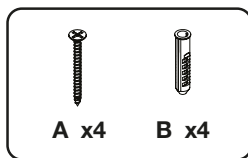
Concepto⁺

Required tools

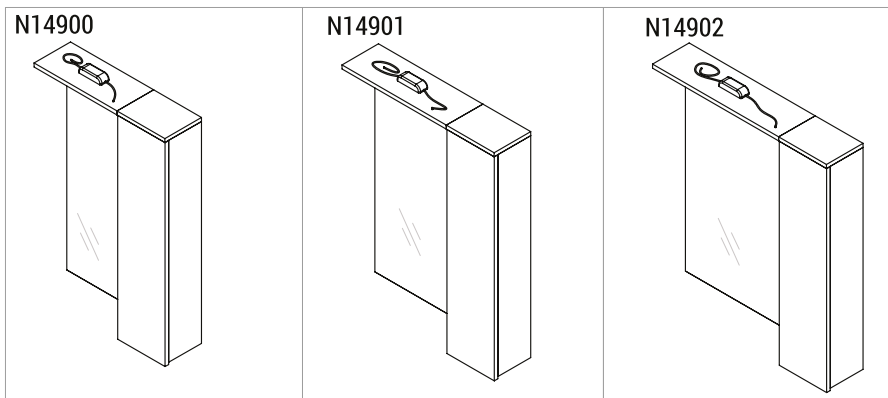
Power Drill; 6,5 and 3 diameter Drill Bits; Philips screwdriver; Plain screwdriver; Spirit Level; Pencil; Plastic hammer; Tape measure; Silicone spray; Line hammer; Monkey wrench

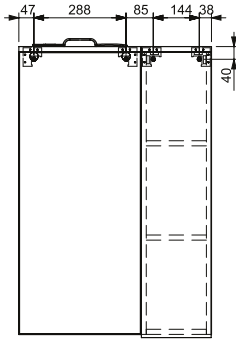


Parts

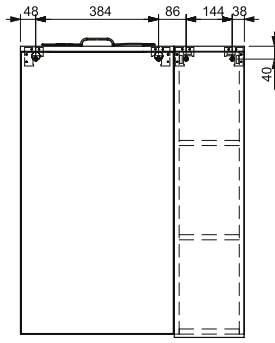


Installation:

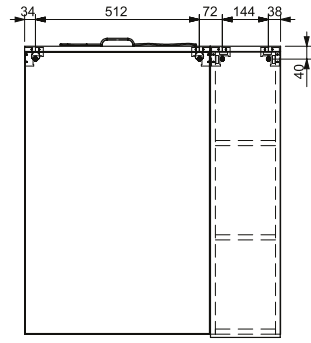




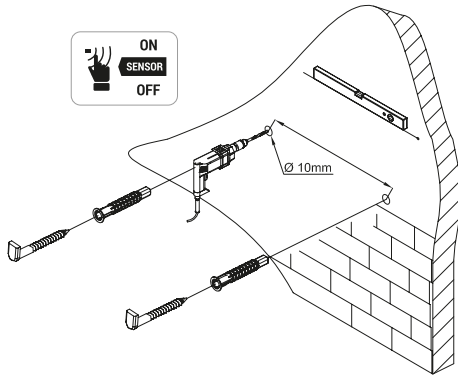
N14900



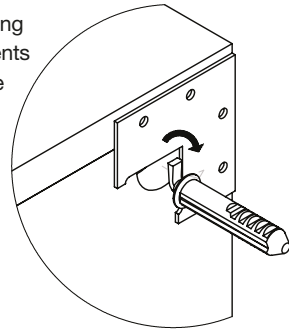
N14901



N14902



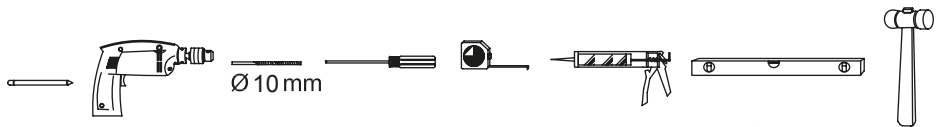
Hanging elements on the wall



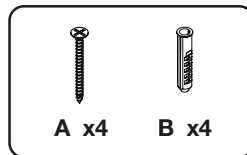
Concepto⁺

Potreban alat

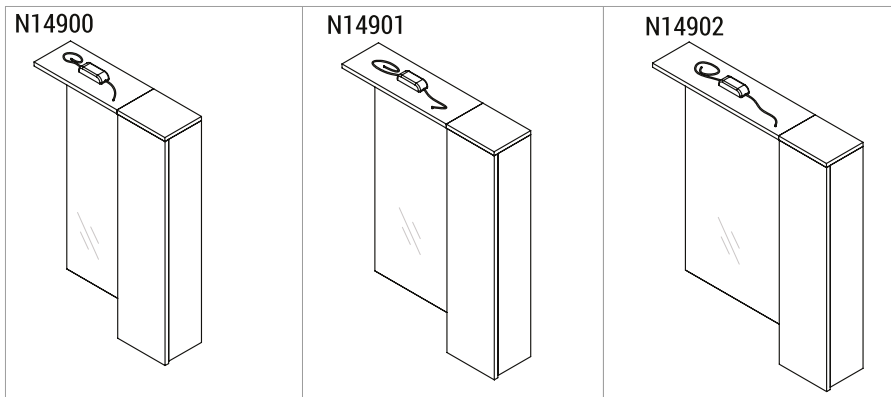
Bušilica, čekić, odvijač, libela, metar, silikonski pištolj + silikon

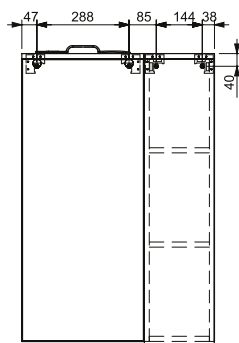


Dijelovi

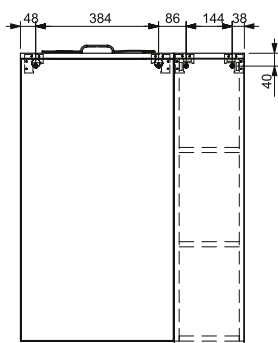


Montaža:

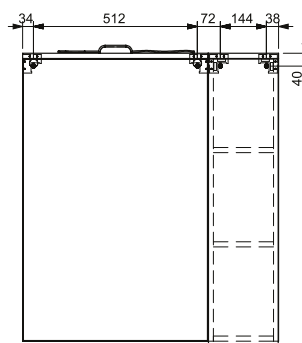




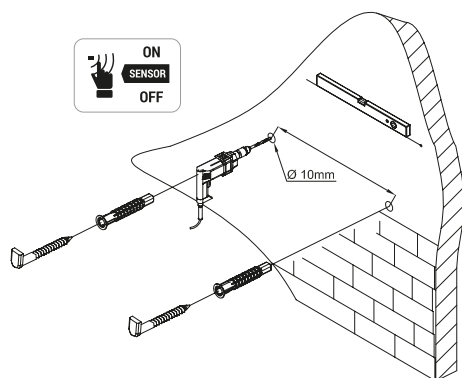
N14900



N14901



N14902



Vješanje
elemenata
na zid

