

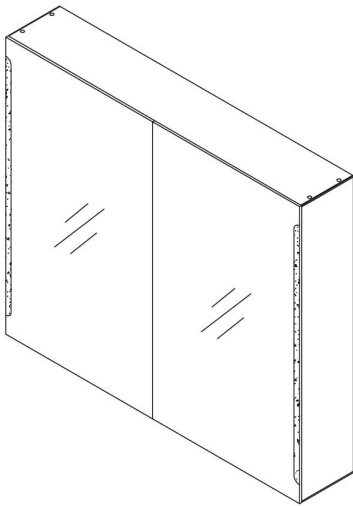
# EN Installation Instruction N14879

## Aluminum Mirror Cabinet with LED

\*Suitable for Hinge Series Wall-hung

### Before You Start & Sa

- \* Unpack and check the product is complete and undamaged.
- \* Ensure the hole on the wall is properly sized and enough wire is left inside.
- \* The initial operation and maintenance of electrical system should be carried out by qualified electrician.
- \* Please cut off the power before installation and replacing the electrical device.
- \* Installation by 2 persons recommended.
- \* When drilling walls check first for hidden pipes and cables.
- \* Handle mirrors with care - support on cardboard to avoid risk of breakage.
- \* All glass is toughened - it cannot be reworked and replaced by ordinary glass.
- \* Keep all small parts away from children.
- \* Read the instructions in full.



Overall view

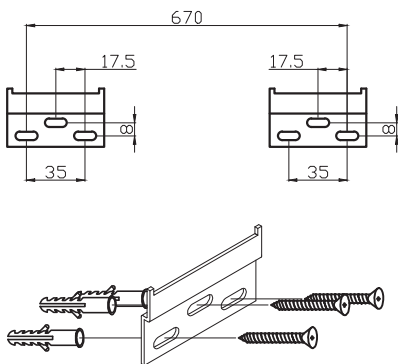


Fig. A

### STEP

1. Determine the final position of the mirror cabinet on the wall.
2. Fix the bracket to the wall using the supplied rawl plugs or alternatively suitable fixings for the wall type (Fig.A.).

**Notice:** use a spirit level to that bracket is level.

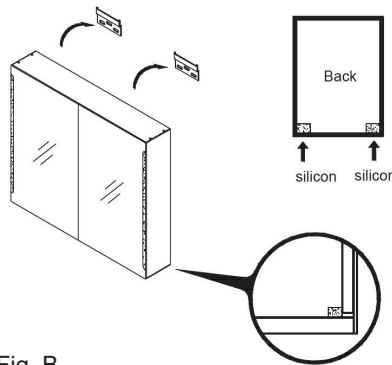


Fig. B

### STEP

1. Correctly connect the wires at the back of the mirror cabinet to the mains electricity supply on the wall.
2. Mount the cabinet on the brackets and check that it is level and stable.
3. Use silicon at marked position of mirror's backside to make sure the frame steady stick to the wall.

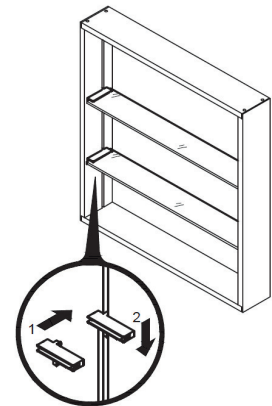
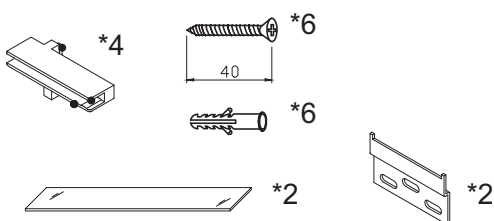


Fig. C

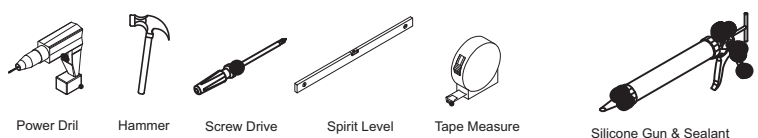
### STEP

1. Insert the shelf holders, and please pay attention to the direction of them.
2. Place the glass shelves onto the shelf holders, and make sure they are tightly locked (Fig.C.).

### PARTS



### TOOLS (not supplied)



# CARE INSTRUCTIONS

## Mirror

- \* Only clean with a damp wash-leather, clean off heavy dirt with clean hot water. Rub edges of mirror dry with a soft cloth. Do not use any cleaners or chemicals, otherwise it will cause damage to coating and erosion of edges.
- \* When opening and closing the mirror door, please take special attention to the opening angle so that could be avoid of the risk of breakage.

## Light diffusers and plastic parts

- \* Clean with soft damp cloth or wash-leather. Do not use any cleaners or chemicals, otherwise it will cause stretch cracks, risk of breakage and marks.
- \* Rubbing with a dry cloth will cause an electronic over-charge on the plastic parts and therefore undesirable dust will collect on the surfaces. If necessary an anti-static product for plastic can be used.

## Aluminum profile surfaces

- \* Do not put wet towel in the cabinet so that could be avoid of oxidation. Remember particularly that products containing gasoline, oils, alcohols and solvents should not be stored in teh cabinet. Could result in chemical attack seriously. Clean with damp and soft towel and dry immediately
- \* Clean with soft damp cloth or wash-leather. Do not use cleansers or chemicals otherwise it will cause surface damage.

## Guarantee conditions

- \* There is no right under the guarantee for damage caused by the chemical effects or inappropriate treatment.