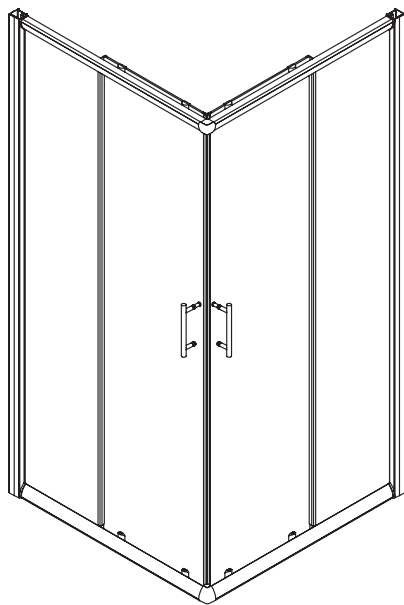


INSTALLATION MANUAL

VOXORT



(HR) Upute za montažu, čišćenje i održavanje

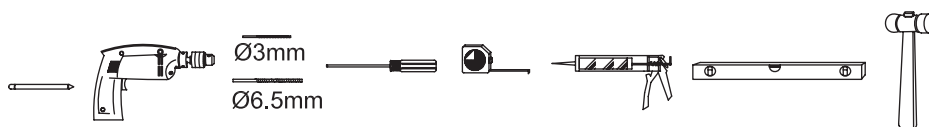
VOXORT

and water is so amazing

Before final assembly please note and check that final installation measure don't suit measure in name. Absolute sealing for all doors, side panels and shower enclosure is not possible. High water resistance.

Before Installation

- ❶ Check the package content carefully before installation.
The manufacturer will not be held responsible for any de-fit / re-fit costs where faulty product has been fitted.
- ❷ Handle glass with care. Although the glass supplied is toughened safety glass (to EN12150), impacts can damage both the glass and the frame.
- ❸ Make sure there are no hidden pipes or cables in the wall where you intend to drill.
- ❹ Tools required:

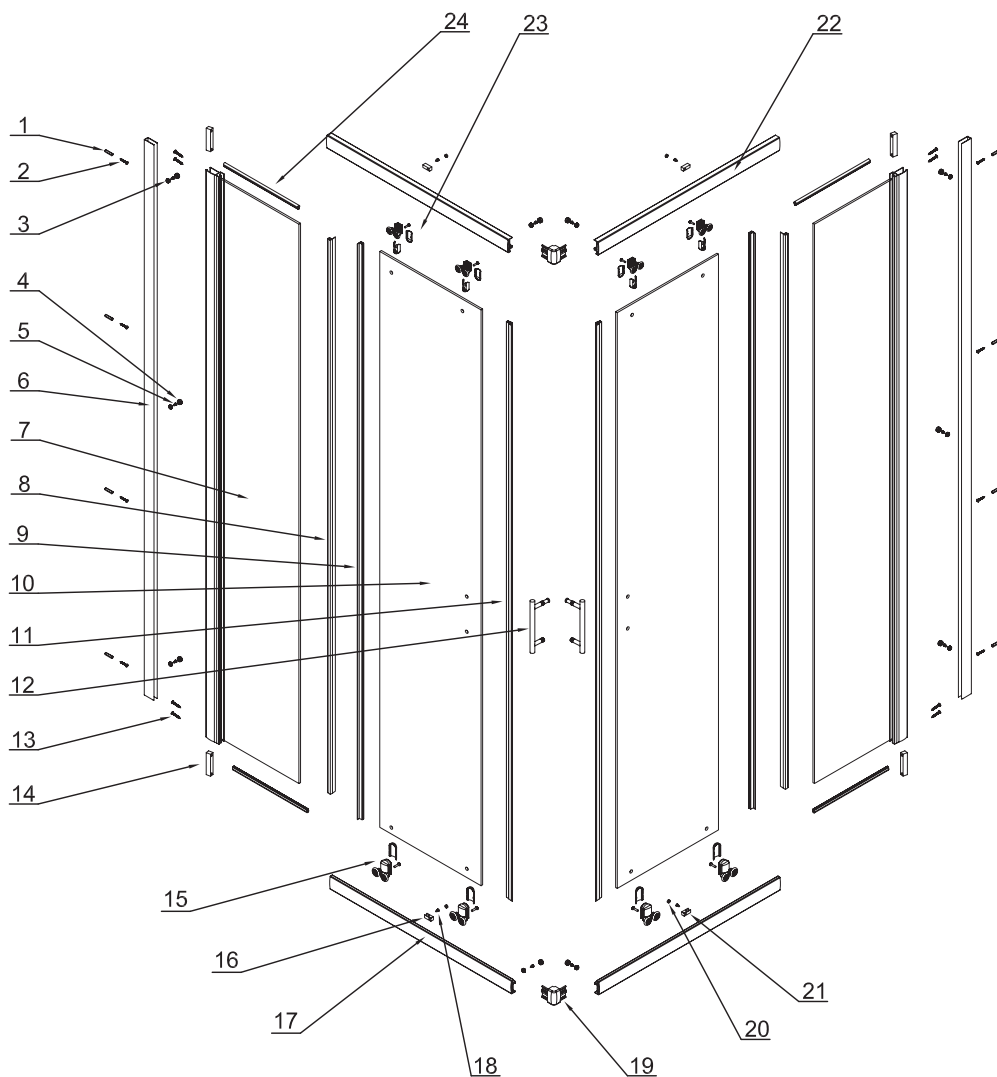


Contents

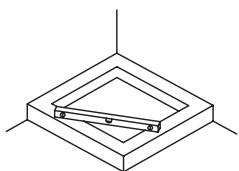
- | | | | |
|----|-------------------------|----|----------------------|
| ❶ | 8 wall plugs | ❶❸ | 8 M4*30 round screws |
| ❷ | 8 M4*30 big head screws | ❶❹ | 4 plugs |
| ❸ | 10 ABS washers | ❶❺ | 4 bottom rollers |
| ❹ | 10 ABS screw caps | ❶❻ | 2 left glass clips |
| ❺ | 6 M4*12 round screws | ❶❼ | 2 bottom tracks |
| ❻ | 2 wall profiles | ❶❽ | 8 M4*8 round screws |
| ❼ | 2 fixed panels | ❶❾ | 2 corner joints |
| ❽ | 2 fixed panel seals | ❶❿ | 4 small screw caps |
| ❾ | 2 door water seals | ❶❶ | 2 right glass clips |
| ❿ | 2 doors | ❶❷ | 2 top tracks |
| ❶❶ | 2 magnetic seals | ❶❸ | 4 top rollers |
| ❶❷ | 2 handles | ❶❹ | 4 water seals |
| | | ❶❺ | 1 bag of lubrication |

VOXORT

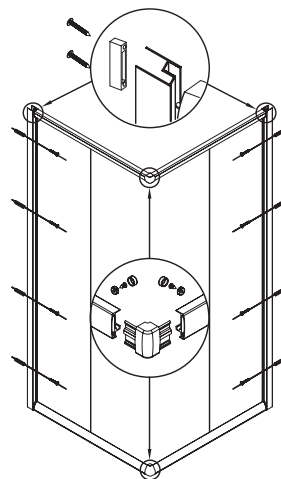
and water is so amazing



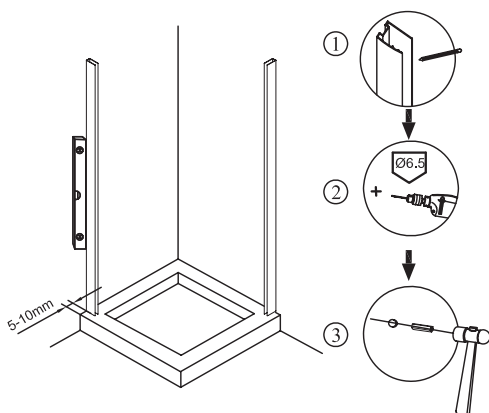
Installation



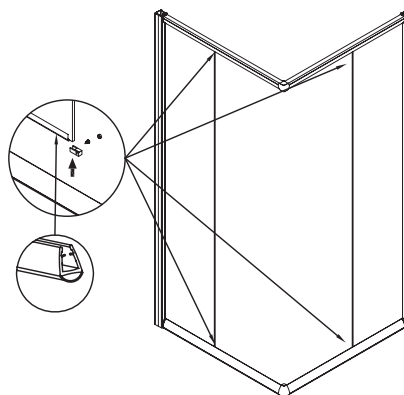
1 Adjust the tray to make it level. Drill holes onto wall according to the above right drawings and put in wall plugs.



2 Connect the top, bottom tracks with upright profiles using screws (13). Join two top tracks and two bottom tracks together using corner joints and fix using screws (18).



3 Fix the wall profiles to wall using screws (2). Make sure the wall profiles vertical, insert the frame into wall profiles.

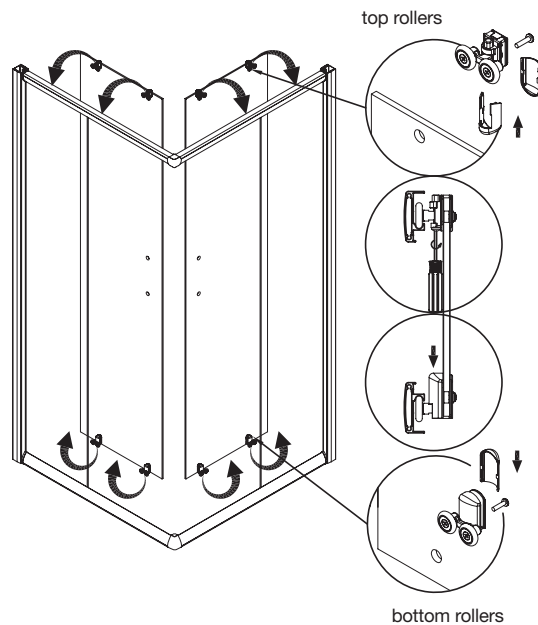


4 Fit glass clips (16), (21) to the fixed panel end. Insert fixed glass panels into upright profiles, tighten glass clips to glass using screws (18), cover screw caps (20).

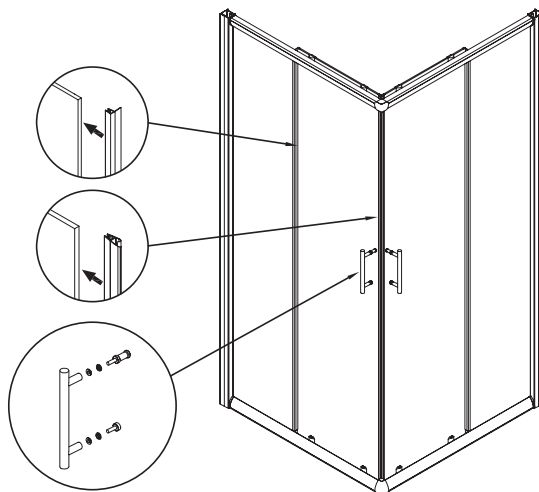
VOXORT

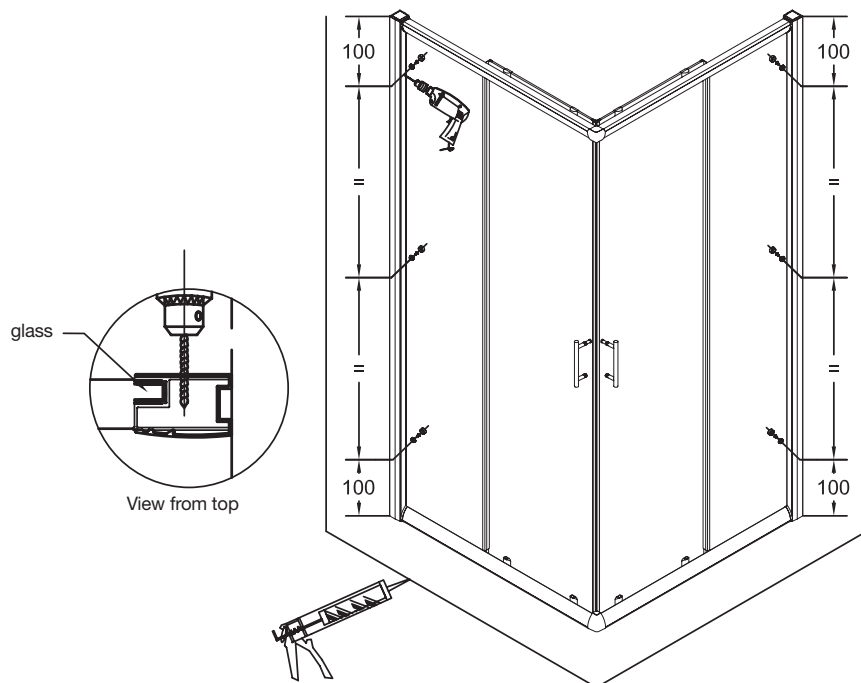
and water is so amazing

5 Fit the top and bottom rollers to door, hang the top rollers into the top track, then press the buttons of the bottom rollers into the bottom track.



6 Fit water seals (8),(9), magnetic seals (11) and handles (12).





- 7** Adjust the bottom screws of top rollers to make the door close squarely. When one of the top rollers is adjusted to its maximum and the door still can't close squarely, please stop adjusting it to avoid permanent damage, and begin to adjust the others. Put the roller covers on.
- 8** Drill Ø3 holes from inside of profiles where profiles overlapped and tighten frame with ST4*12 screws.
- 9** Apply sealant to the bottom of the enclosure outside only. You must not use the shower for 24 hours after installation of the enclosure.

Cleaning and maintenance

Maintain and clean your cabin regularly to prevent limescale and closing problems. Clean the shower enclosure with a soft cloth and a mild detergent. Do not clean the cabin with aggressive agents such as alcohol, petrol or other chemicals. If the doors are creaking after the cabin is installed, you can put lubricant on the wheel roller, profile.



**UPUTE ZA MONTAŽU,
ČIŠĆENJE I ODRŽAVANJE
BLUE TUŠ KABINE**

VOXORT

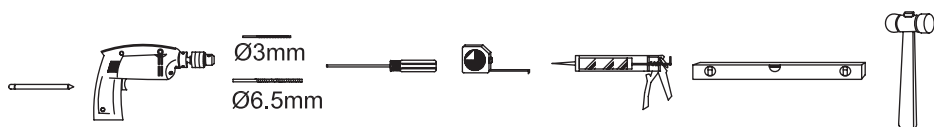
and water is so amazing

**Prije ugradnje provjerite ugradne mjere
budući da se one uvijek razlikuju od
nazivnih. Apsolutno brtvljenje tuš kabina
i/ili vrata/stranica nije moguće.**

Visoka vodonepropusnost.

Prije instalacije

- ❶ Pažljivo provjerite sadržaj pakiranja. Distributer neće prihvatiti nikakve reklamacije nakon što je kabina već postavljena.
- ❷ Oprezno rukujte sa staklom. Iako je staklo napravljeno prema sigurnosnoj normi EN12150 udarci mogu oštetiti i staklo i okvir.
- ❸ Provjerite da nema sakrivenih kablova ili cijevi u zidu gdje namjeravate bušiti
- ❹ Osigurajte da je tuš kada montirana prema uputstvima proizvođača. Kada mora biti postavljena u vagu. Vodoravni rub između kade izida mora biti zabrtvljen silkonom radi vodonepropusnosti.
- ❺ Zbog vaše sigurnosti, za instaliranje proizvoda potrebne su 2 osobe. Jedna da podupre proizvod izvana, a druga da osigura iznutra.
- ❻ Potreban alat:

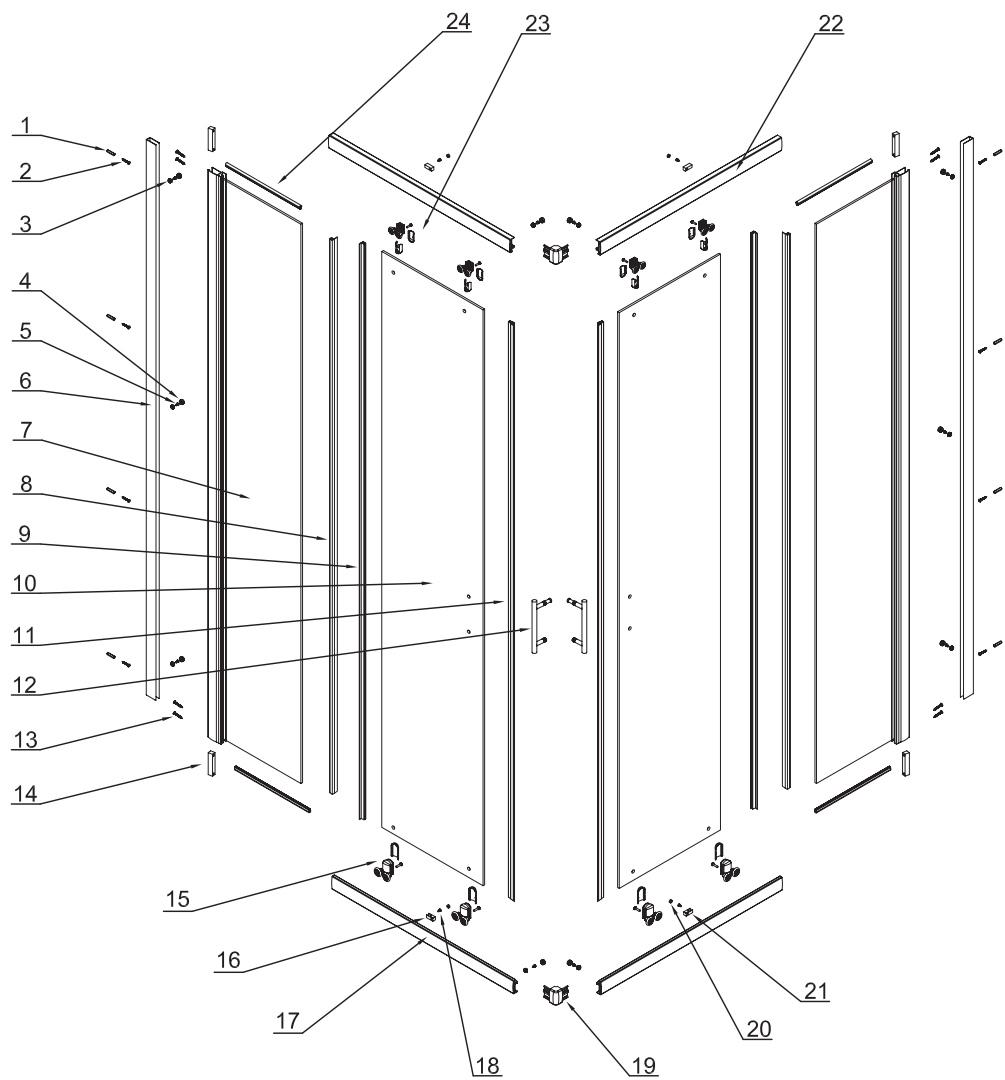


Sadržaj

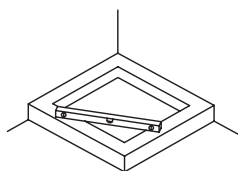
- | | | | |
|----|------------------|----|-------------------|
| ❶ | 8 tipli | ❶❷ | 2 ručke |
| ❷ | 8 vijaka M4x30 | ❶❸ | 8 vijak M4x30 |
| ❸ | 10 ABS podloški | ❶❹ | 4 tiple |
| ❹ | 10 ABS kapica | ❶❺ | 4 donja kotačića |
| ❺ | 6 vijaka M6x12 | ❶❻ | 2 lijeva pipca |
| ❻ | 2 zidna profila | ❶❼ | 2 donje vodilice |
| ❼ | 2 fiksna panela | ❶❽ | 8 vijaka M4x8 |
| ❽ | 2 brtve vrata | ❶❾ | 2 kutnika |
| ❾ | 2 brtve panela | ❶❿ | 4 mala kapice |
| ❿ | 2 vrata | ❶❶ | 2 desna pipca |
| ❶❶ | 2 magnetne brtve | ❶❷ | 2 gornje vodilice |
| | | ❶❸ | 4 gornja kotačića |

VOXORT

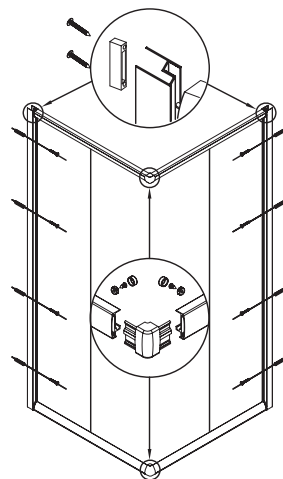
and water is so amazing



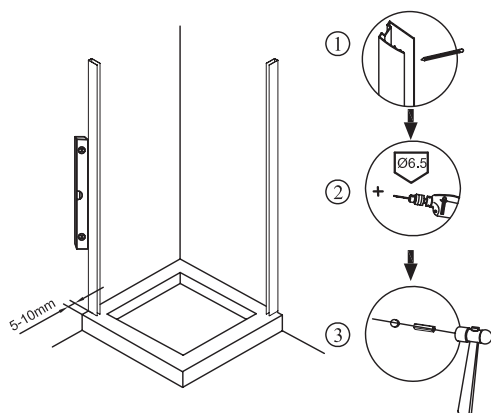
Instalacija



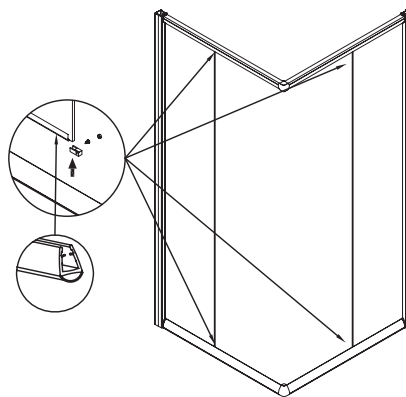
- 1** Prilagodite kadu da bude u vagi. Izbušite rupe u zidu prema desnom crtežu i stavite tiple u njih



- 2** Spojite gornje vodilice sa uspravnim profilima koristeći vijke (13). Spoji 2 gornje i 2 donje vodilice koristeći kutnike i fiksirajte vijcima(18).

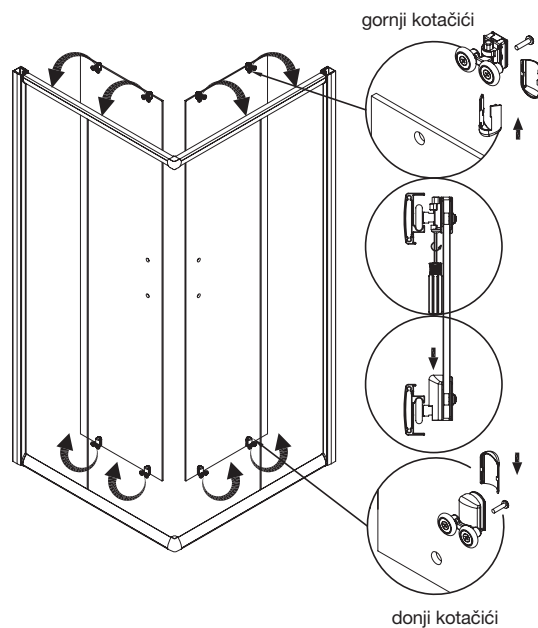


- 3** Montirajte zidne profile na zid koristeći vijke (2). Proverite jesu li profili postavljeni u vertikalu vijke kavicama i umetnite okvir u zidne profile.

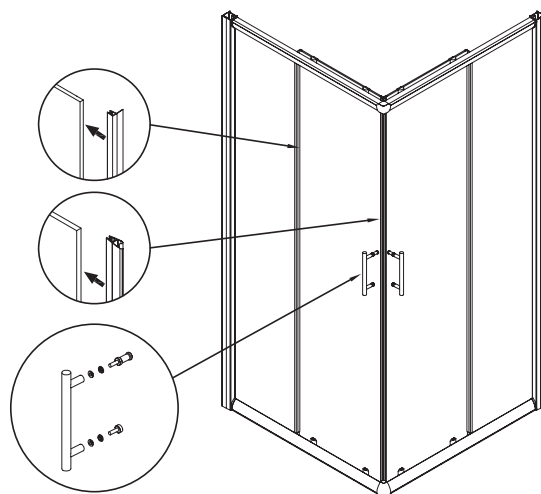


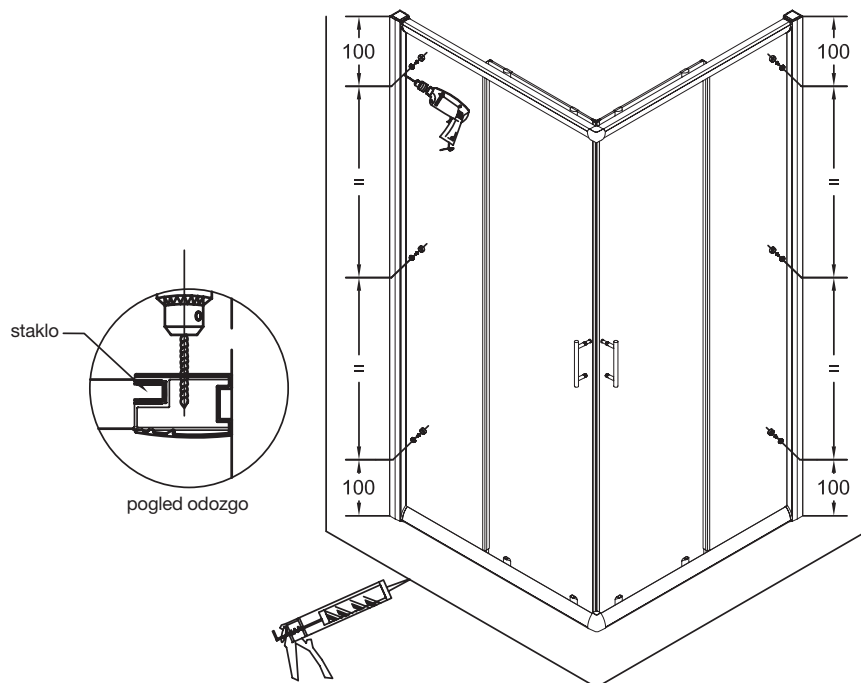
- 4** Postavite pipce (16), (21) na krajeve fiksnih panela. Umetnite fiksne panela u uspravne profile i pričvrstite pipce na staklo koristeći vijke (18), prekrijte vijke kavicama.

- 5** Postavite gornje i donje kotačiće na vrata, objesite gornje kotačiće na gornju vodilicu, nakon toga pritisnite tipku na donjim kotačićima i postavite ih u donju vodilicu



- 6** Postavite brtve (8), (9), magnetsku brtvu (11) i ručke (12).





7 Prilagodite vijke na gornjim kotačićima da bi se vrata zatvorila pod pravim kutem. Kada je jedan od gornjih kotačića pritegnut do maksimuma, a vrata se još ne mogu zatvoriti pod pravim kutem prekinite pritezanje da izbjegnute trajna oštećenja i pokušajte sa ostalima. Stavite kapice na kotačiće.

8 Izbušite 3mm rupe sa unutrašnje strane profila gdje se preklapaju i učvrstite okvir vijcima M4x12

9 Nanesite silikon oko okvira sa vanjske strane te nemojte koristiti kabinu 24 sata nakon instaliranja.

Čišćenje i održavanje

Održavajte i čistite svoju kabinu redovito kako bi spriječili nastanak kamenca i problema prilikom zatvaranja. Čišćenje tuš kabine vršite s mekom krpom i blagim deterdžentom. Kabinu ne čistite s agresivnim sredstvima kao što su alkohol, benzin ili ostala kemijska sredstva. Nakon što je kabina postavljena ukoliko prilikom otvaranja/zatvaranja vrata škripe možete sredstvo za podmazivanje staviti na valjak kotača, profil.