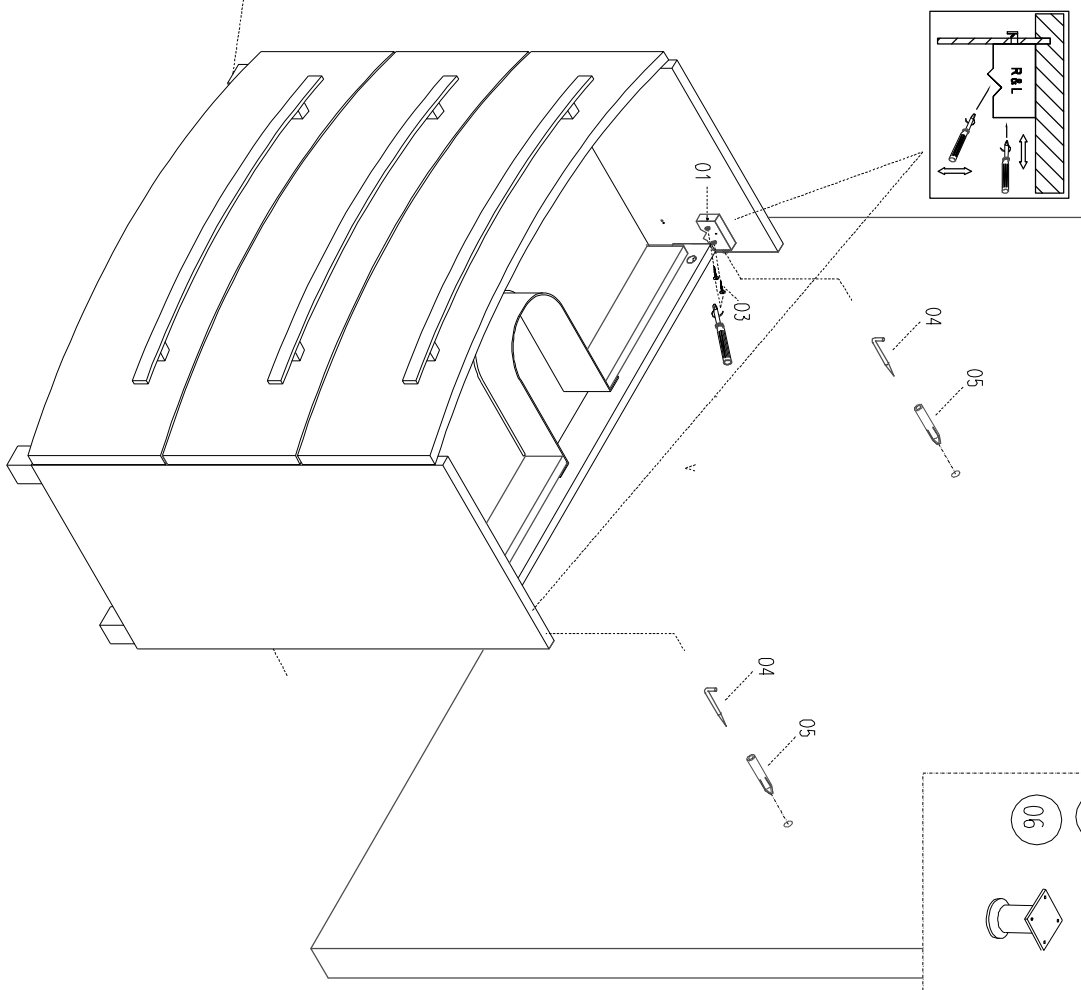
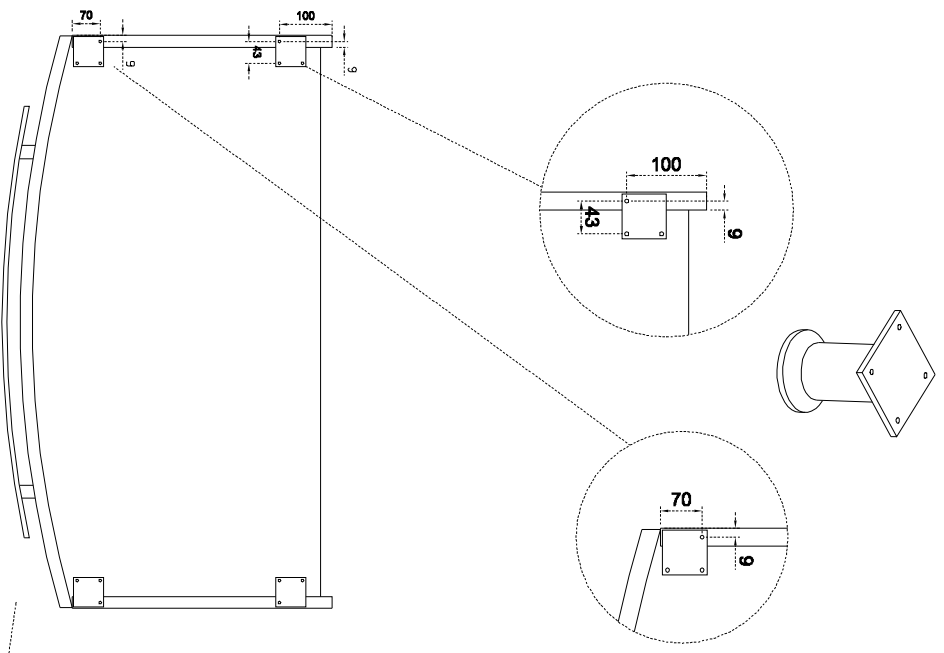


AYAK BAĞLANTI ŞEMESİ
METAL FEET CONNECTION
SCHEME



- | | | |
|----|--------------|---|
| 01 | LEFT / RIGHT | 1 |
| 02 | LEFT / RIGHT | 1 |
| 03 | 4x30 | 4 |
| 04 | | 2 |
| 05 | | 2 |
| 06 | | 4 |