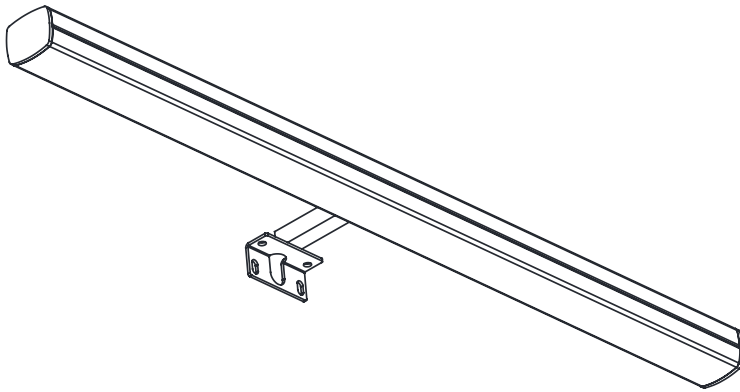


Concepto⁺

INSTALLATION MANUAL

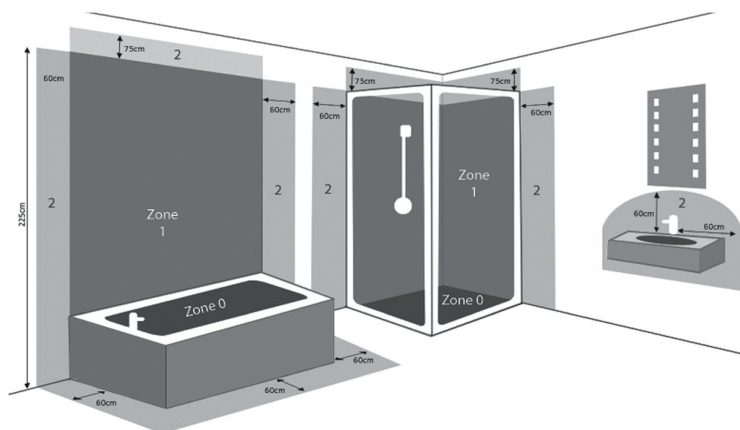


(HR) Upute za montažu, čišćenje i održavanje

Concepto⁺



- 1 To prevent electric shock, turn off the main switch before installation or maintaining.
- 2 Do not install light directly on the electric grid.
- 3 Lamp is suitable only for interior spaces.
- 4 This product is suitable for bathrooms.
- 5 Never look directly into the light - do not use if the lens is missing or damaged.
- 6 This light is IP44 rated making it suitable for Zone 2 (see figure below).



ZONE 0

Inside the bath shower must be SELV (12V max.) due to water submersion. Minimum rating of IP67.

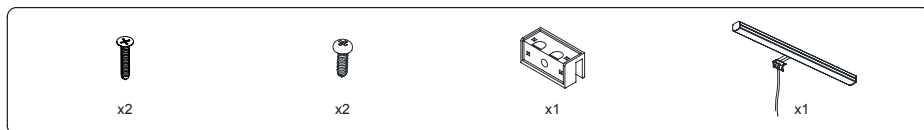
ZONE 1

225 cm above the bath or shower.
Minimum rating of IP44.

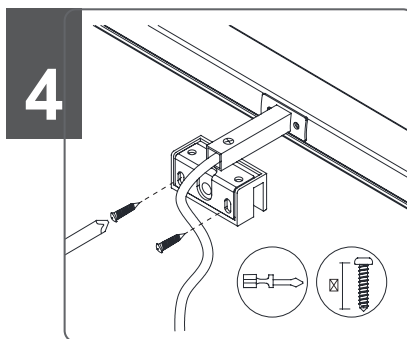
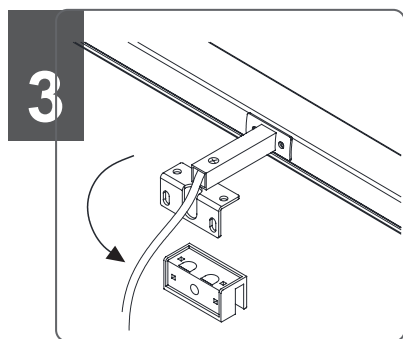
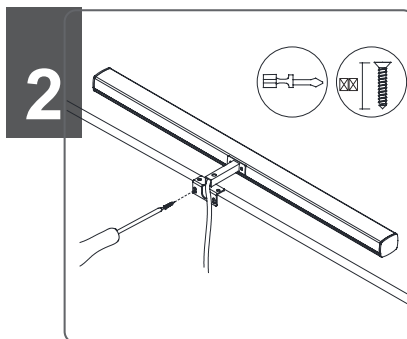
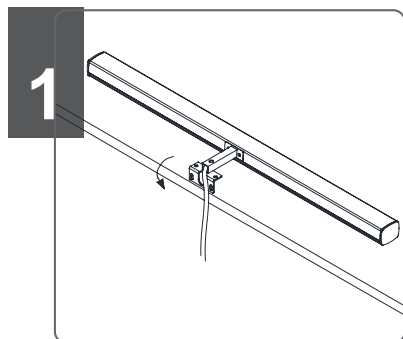
ZONE 2

The area stretching to 60 cm outside of the bath or shower and 60 cm from water outlet of sink. An IP rating of at least IP44 is required.

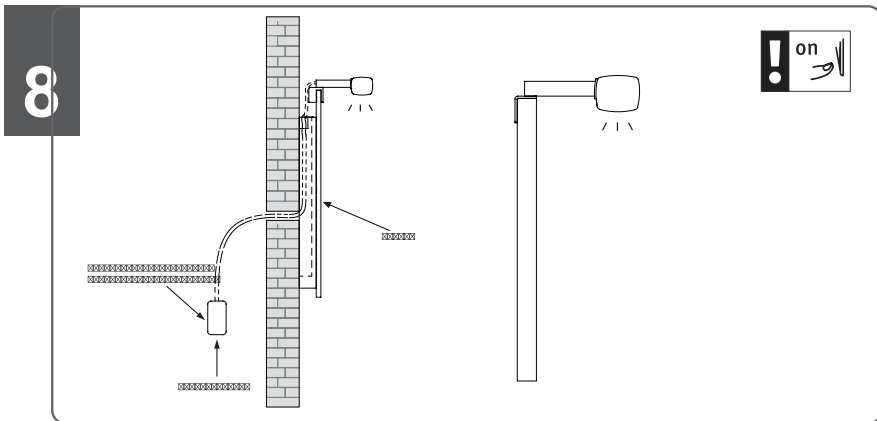
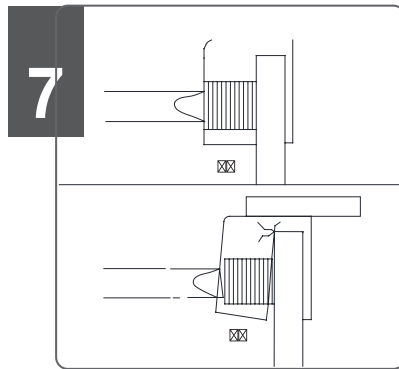
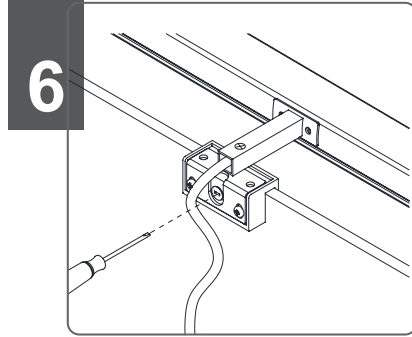
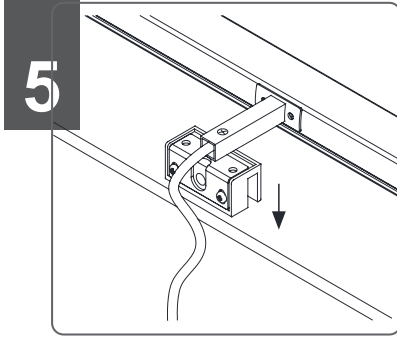
Contents



Installation



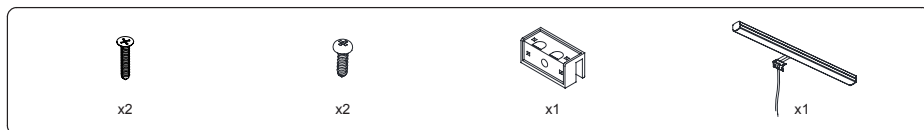
Concepto⁺





UPUTE ZA MONTAŽU, ČIŠĆENJE I ODRŽAVANJE

Sadržaj



Montaža

