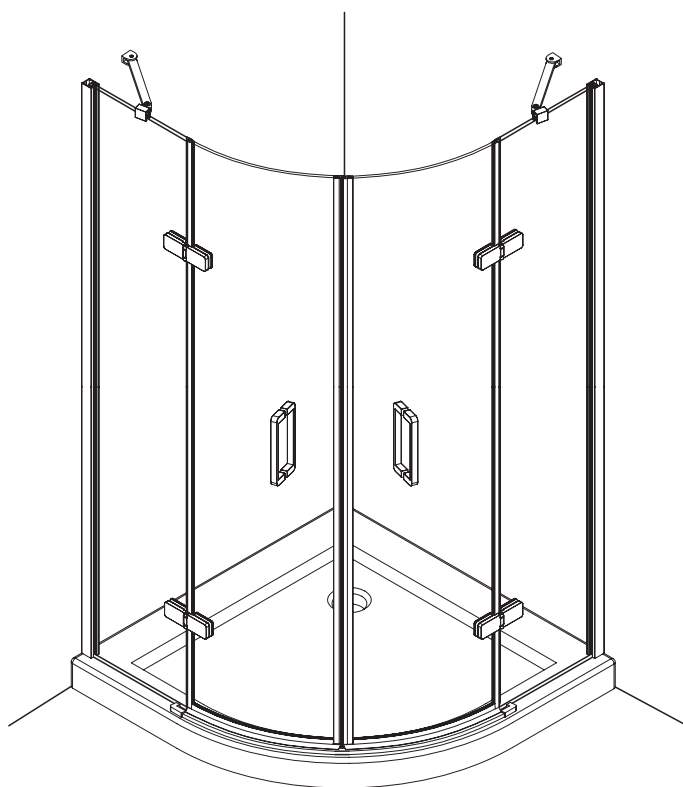


VOXORT

INSTALLATION MANUAL



HR Upute za montažu **BLUE PREMIUM** kabine s pantima

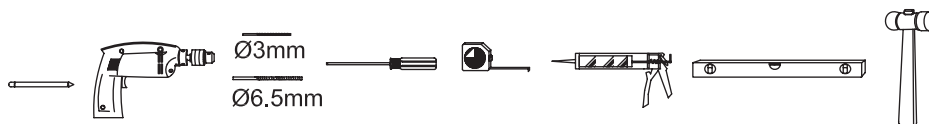
VOXORT

and water is so amazing

Before final assembly please note and check that final installation measure don't suit measure in name. Absolute sealing for all doors, side panels and shower enclosure is not possible. Medium water resistance.

Before Installation

- 1 Please familiarise yourself with the fitting instructions before commencing fitting. Check that you have the tools required.
- 2 Check that the installation site is compatible with the size of door supplied.
- 3 Check all the enclosure components.
- 4 Tools: Power Drill; 6,5 and 3 diameter Drill Bits; Philips screwdriver; Plain screwdriver; Spirit Level; Pencil; Plastic hammer; Tape measure; Silicone spray; Line hammer; Monkey wrench
- 5 Check that the installation kit is complete. DO NOT attempt to install the product unless you can tick ALL 3 boxes as satisfactory.



- The wall plugs supplied with the installation kit are for use in solid walls. Hollow or "stud-partition" walls will require alternative fixings. Please consult a hardware supplier for the correct type.
- Ensure that there is no wire, pipe or any other things hidden in the wall.
- It may also be necessary to consult your tiling supplier about the correct method for drilling your tiles.

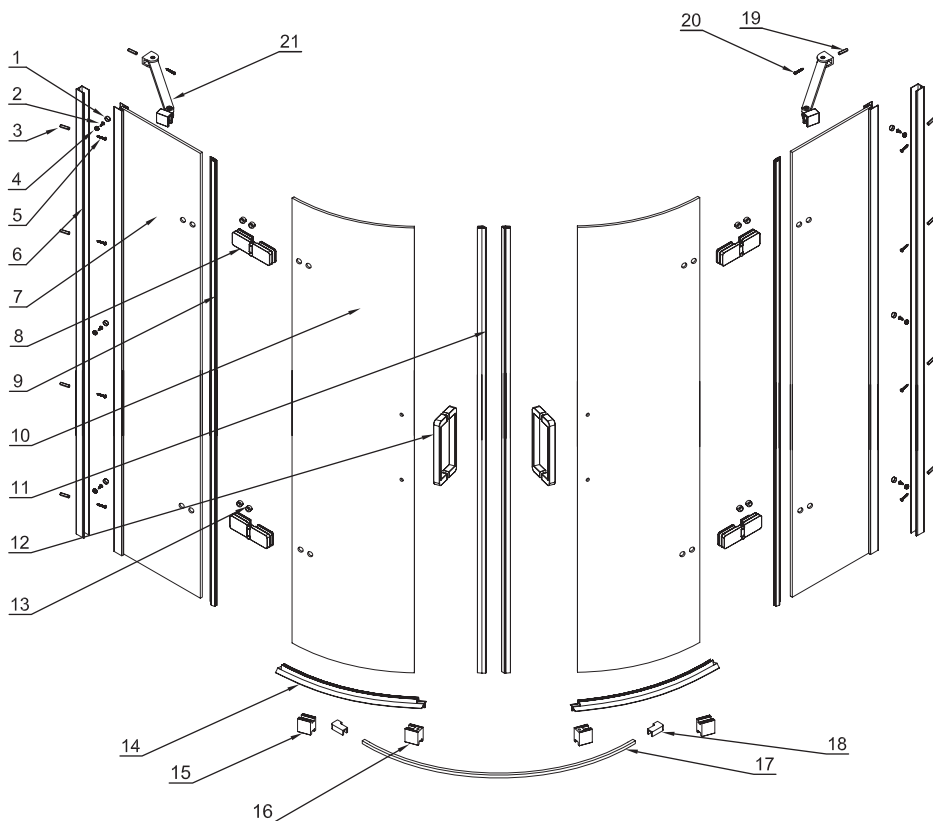
Glass is fragile, please pay great care when you move or install it and avoid bumping it into hard things. Place them upright but slightly aslant against the wall on the soft cushion after unpacking it. Any parts missing or damaged must be reported to your supplier within 3 days of purchase. Inspect shower enclosure before fitting. No claims will be acceptable after product has been installed.

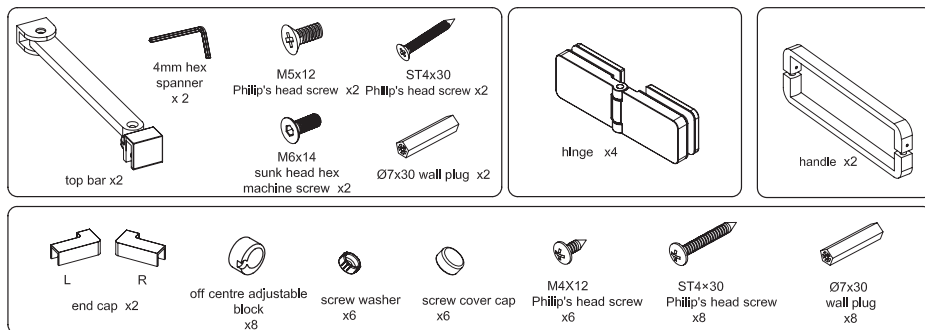
VOXORT

and water is so amazing

Contents

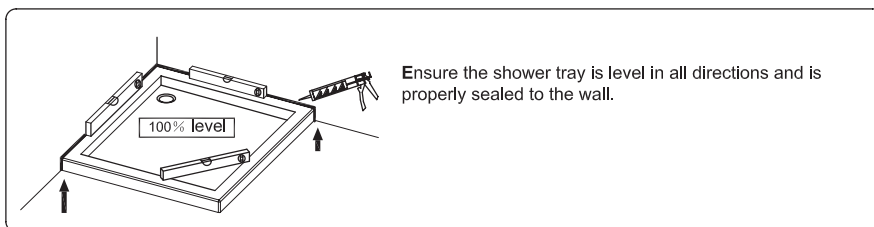
- | | | | |
|----|---------------------|----|-------------------------------|
| 1 | 6 screw cover caps | 11 | 2 magnetic seals |
| 2 | 6 M4x12 head screws | 12 | 2 handles |
| 3 | 8 wall plugs | 13 | 8 off centre adjustable block |
| 4 | 6 screw washers | 14 | 2 bottom water seals |
| 5 | 8 M4x30 head screws | 15 | 2 installation assistants A |
| 6 | 2 wall channels | 16 | 2 installation assistants B |
| 7 | 2 fixed panels | 17 | 1 bottom strip |
| 8 | 4 hinges | 18 | 2 end caps |
| 9 | 2 door water seals | 19 | 2 wall plugs |
| 10 | 2 doors | 20 | 2 ST4x30 head screws |
| | | 21 | 2 top bars |





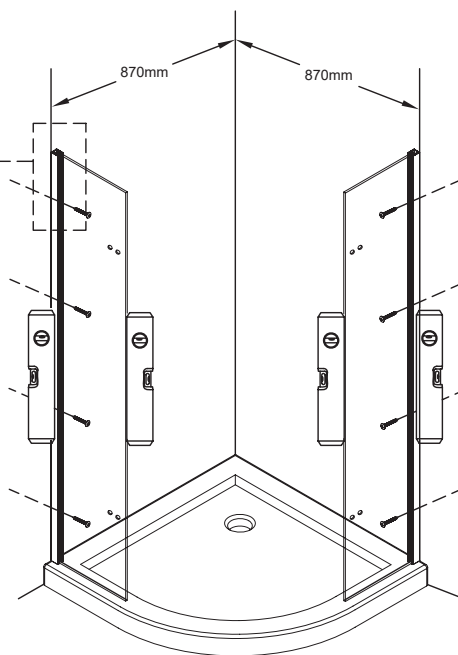
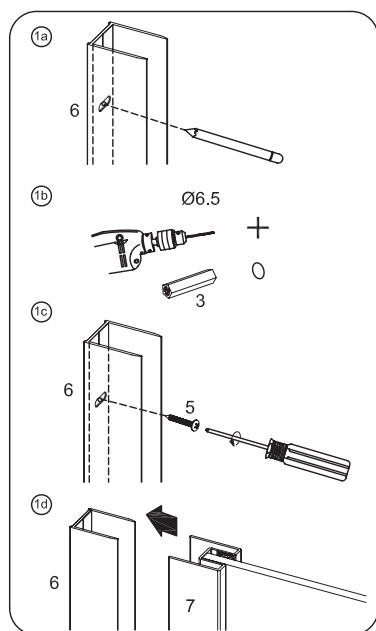
Installation

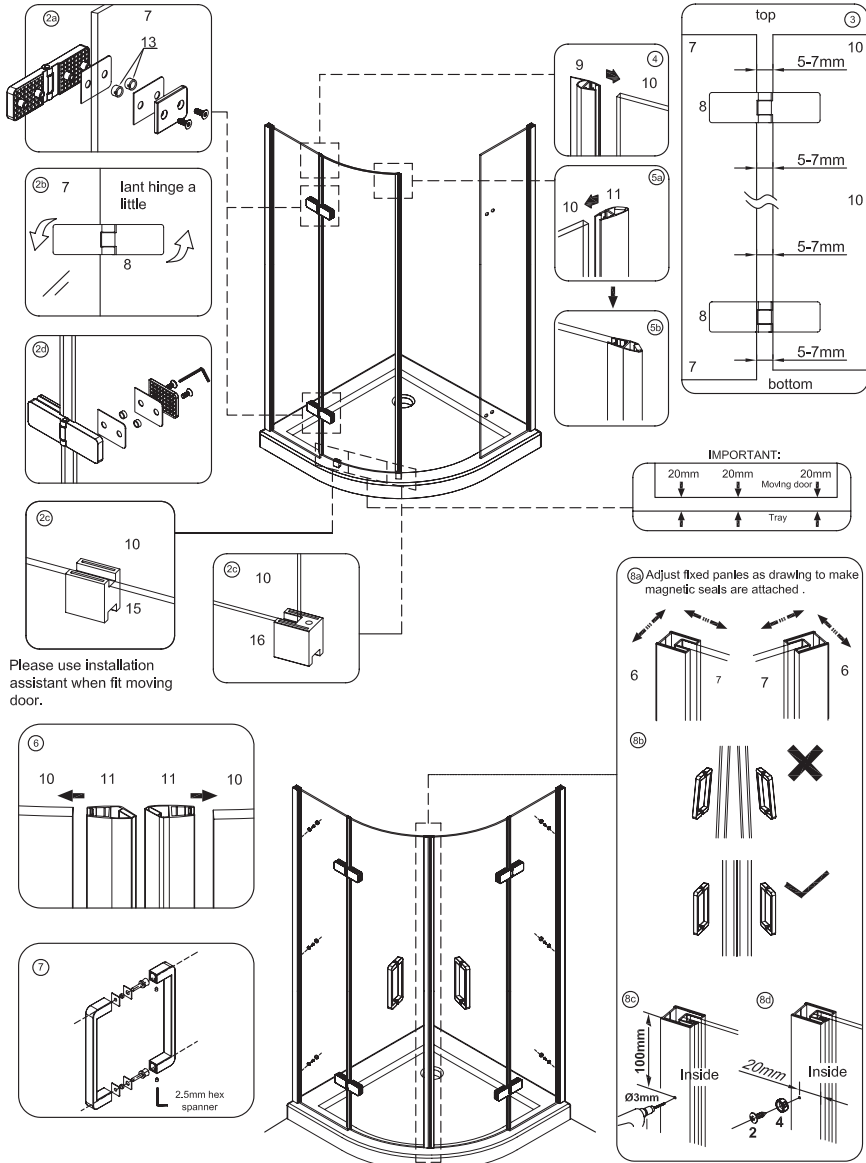
- 1 Ensure the top surface of the shower tray on which the enclosure will be installed is level in every direction.
- 2 The tiles or other wall finishing should be effectively sealed at tray edges.
- 3 Tiles should extend at least to the corner of the tray and a minimum of 2,1 meters from top of the tray



VOXORT

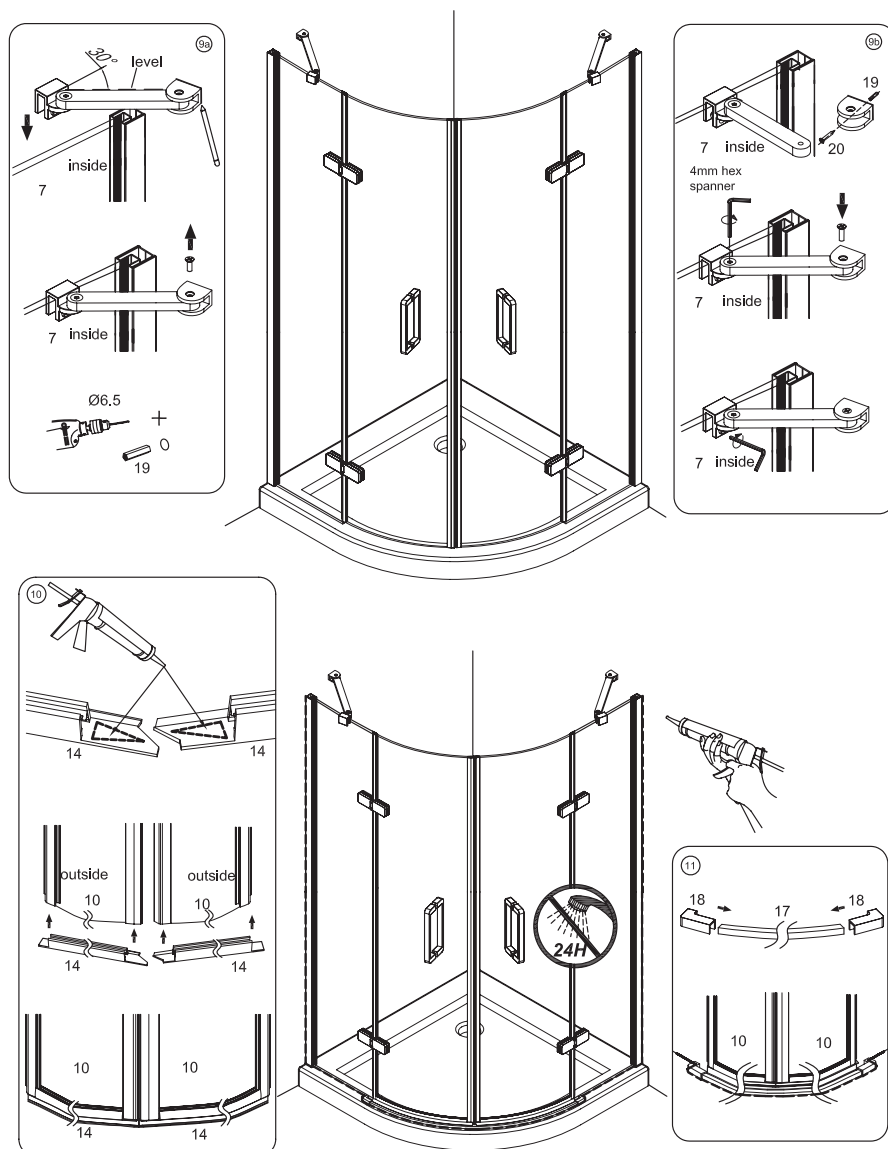
and water is so amazing





VOXORT

and water is so amazing



The frame drains internally. Silicone should only be applied on the outside and not to the inside of the frame.



Cleaning and maintenance

Maintain and clean your cabin regularly to prevent limescale and closing problems. Clean the shower enclosure with a soft cloth and a mild detergent. Do not clean the cabin with aggressive agents such as alcohol, petrol or other chemicals. If the doors are creaking after the cabin is installed, you can put lubricant on the wheel roller, profile.



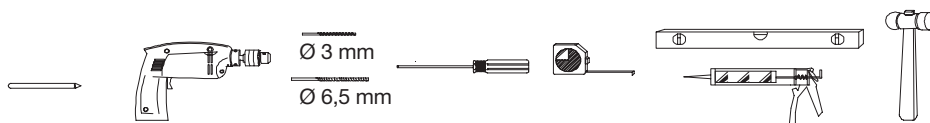
**UPUTE ZA MONTAŽU BLUE
PREMIUM KABINE
S PANTIMA**

**Prije ugradnje provjerite ugradne mjere
budući da se one uvijek razlikuju od
nazivnih. Apsolutno brtvljenje tuš kabina
i/ili vrata/stranica nije moguće. Srednja
vodonepropusnost.**

Prije postavljanja:

Molimo vas da se upoznate sa uputstvima prije početka.

- 1 Provjerite imate li sav potreban alat
- 2 Provjerite da li je prostor za montažu u skladu sa mjerama kabine.
- 3 Provjerite sve sastavne dijelove kabine.
- 4 Provjerite sve dijelove za montažu.
- 5 Potreban alat: električna bušilica; svrdla promjera 6.5 i 3; križni odvijač; obični odvijač; libela; olovka; plastični čekić; mjerna traka; silikonski sprej, precizni čekić, francuski ključ



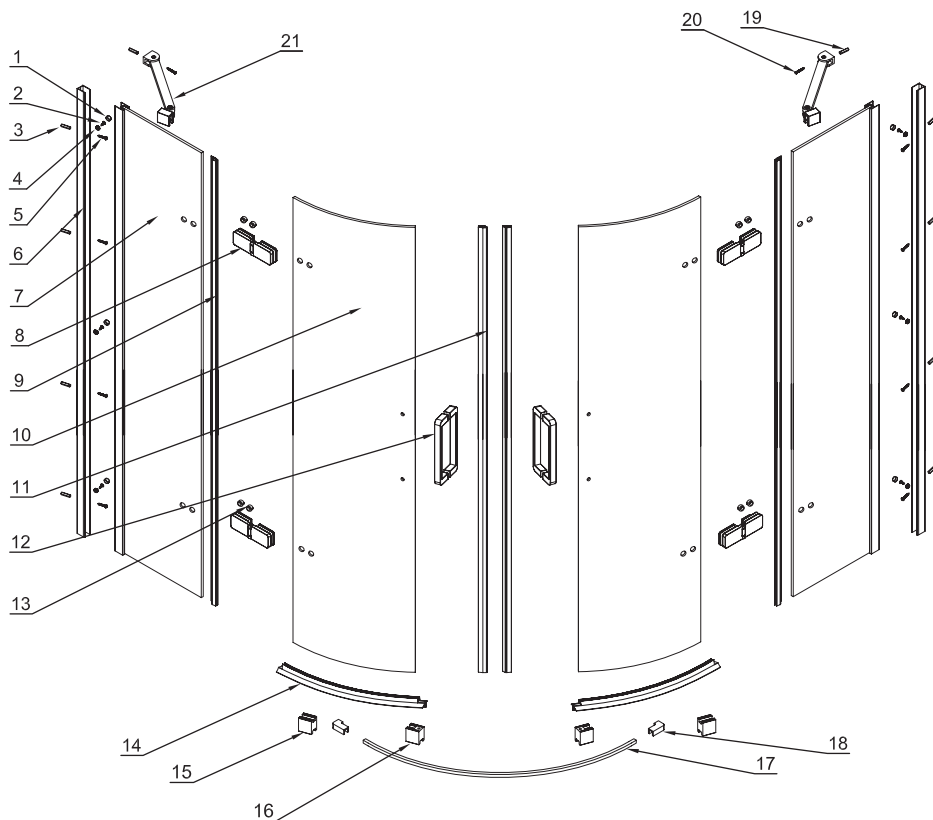
Osigurajte da nema problema sa sva 3 proizvoda ispod.

- Zidni ulošci koji se isporučuju sa priborom za montažu su za čvrste zidove. Šuplji ili montažni zahtjevaju drugačije uloške.
- Osigurajte da u zidu nisu skrivene cijevi i vodiči.
- Možda će biti potrebno konzultirati proizvođača pločica oko pravilnog načina bušenja.

Staklo je lomljivo, molimo vas da s njim rukujete jako oprezno te izbjegavate udarce o tvrde predmete. Odlazite ga uspravno na zid te podlažući nečim mekim nakon raspakiravanja. Svaki nedostatak ili oštećenje dijelova ili pribora mora biti prijavljeno dostavljaču unutar 8 dana od kupnje. Provjerite kabinu prije montaže. Reklamacije nakon postavljanja neće biti uvažene.

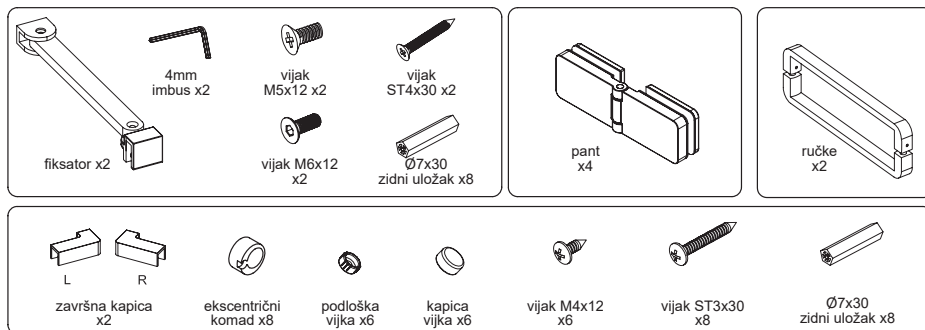
Sadržaj

- | | | | |
|----|-------------------|----|-------------------------|
| 1 | 6 kapica vijaka | 11 | 2 magnetne brtve |
| 2 | 6 M4x12 vijaka | 12 | 2 ručke |
| 3 | 8 zidnih uložaka | 13 | 8 ekscentričnih komada |
| 4 | 6 podloška vijaka | 14 | 2 donj brtve |
| 5 | 8 M4x30 vijaka | 15 | 2 podloška za montažu A |
| 6 | 2 zidna profila | 16 | 2 podloška za montažu B |
| 7 | 2 fiksna stakla | 17 | 1 prag |
| 8 | 4 panta | 18 | 2 završna kapica |
| 9 | 2 brtve za vrata | 19 | 2 zidna uloška |
| 10 | 2 vrata | 20 | 2 ST4x30 vijka |
| | | 21 | 2 fiksatora |



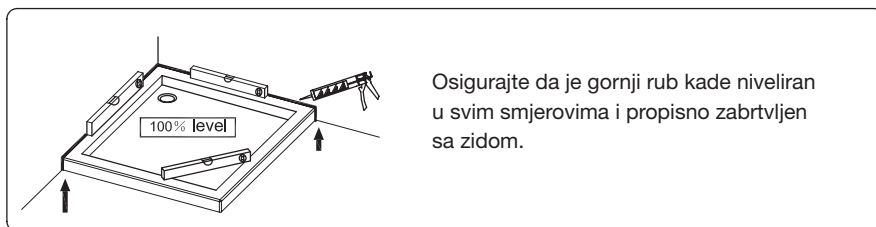
VOXORT

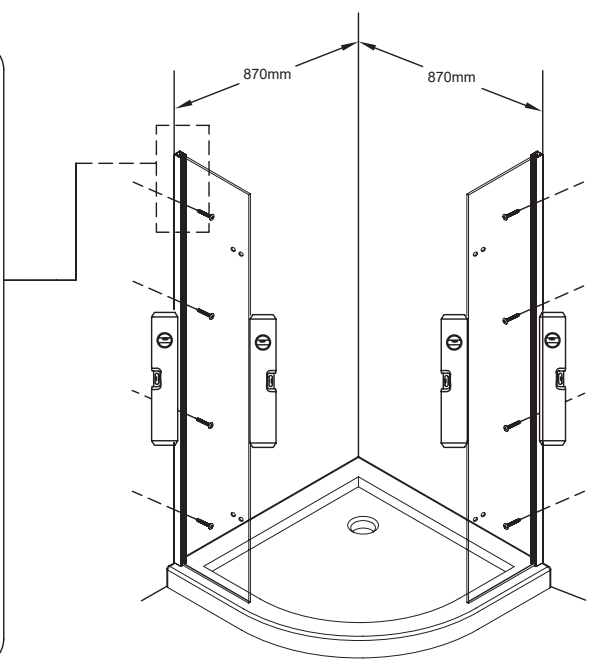
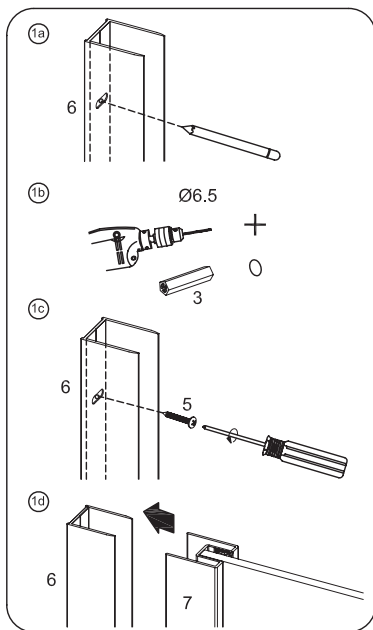
and water is so amazing



Instalacija

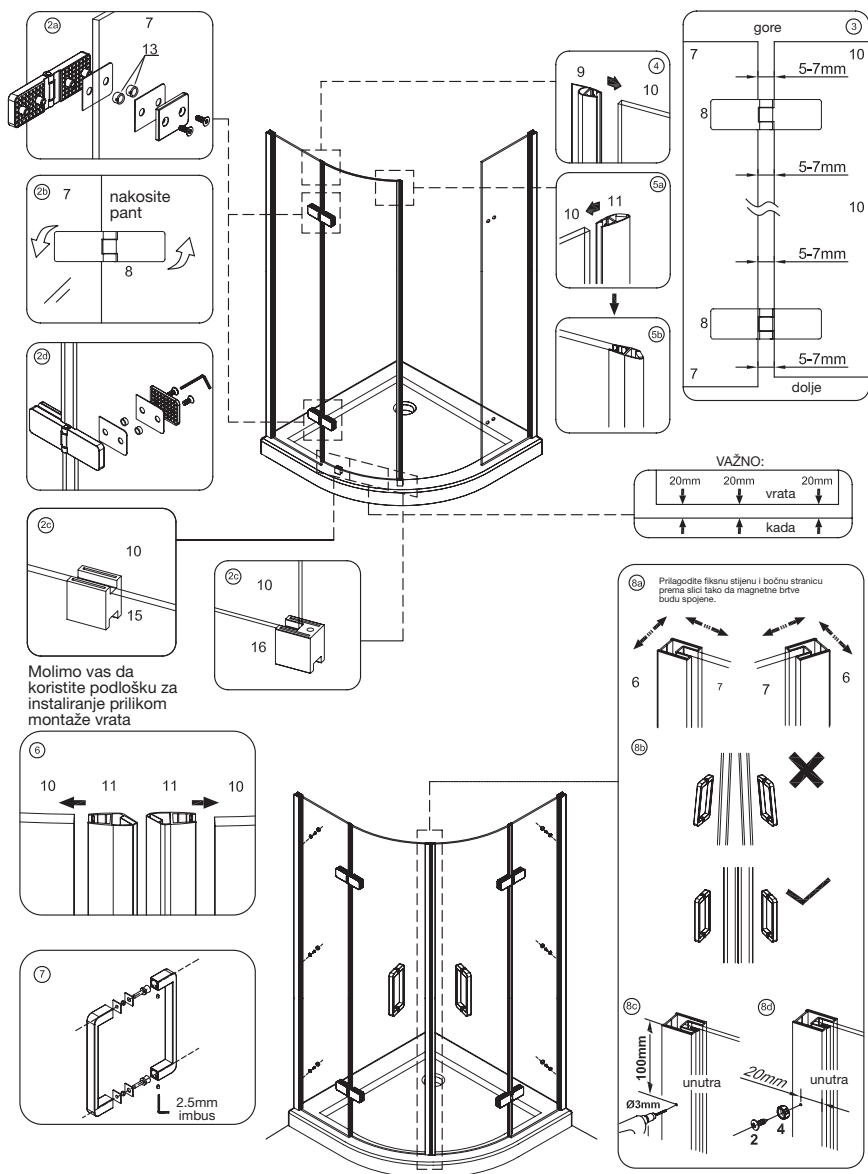
- 1 Osigurajte da je gornji rub kade niveliran u svim smjerovima.
- 2 Pločice ili neki drugi zidni pokrov mora biti zabrtvljen sa rubom kade.
- 3 Pločice moraju biti minimalno od ruba kade pa 2.1m prema gore.

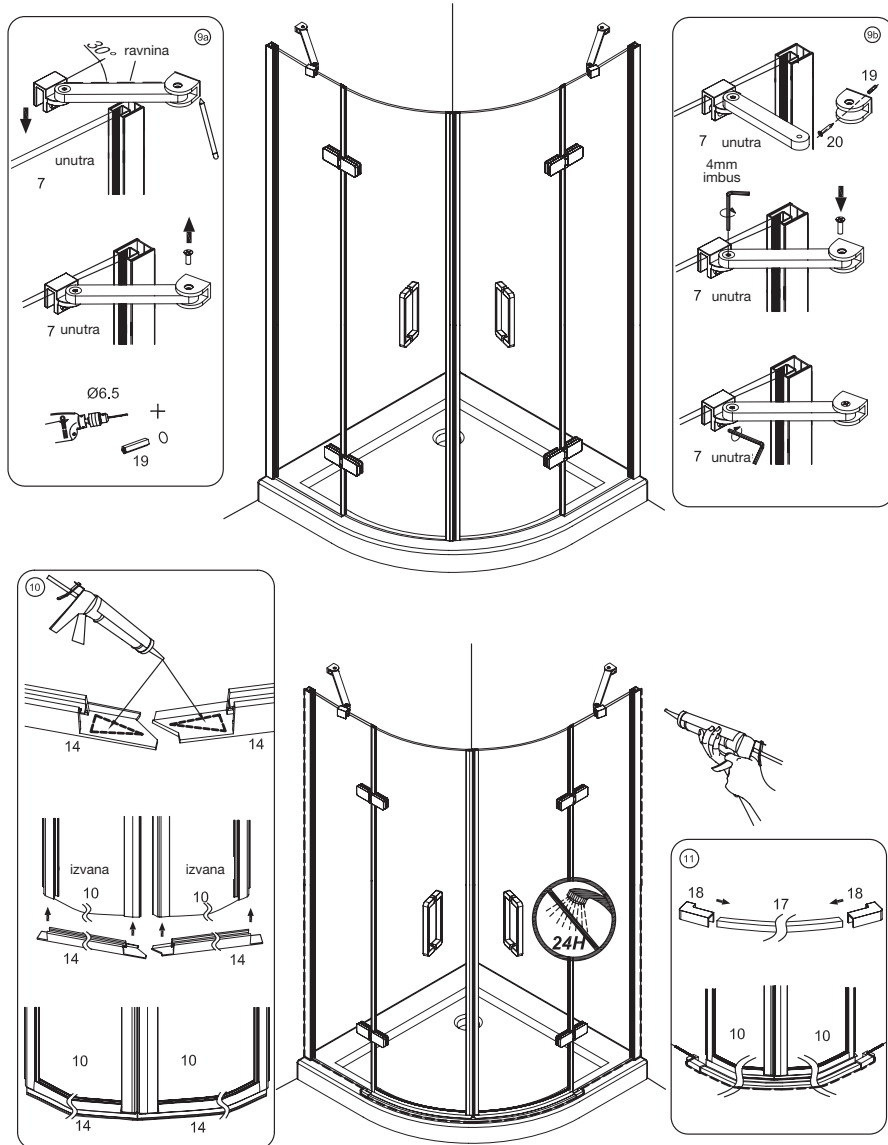




VOXORT

and water is so amazing





Silikon nanosite jedino sa vanjske strane okvira, nikako sa unutarnje.

Čišćenje i održavanje

Održavajte i čistite svoju kabinu redovito kako bi spriječili nastanak kamenca i problema prilikom zatvaranja. Čišćenje tuš kabine vršite s mekom krpom i blagim deterdžentom. Kabinu ne čistite s agresivnim sredstvima kao što su alkohol, benzin ili ostala kemijska sredstva. Nakon što je kabina postavljena ukoliko prilikom otvaranja/zatvaranja vrata škripe možete sredstvo za podmazivanje staviti na valjak kotača, profil.