

VOXORT

Installation instruction

Upute za montažu

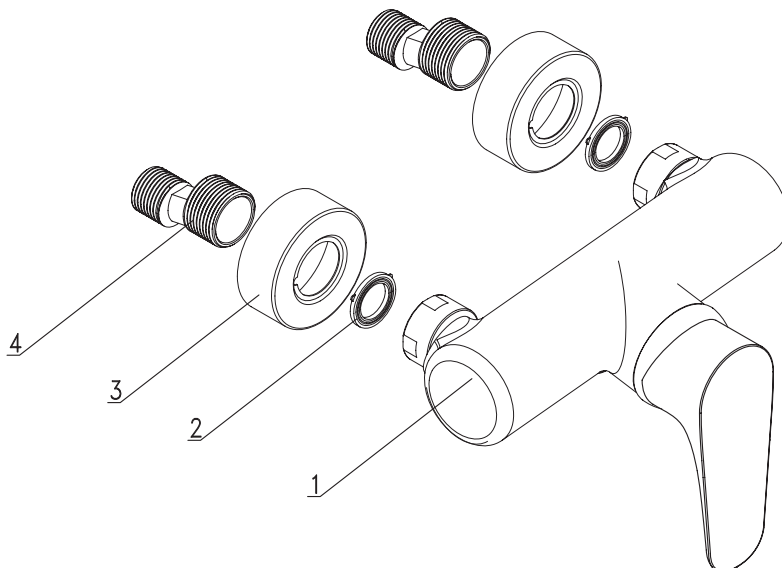
Navodila za montažo

DOLPHIN

VOXORT Shower mixer DOLPHIN 72700

VOXORT Miješalica za tuš DOLPHIN 72700

Order no / Šifra: N11143



EN – Mounting instruction

- 1.) screw the 2pcs eccentric connection (4) into the pipe which has been fixed in the wall.
- 2.) Put the 2pcs washer (2) into the hexagonal nut which has been fixed on the mixer body (1).
- 3.) Put the rosette (3) onto the eccentric connection (4), and then screw the hexagonal nut onto the eccentric connection (4) to fix the mixer body (1).

HR – Upute za montažu

- 1) Postavite 2 ekscentra (4) na zidne instalacije.
- 2) Zatim postavite brtve (2) u heksagonalnu maticu na miješalici (1)
- 3) Rozete (3) postavite na ekscentre (4). Učvrstite miješalicu (1) pomoću matice i ekscentra (4).

SLO – Navodila za montažo

- 1.) Na stenske instalacije postavite 2 ekscentra (4).
- 2.) Nato postavite tesnila (2) v šesterkotno matico na mešalniku (1).
- 3.) Rozete (3) postavite na ekscentre (4). Mešalnik (1) utrdite s pomočjo šesterkotne matice in ekscentra (4).

Fero-Term d.o.o.
Gospodarska 17,
10255 D. Stupnik, HR
Tel.+385 1 434 3116
info@fero-term.hr

Fero-Term - Slovenia
Kajuhova 32T
10000 Ljubljana, SLO
info@fero-term.si

Servis:
Fero-Term d.o.o.
Gospodarska 17,
10255 D. Stupnik, HR
01/ 434-3116
servis@fero-term.hr