

Logis E
Single lever shower mixer for exposed installation
 Finish: **Chrome** Article Number: **71602000**



Description

product features

- 1 function
- centre distance: 150 ± 12 mm
- maximum flow rate at 3 bar: 22 l/min
- flow rate of hand shower at 3 bar: 17 l/min
- ceramic cartridge
- temperature limitation adjustable
- non-return valve
- with silencer
- hose connection DN15
- connection dimension: DN15
- min. operating pressure: 1 bar
- max. operating pressure: 10 bar
- connection type: s-shaped connections
- PA-IX 28114/IB
- DVGW DW-6506CT0646
- ACS 21 ACC LY 858 France, valide jusqu'au 05.05.2026
- NF_375-M1-23-2
- WRAS 2206355
- WRAS 2206355 - Approval letter
- Belg 22-220-27_1

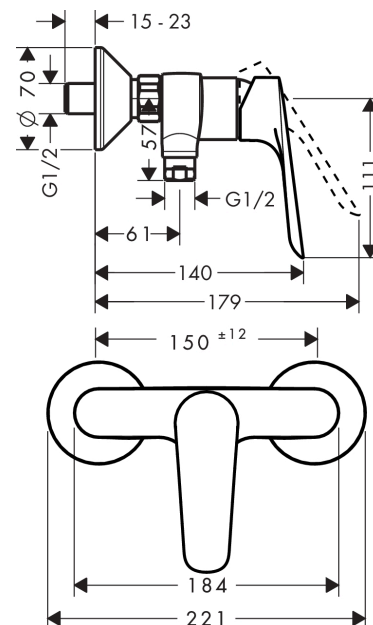
Certificates / Sustainability



Product image



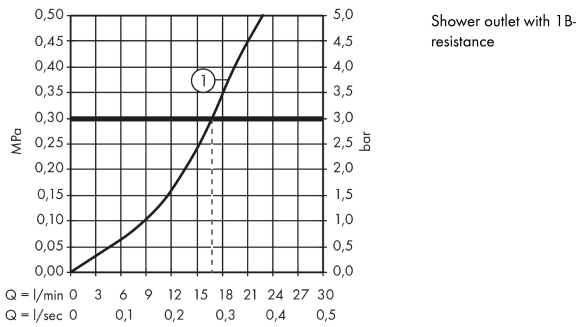
Scale drawing



Logis E
Single lever shower mixer for exposed installation
 Finish: **Chrome** Article Number: **71602000**



Flowchart

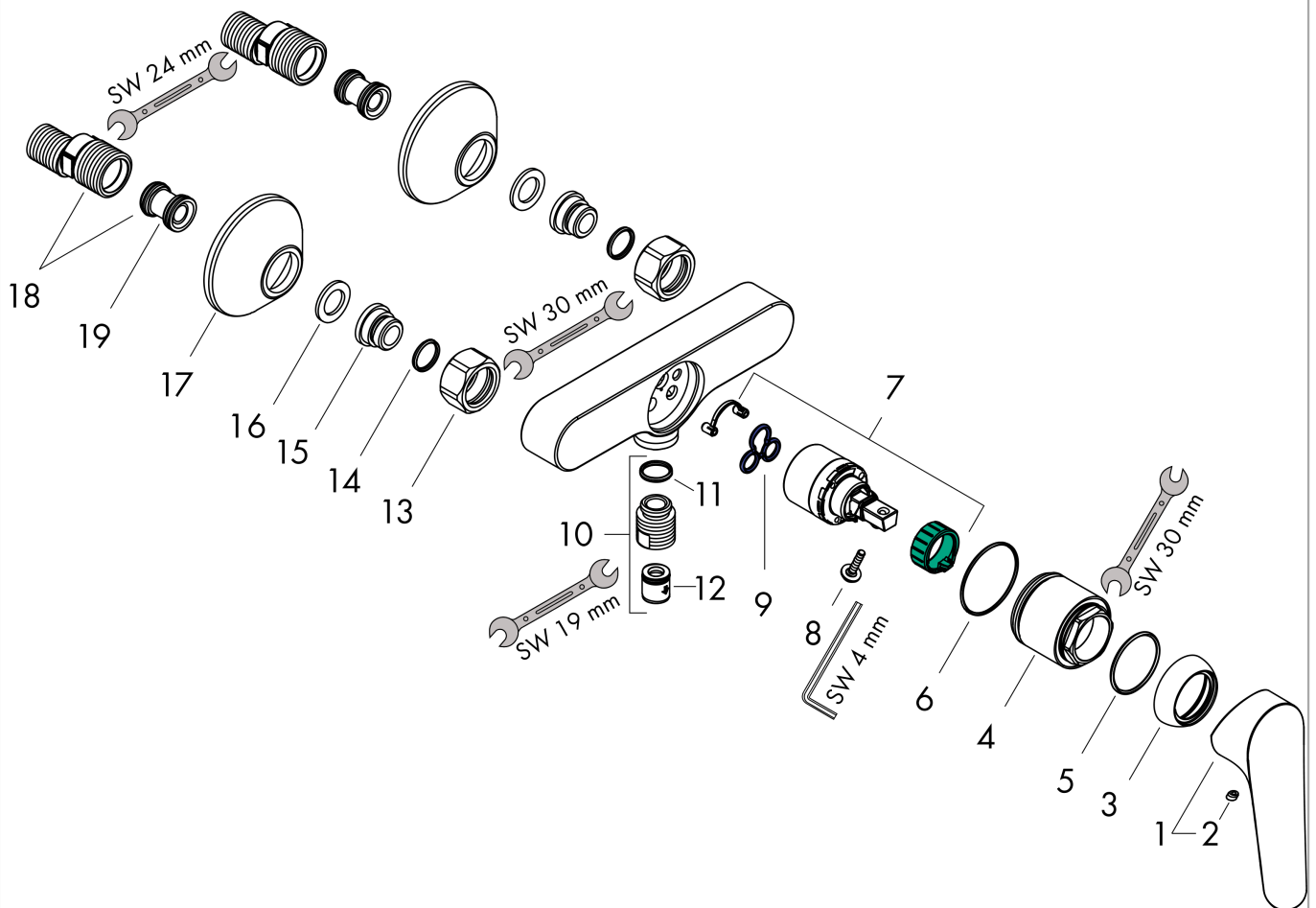


Logis E
Single lever shower mixer for exposed installation
 Finish: **Chrome** Article Number: **71602000**



Exploded Drawing

Year of production: >04/17



Logis E

Single lever shower mixer for exposed installation

Finish: **Chrome** Article Number: **71602000**



Spare part list

Year of production: >04/17

Pos.	Description	Article Number	PC	PU
1	handle	93024000	10	1
2	screw cover	96338000	1	1
3	flange	97406000	6	1
4	nut	97977000	9	1
5	O-Ring 32x2	98193000	1	1
6	O-ring 33x1,5	98164000	1	1
7	cartridge, assy	92730000	11	1
8	locking screw for handle	95140000	2	1
9	seal	95008000	3	1
10	Hose Connection	96044000	7	1
11	O-ring 14x2	98129000	1	1
12	set of non return valves DW 15	94074000	5	1
13	set of nuts	96157000	8	1
14	O-ring 15x2	98163000	1	1
15	connecting thread	97220000	5	1
16	filter packing	96922000	3	1
17	escutcheon Ø 70 mm	94135000	4	1
18	set of S-unions (±12 mm)	94140000	10	1
19	noise reduction	96429000	2	1