

## Focus

### Single lever bath mixer for exposed installation

Finish: **Chrome** Article Number: **31940000**



## Description

### product features

- 2 functions
- projection: 180 mm
- centre distance: 150 ± 12 mm
- spray type mixer: normal spray
- maximum flow rate at 3 bar: 19,8 l/min
- flow rate for bath spout at 3 bar: 19,8 l/min
- flow rate of hand shower at 3 bar: 15,4 l/min
- ceramic cartridge
- temperature limitation adjustable
- diverter with automatic resetting
- protected against backflow, according to DIN EN 1717
- with silencer
- suitable for continuous flow water heaters
- connection dimension: DN15
- connection type: s-shaped connections
- wall-mounted
- min. operating pressure: 1 bar
- max. operating pressure: 10 bar
- EPD Shower and Bath Faucets

## Technology



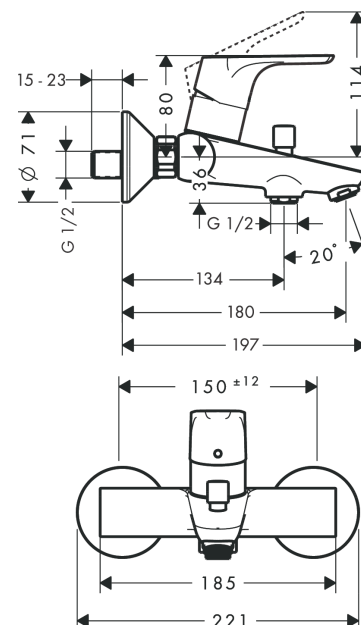
## Certificates / Sustainability



## Product image



## Scale drawing



**Focus**

**Single lever bath mixer for exposed installation**

Finish: **Chrome** Article Number: **31940000**



**Flowchart**

