

Potable water expansion vessels for use in domestic and commercial sealed chilled and hot water systems.

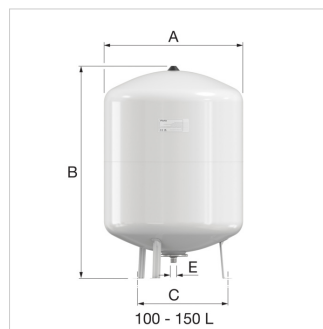
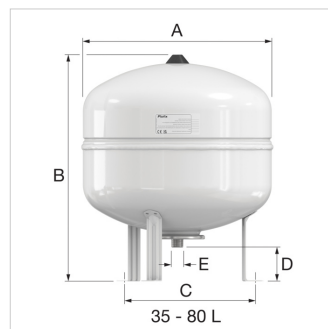
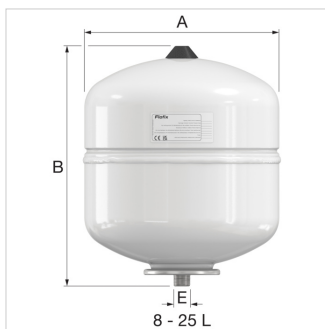



Advantages

- Nitrogen gas filling for longer retention of pre-pressure.
- The thread of the system connection is uncoated, ensuring problem free connection.

Technical Specifications

- Maximum working pressure: 10 bar.
- Vessels in accordance with EN13831.
- Suitable for systems with a maximum system temperature of 120 °C.
- Min./ max. temperature diaphragm: 70 °C.
- All welded construction.
- Stainless steel flange.
- Diaphragm: EPDM.
- Suitable for addition of glycol-based anti-freeze up to 50%.
- In accordance with Pressure Equipment Directive 2014/68/EU.
- White (RAL 9010) epoxy powder coating.
- Flofix 35 - 150: Standard equipped with legs.



Type	Capacity [l]	Max. working pressure [bar]	Pre-charge [bar]	Dimensions				Syst. conn. (E)	Weight [kg]		Order Code
				A [mm]	B [mm]	Ø C [mm]	D [mm]				
Flofix 8 - 4.0 bar	8	10	4.0	235	272	-	-	G $\frac{3}{4}$ " M	3.0	120	25290
Flofix 12 - 4.0 bar	12	10	4.0	235	363	-	-	G $\frac{3}{4}$ " M	3.3	90	25291
Flofix 18 - 4.0 bar	18	10	4.0	290	375	-	-	G $\frac{3}{4}$ " M	4.7	60	25292
Flofix 25 - 4.0 bar	25	10	4.0	290	479	-	-	G $\frac{3}{4}$ " M	5.8	48	25293
Flofix 35 - 4.0 bar	35	10	4.0	390	482	330	70	G $\frac{3}{4}$ " M	9.8	24	25294
Flofix 50 - 4.0 bar	50	10	4.0	390	607	330	70	G $\frac{3}{4}$ " M	11.1	15	25295
Flofix 80 - 4.0 bar	80	10	4.0	390	854	330	70	G $\frac{3}{4}$ " M	13.8	15	25296
Flofix 100 - 4.0 bar	100	10	4.0	550	630	440	70	G $\frac{3}{4}$ " M	16.5	8	25277
Flofix 150 - 4.0 bar	150	10	4.0	550	837	440	70	G $\frac{3}{4}$ " M	22.0	8	25278



Find more information online:

[Installation and operating instruction](#)

[Declaration of conformity PED 2014/68/EU](#)

[PED Module D](#)

[PED Module D1](#)

[EU Declaration of Conformity Module A](#)

[Flofix 8-150 ACS certificate](#)

[Catalogue as PDF](#)

[Packaging data](#)