

VL1.40 P, VL1.55 P, VL1.42, VL1.55, VL1.105

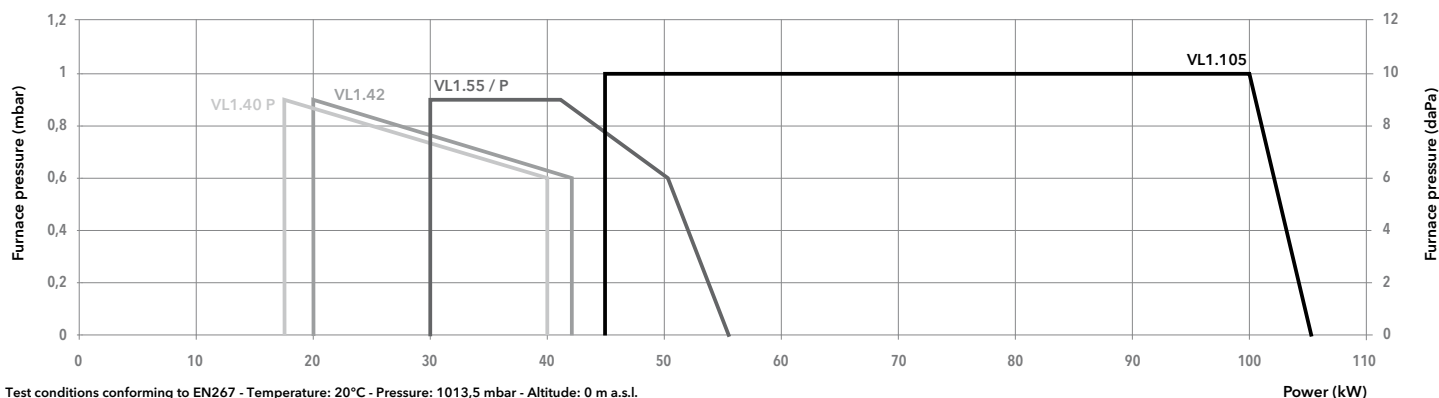
18 ... 105 kW

1 stage (ErP compliant)

- **Fuel:** light oil (viscosity 6 mm²/s at 20°C, H_u = 11,86 kWh/kg)
- **Emissions:** compliant with ErP Directive
- **Protection level:** IP 21



TECHNICAL DATA



Test conditions conforming to EN267 - Temperature: 20°C - Pressure: 1013,5 mbar - Altitude: 0 m a.s.l.

Model	VL1.40 P *	VL1.55 P *	VL1.42	VL1.55	VL1.105	
Operation range	18 - 40 kW	30 - 55 kW	20 - 42 kW	30 - 55 kW	45 - 105 kW	
Fuel flow	1,5 - 3,3 kg/h	2,5 - 4,6 kg/h	1,7 - 3,5 kg/h	2,5 - 4,6 kg/h	3,8 - 8,8 kg/h	
Nozzle	0,50 US gal/h 60°S	1,00 US gal/h 45°S	0,60 US gal/h 60°S	1,00 US gal/h 45°S	1,25 US gal/h 45°S	
Control box / flame detection	TCH 141.03 / QRB1					
Fan motor	230 V - 50 Hz - 110 W					
Electrical consumption	244 W	244 W	195 W	195 W	240 W	
Flexible hoses	Rp 3/8" / M14 x 1,5 - 1000 mm					
Acoustic level (LpA)	55 dB(A)	55 dB(A)	55 dB(A)	55 dB(A)	60,5 dB(A)	
Head lenght	KN	KN	KN	KN	KN	KL
Complete burner code	3832615	3833026	3832616	3832617	3836898	3836899

*: pre-heater

OTHER AVAILABLE VERSIONS

Versions for continuous ventilation and post-ventilation

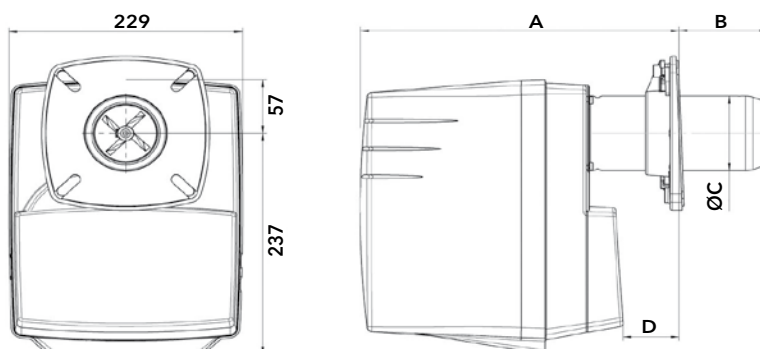
SCOPE OF SUPPLY

The burner is delivered in its package complete with:

- 1 burner flange with insulation
- 1 bag containing installation fittings
- 1 bag containing technical documentation (instruction manual, technical data, electrical diagram, exploded view and spare parts list)



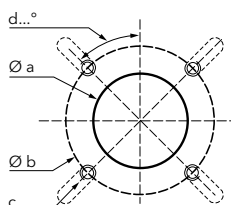
DIMENSIONS (mm)



	A		B			ØC	D	
	min	max	min	KN max	KL max		min	max
VL1.40 P	270	310	70	120	-	80	21	71
VL1.42	270	310	70	120	-	80	21	71
VL1.55	270	310	70	120	-	80	21	71
VL1.55 P	270	310	70	120	-	80	21	71
VL1.105	297	357	70	138	200	90	15	83

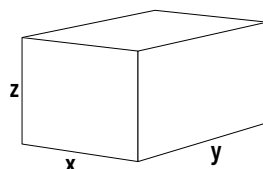
Connecting flange

Model	Øa (mm)	b (mm)	c	d
VL1.40/55	85-104	150-170	M8	45°
VL1.105	95-104	150-170	M8	45°



PACKAGING

The burner is delivered in 1 single package containing all components



Burner	Dimensions (mm)			Gross weight (kg)
	X	Y	Z	
VL1.40 P	300	260	650	11
VL1.42	300	260	650	11
VL1.55	300	260	650	11
VL1.55 P	300	260	650	11
VL1.105	300	260	650	12