

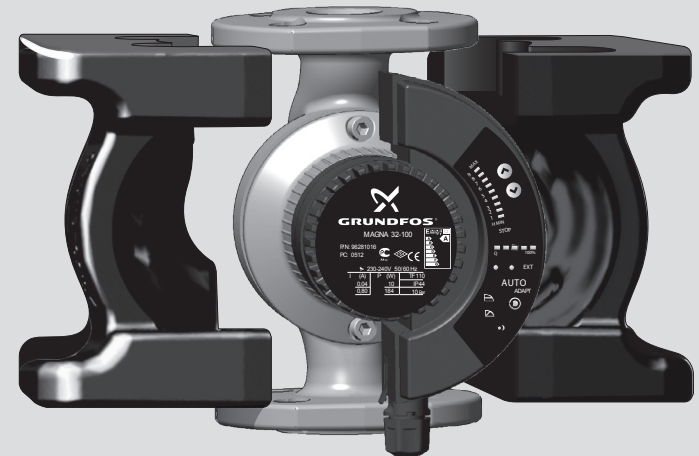
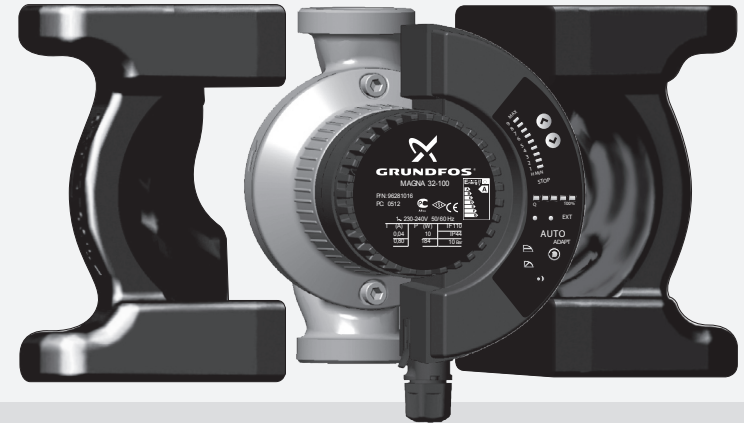
96281042 0910
Repl. 96281042 1009
ECM:1064671

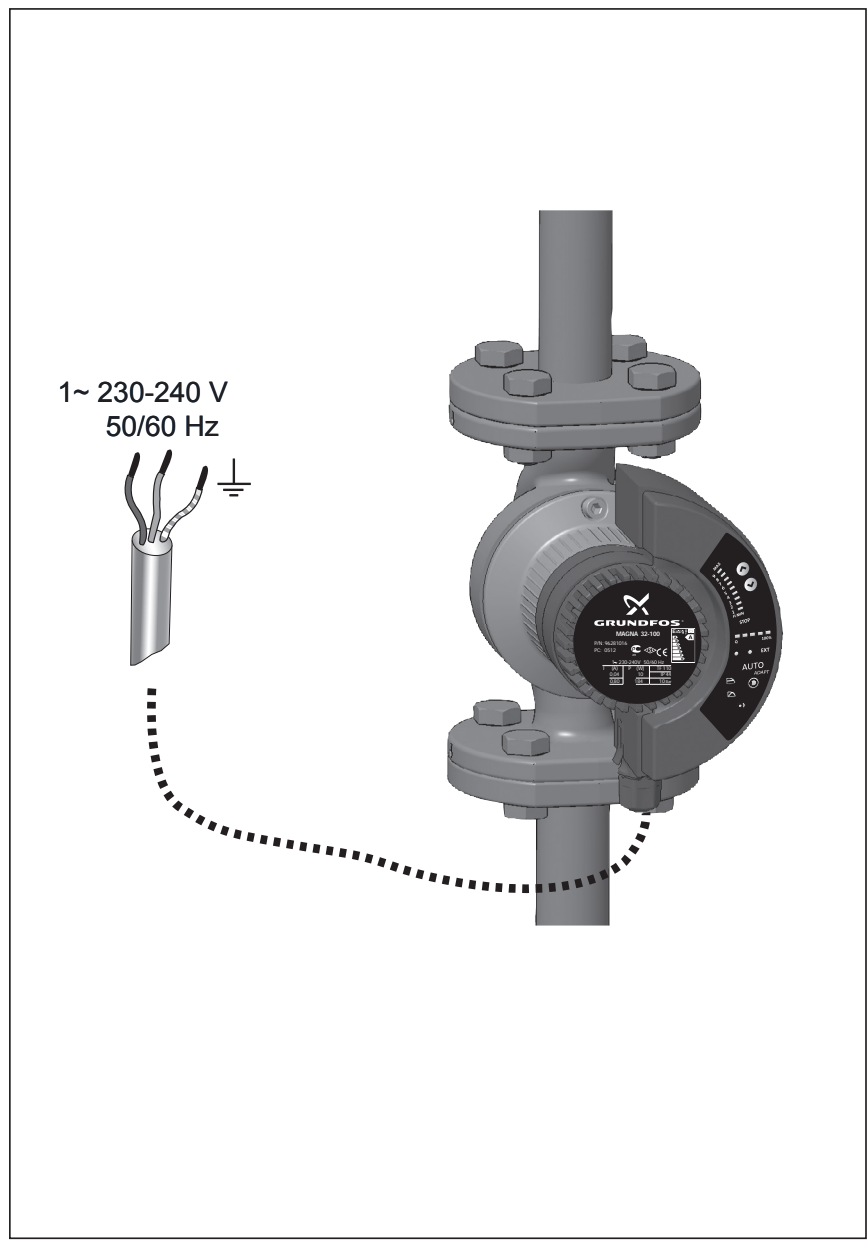
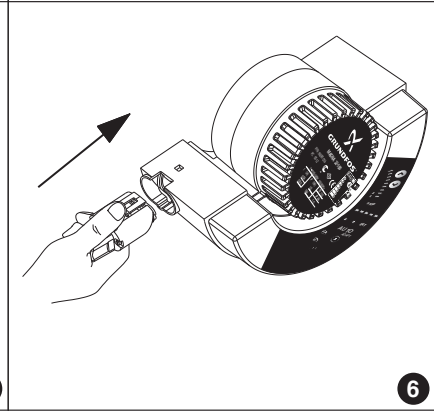
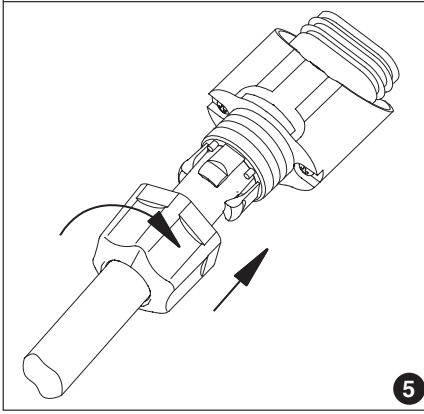
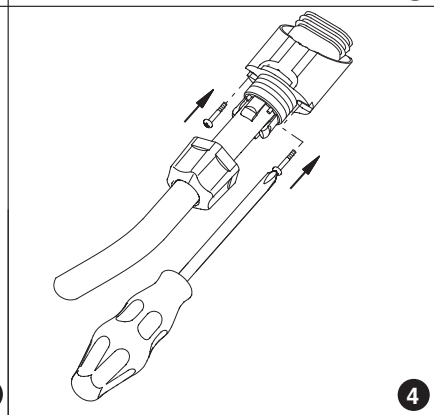
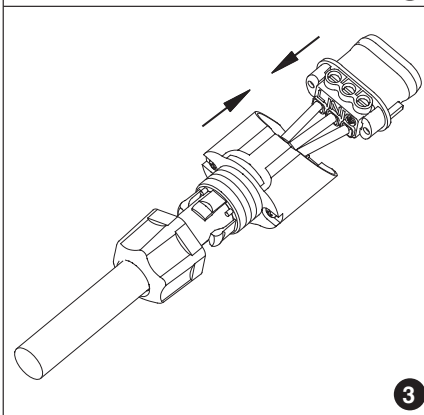
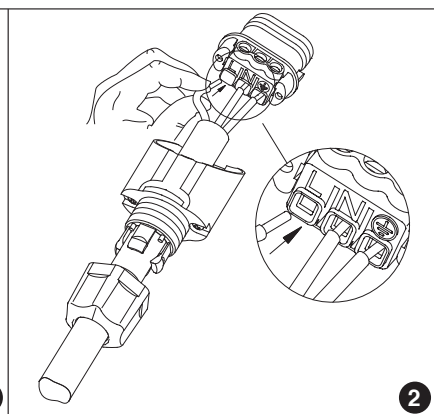
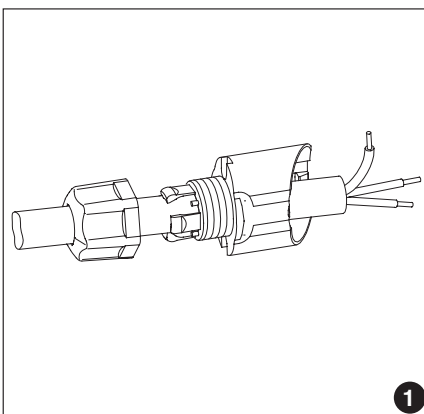
The name Grundfos, the Grundfos logo, and the payoff Be-Think-Innovate are registered trademarks owned by Grundfos Management A/S or Grundfos A/S, Denmark. All rights reserved worldwide.

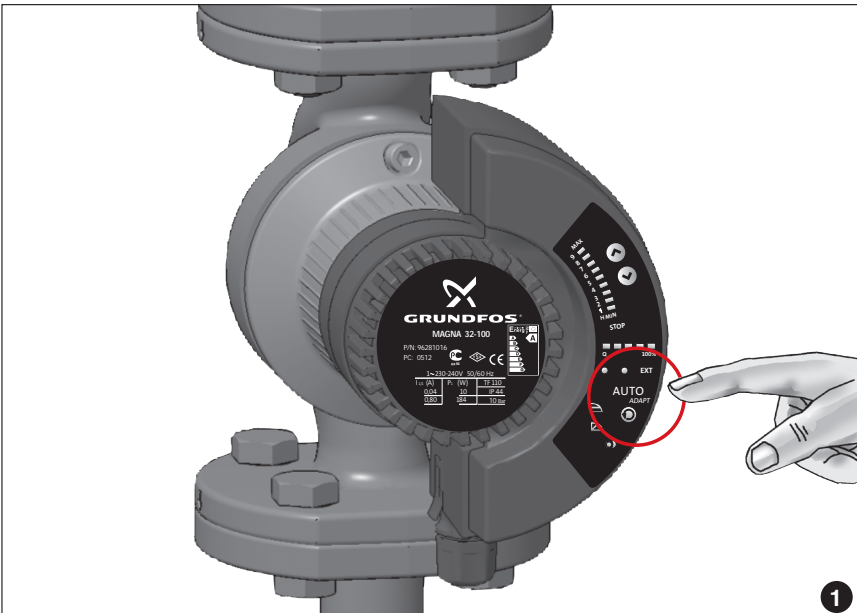
MAGNA

Series 2000

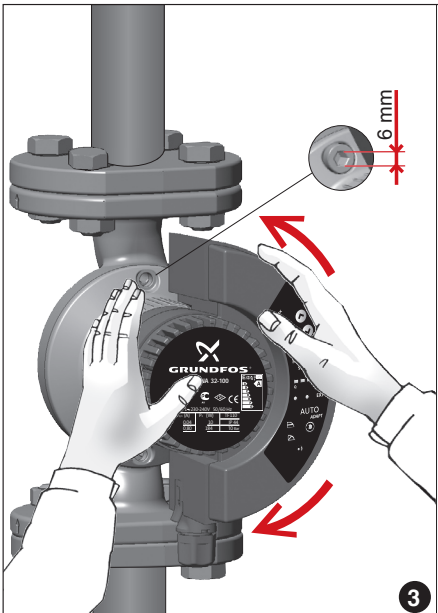
25-40/-60/-80/-100, 32-40/-60/-80/-100, 40-60/-80/-100 (D), 50-100



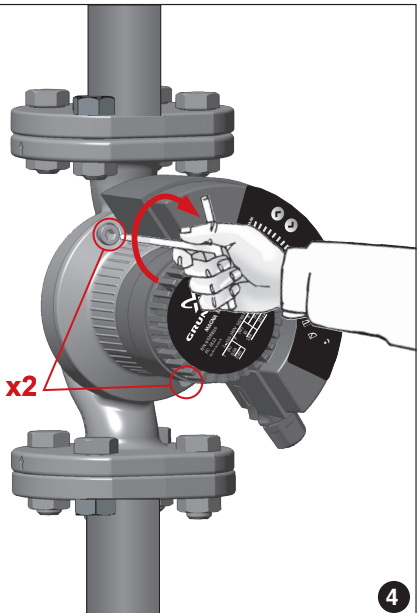




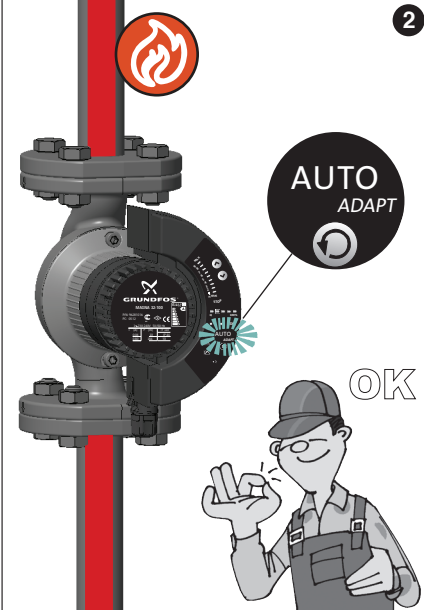
1



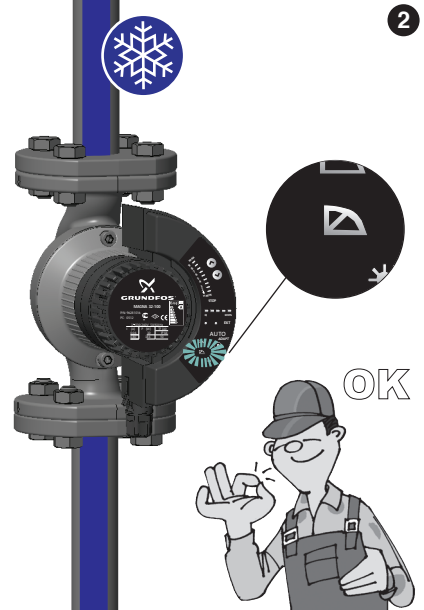
3



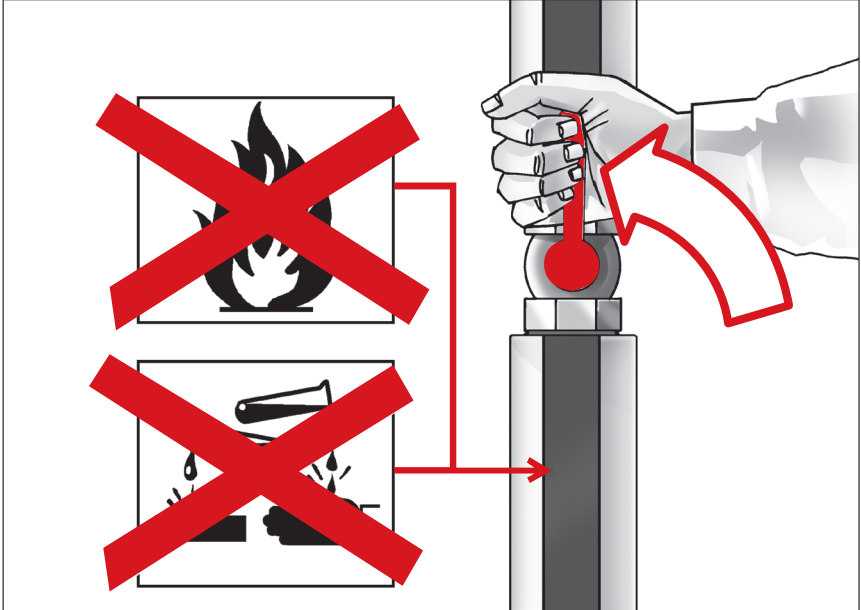
4



2



2



3



6