



Braukmann FR124

Combustion regulator
for solid fuel and multi-fuel boilers

APPLICATION

The FR124 combustion regulator opens and closes the air intake flap of solid fuel boilers in proportion to the flow temperature.

SPECIAL FEATURES

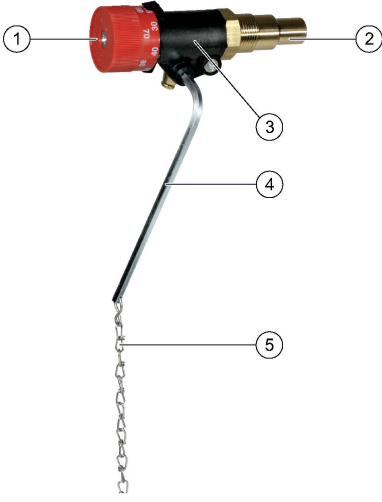
- Design tested to EN 14597 (Test No. FR1087)
- Scale for horizontal and vertical installation
- Supplied with 120 mm lever rod and chain
- Compact construction



TECHNICAL DATA

Connections/Sizes	
Connection size:	3/4"
Nominal size:	DN20
Operating temperatures	
Max. ambient temperature:	70 °C
Max. sensor temperature:	115 °C
Setting range:	30 - 90 °C
Specifications	
Chain length:	1.2 m
Chain load:	100 - 600 g (Standard version), 400 - 1000 g (Reinforced version)
Tube length:	53 mm
	For solid fuel and multi-fuel heating installations to EN 12828

CONSTRUCTION

Overview	Components	Materials
	1 Adjustment knob	High-quality synthetic material
	2 Immersion pocket	Brass
	3 Housing	High-quality synthetic material
	4 Lever rod	Galvanized steel
	5 Chain	Galvanized steel
Not depicted components:		
	Spring	Spring steel
	Thermal element	-

METHOD OF OPERATION

The combustion regulator controls combustion by adjusting the supply of air to a boiler. The intergral thermostat measures the temperature in the heat generator and in relationship to the temperature regulates a lever with chain linkage to control the air inlet to the solid fuel boiler by opening or closing the air flap.

TRANSPORTATION AND STORAGE

Keep parts in their original packaging and unpack them shortly before use.

The following parameters apply during transportation and storage:

Parameter	Value
Environment:	clean, dry and dust free
Min. ambient temperature:	5 °C
Max. ambient temperature:	55 °C
Min. ambient relative humidity:	25 % *
Max. ambient relative humidity:	85 % *

*non condensing

INSTALLATION GUIDELINES

Installation Example

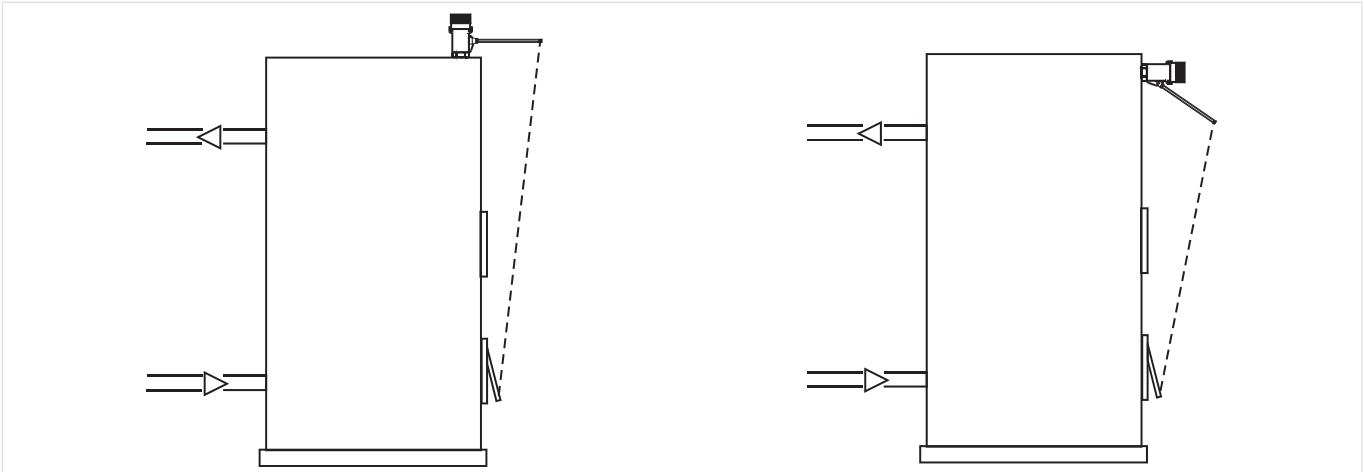
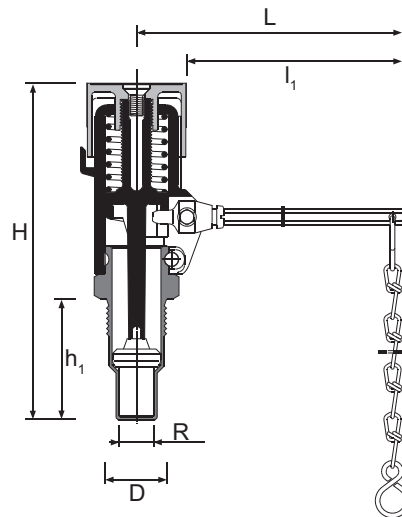


Fig. 1 Standard installation example for the combustion regulator

DIMENSIONS

Overview



Parameter		Values
Connection size:	R	3/4"
Dimensions:	H	149
	h ₁	53
	L	177
	l ₁	155
	D	23.9
Weight:	kg	0.46

Note: All dimensions in mm unless stated otherwise.



Manufactured for
and on behalf of
Pittway Sàrl, Z.A., La Pièce 4,
1180 Rolle, Switzerland
by its authorised representative
Ademco 1 GmbH

For more information
homecomfort.resideo.com/europe

Ademco 1 GmbH, Hardhofweg 40,
74821 MOSBACH, GERMANY

Phone: +49 6261 810
Fax: +49 6261 81309